

# ACM pureAir 750

## Mobile Unit For Active Air Purification



### Key Features

- Easy to install solution for commercial service vehicles that actively purifies the air without requiring existing ductwork.
- Active air purification operates 24/7 and recreates natural processes to reduce odors caused by bacteria, mold, and more.
- It does not require frequent air filter replacements; regular cleaning and annual replacement of ARC® Cell and MERV filter ensures long term operation.

### Electrical

- Input Voltage: 24VDC
- Operating Wattage: 12.9W
- Operating Amperage: 0.53A

### Mounting

- Mobile unit can be surface mounted inside buses, motor coaches, or service vehicles.

### Technology

- Active Radiant Catalysis (ARC®), the proprietary Photocatalytic Oxidation (PCO) technology, uses energy to activate a catalyst, turning moisture into products that continuously clean the space.
- Integrated ARC® Cell utilizes a proprietary germicidal UVC lamp to produce the catalytic reaction.
- Ionization creates a plasma of electrical charges that diminishes odors from pets, cooking, and smoking.
- Unlike passive filters that affect only air that passes through them, active air purification projects to the sources of pollution to remove odors and airborne particles.

### Warranty

- Product is backed by the manufacturer's two-year warranty.

### Product Overview

Support occupant health and well-being with proven air purification solutions from US LED. Our active air purification products recreate the same processes in nature, safely destroying harmful viruses, bacteria, mold, odors, and other pathogens. Unlike passive filters that affect only air that passes through them, this air purification system projects purifying solutions to the sources of pollution, continuously reducing odors and airborne particles.

Utilizing a proprietary form of photocatalytic oxidation called Active Radiant Catalysis (ARC®), the in-duct solution uses energy to activate a catalyst that turns moisture into effective advanced oxidation products (AOPs). These AOPs continuously sanitize the air and surfaces, actively destroying microbes and rendering contaminants harmless. After creating a plasma of positive and negative charges, ionization removes allergens and other harmful pathogens from the breathing space, either by pushing them away or causing them to clump together and fall to the floor.

### Product Applications

- Commercial Service Vehicles
- School Buses
- Motor Coaches

### Ordering Information

Example: ACM

Series

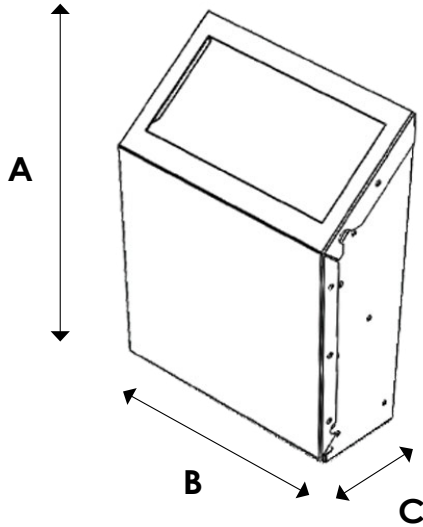
**ACM** Mobile Mount Unit For Vehicles

1. Additional pureAir HVAC units are recommended in the Return Plenum for added protection and to help keep the internal HVAC parts clean.

# ACM pureAir 750

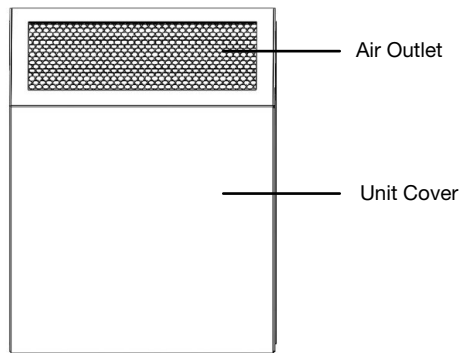
Mobile Unit For Active Air Purification

## Product Dimensions

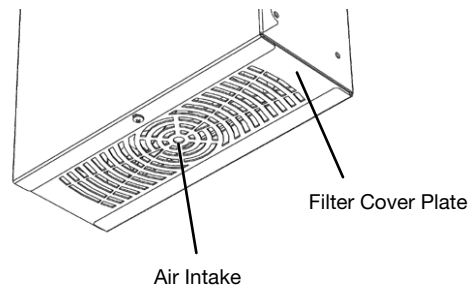


pureAir 750 Model	Height (A)	Width (B)	Depth (C)	Net Weight
ACM	10.25 in.	8.00 in.	3.25 in.	2.3 lb.

Unit Front View



Unit Bottom View



## Product Coverage

### To Use This Product Correctly:

Read all instructions carefully in the User Manual be purifier. For more information about the air purification technology, please visit [www.usled.com](http://www.usled.com).

pureAir 750 Model	Airflow	Square Footage Coverage*
ACM	70 Cubic Feet Per Minute	Up to 750 ft <sup>2</sup>

\*Depending on variables such as the severity and frequency of pollution, flow of air in the environment, humidity, and temperature.