



## IMPORTANT SAFETY WARNINGS



**THE INSTALLATION MUST ONLY BE PERFORMED BY A LICENSED ELECTRICIAN. TO PREVENT DEATH, INJURY OR DAMAGE TO PROPERTY, THIS PRODUCT MUST BE INSTALLED IN ACCORDANCE TO NATIONAL ELECTRIC CODE (NFPA70) IN THE US OR CANADIAN ELECTRICAL CODE (CSA22.1) IN CANADA.**

*L'INSTALLATION NE DOIT ÊTRE EFFECTUÉE QUE PAR UN ÉLECTRICIEN AGRÉÉ. POUR PRÉVENIR LES DÉCÈS, LES BLESSURES OU LES DOMMAGES MATÉRIELS, CE PRODUIT DOIT ÊTRE INSTALLÉ CONFORMÉMENT AU CODE NATIONAL DE L'ÉLECTRICITÉ (NFPA70) AUX USA OU CODE CANADIEN DE L'ÉLECTRICITÉ (CSA22.1) AU CANADA.*

**CONSULT A QUALIFIED ELECTRICIAN TO ENSURE CORRECT BRANCH CIRCUIT CONDUCTOR.**

*CONSULTER UN ÉLECTRICIEN QUALIFIÉ POUR VOUS ASSURER QUE LES CONDUCTEURS DE LA DÉRIVATION SONT ADÉQUATS.*

**SUITABLE FOR WET LOCATIONS. SUITABLE FOR OPERATION IN AMBIENT NOT EXCEEDING 50°C (122°F).**

*CONVIENT AUX ENDROITS HUMIDES. PEUT ÊTRE UTILISÉ À UNE TEMPÉRATURE AMBIANTE N'EXCÉDANT PAS 50°C (122°F).*

**VAPOR BARRIER MUST BE SUITABLE FOR 90°C (194°F). ACCESS ABOVE CEILING REQUIRED.**

*LE PARE-VAPEUR DOIT CONVENIR POUR 90 °C (194°F). ACCÈS REQUIS AU-DESSUS DU PLAFOND.*

**CAUTION – RISK OF FIRE. MIN 75°C (167°F) SUPPLY CONDUCTORS.**

*ATTENTION – RISQUE D'INCENDIE. LES FILS D'ALIMENTATION 75°C (167°F) MIN.*

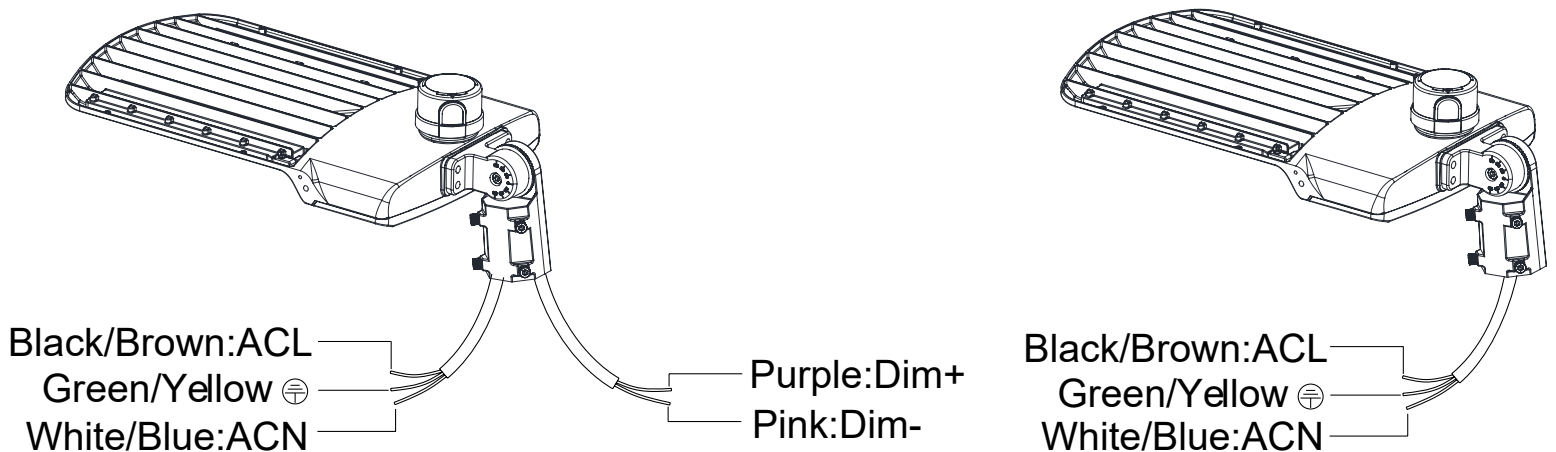
- To reduce the risk of death, personal injury or property damage from fire, electric shock, falling parts, cuts/abrasions, and other hazards please read all warnings and instructions included with and on the fixture box and all fixture labels.
- Follow all manufacturer's warnings, recommendations and restrictions for: driver type, burning position, mounting locations/methods, replacement and recycling.
- Wear gloves and safety glasses at all times when removing luminaire from carton, installing, servicing or performing maintenance.
- Disconnect or turn off power before installation or servicing the luminaire.
- Allow fixture to cool before handling.
- Do not exceed maximum wattage marked on the label.
- Do not operate in close proximity to persons, combustible materials or substances affected by heat or drying.
- Verify that supply voltage is correct by comparing it with the label information.
- Wiring connections should be capped with UL-approved wire connectors.
- DO NOT INSTALL DAMAGED PRODUCT! This luminaire has been properly packed so that no parts should have been damaged during transit. Inspect to confirm. Any part damaged during or after assembly should be replaced.
- Maintenance should be performed by person(s) familiar with the luminaires' construction and operation and any hazards involved. Regular fixture maintenance programs are recommended.
- It will occasionally be necessary to clean the outside of the refractor/lens. Frequency of cleaning will depend on ambient dirt level and minimum light output which is acceptable to user. Refractor/lens should be washed in a solution of warm water and any mild, non-abrasive household detergent, rinsed with clean water and wiped dry.
- Should optical assembly become dirty on the inside, wipe lens and clean in above manner, replacing damaged gaskets as necessary.
- These instructions do not purport to cover all details or variations in equipment nor to provide every possible contingency to meet in connection with installation, operation, or maintenance.

Specifications and dimensions subject to change without notice.

### WIRING DIAGRAM

This product has dimming and non-dimming functions. The three dimming functions that are available:

1. Constant current by 0-10VDC dimming.
2. PWM signal dimming.
3. Variation of resistance unit dimming (you can choose not to use this function).

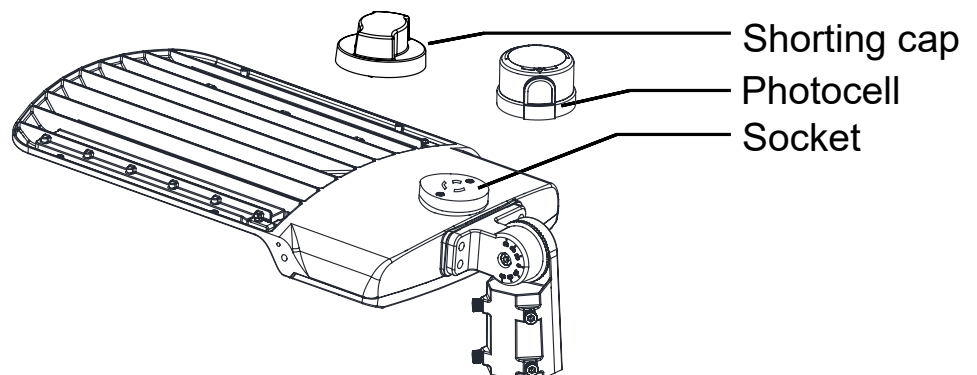


#### Instructions For Photocell

- When the photocell function is required, the photocell should be installed on the back of the fixture. When it's not required, a shorting cap should be installed.

#### Standard Wiring:

- L/live wire: Black/Brown;
- N/null wire: White/Blue;
- Ground wire: Green/Yellow-Green

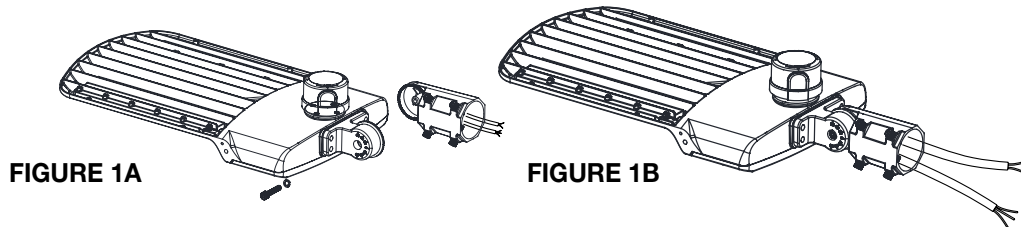


Specifications and dimensions subject to change without notice.

## INSTALLING BRACKETS ON THE FIXTURE

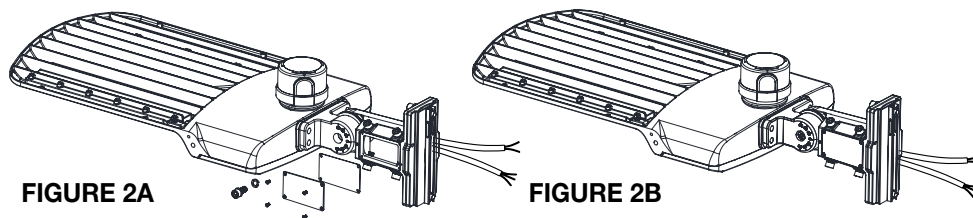
### Adjustable Slip Fitter Mount (AM)

- Remove the bracket mounting screws on the fixture and run the wires through the bracket. (Figure 1A)
- Install the bracket on the fixture. (Figure 1B)



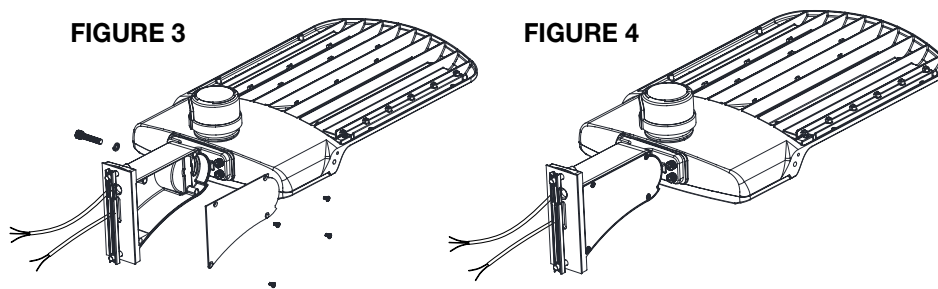
### Mount For 2 3/8" Round Tenon (ADM)

- Remove the bracket mounting screws on the fixture, open the side lid, and run the wires through the bracket. (Figure 2A)
- Install the bracket on the fixture, cover the side lid, and tighten it. (Figure 2B)



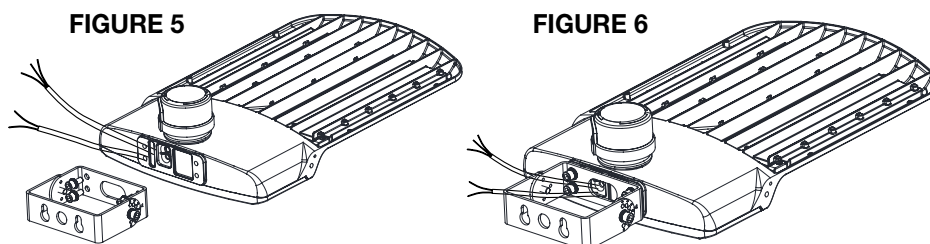
### Direct Mount For Square and Round Pole (DM)

- Remove the bracket mounting screws on the fixture, open the side lid, and run the wires through the bracket. (Figure 3)
- Install the bracket on the fixture, then cover the side lid, and tighten it. (Figure 4)



### Trunnion Mount (YM)

- Remove the bracket mounting screws on the fixture and run the wires through the bracket. (Figure 5)
- Install the bracket on the fixture. (Figure 6)



Specifications and dimensions subject to change without notice.

---

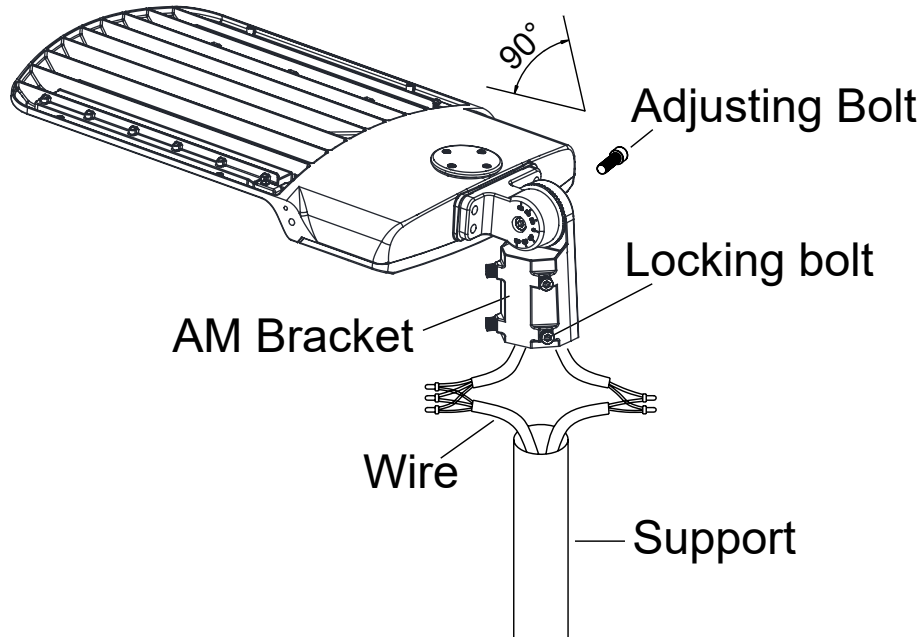
## INSTALLING THE FIXTURE (AM)

---

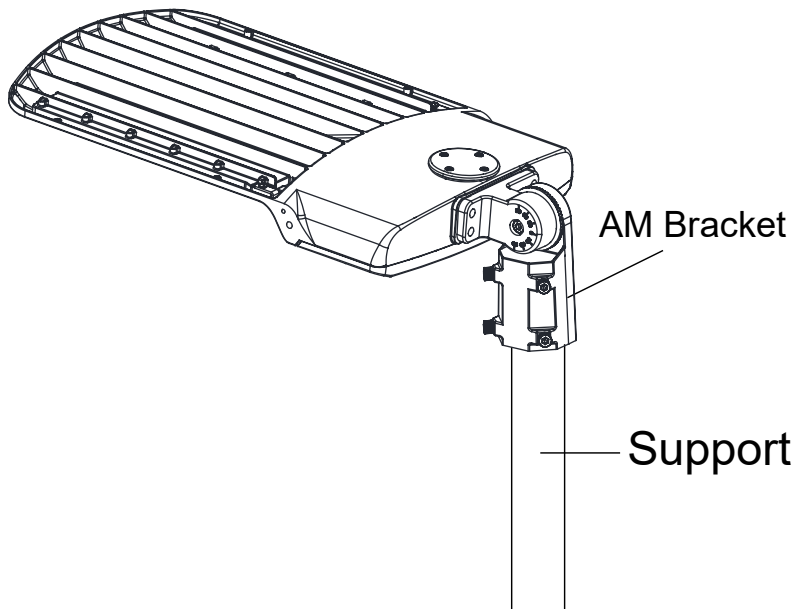
### Adjustable Slip Fitter Mount (AM)

- Loosen the four bolts on the mount, connect the wires correctly, and pull the wires into the poles. (Figure 7)
- Place the bracket onto the pole and lock the four bolts. (Figure 8)
- Note: Adjustable angle is 0-90°.

**FIGURE 7**



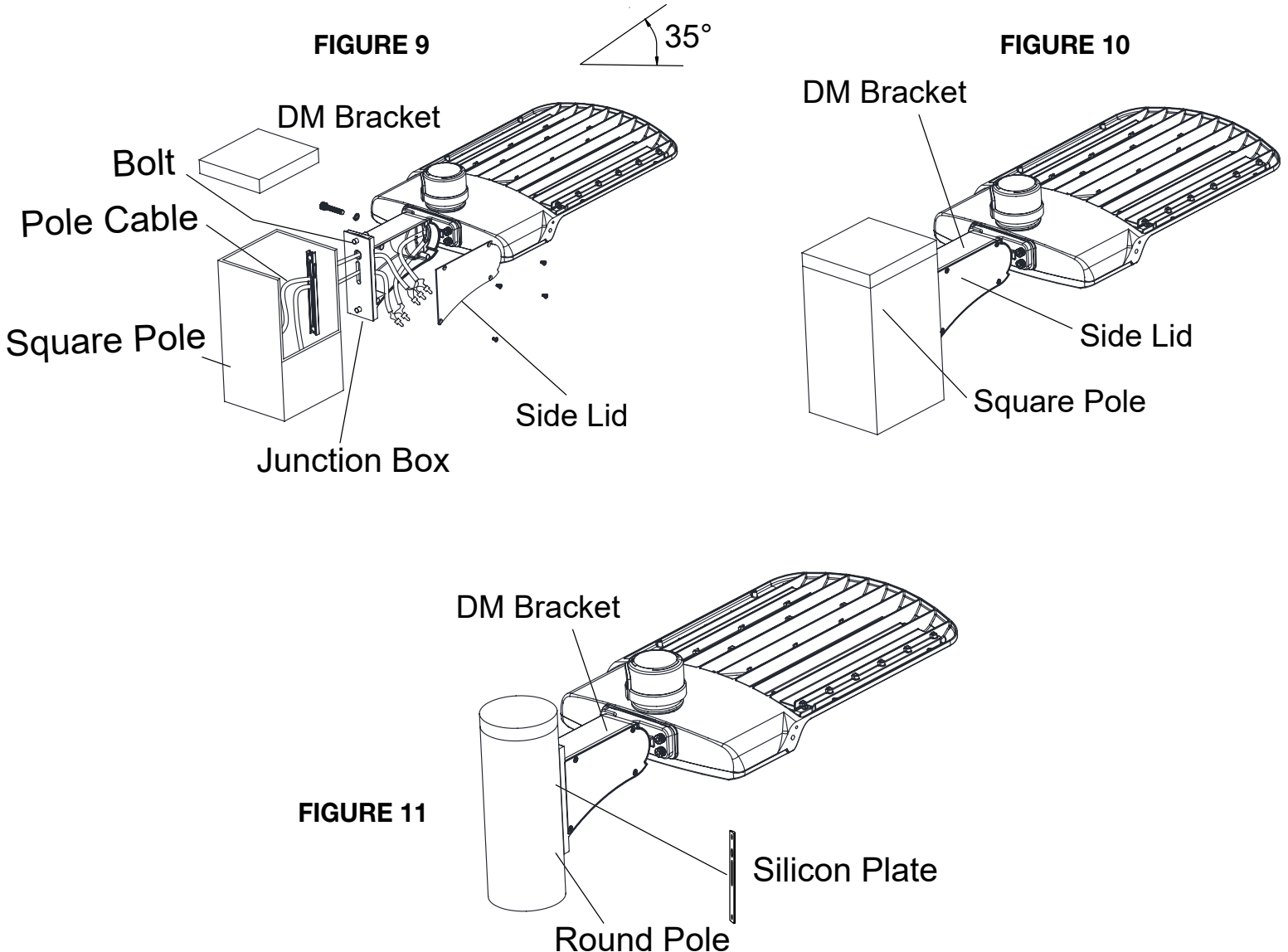
**FIGURE 8**



## INSTALLING THE FIXTURE (DM)

### Direct Mount For Square and Round Pole (DM)

- Fix DM bracket to square pole with a bolt, open the side lid of the DM bracket, pull the wire into the junction box, and connect the wire correctly. (Figure 9)
- Put the connected wire into the junction box, then cover the junction box. (Figure 10)
- Note: Adjustable angle is 0-35°.
- Similar installation for round poles. Remember to remove the silicon plate when installing the fixture onto the round pole. (Figure 11)



Specifications and dimensions subject to change without notice.

## INSTALLING THE FIXTURE (YM)

### Trunnion Mount (YM)

- Drill holes on the wall as shown. (Figure 12)
- Hammer the expansion bolts into the wall. (Figure 13)
- Connect the fixture on the bracket and tighten the screws. Connect the wires properly and put them into the junction box. (Figure 14)
- Note: Adjustable angle is 0-90°.

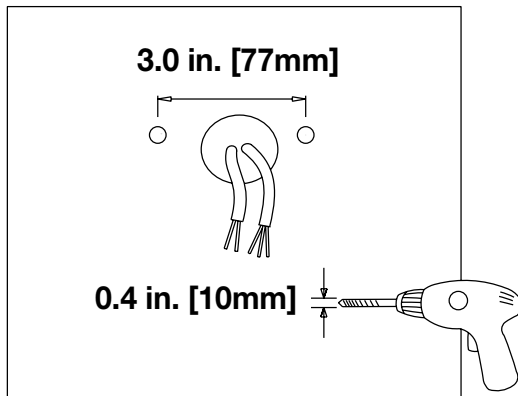


FIGURE 12

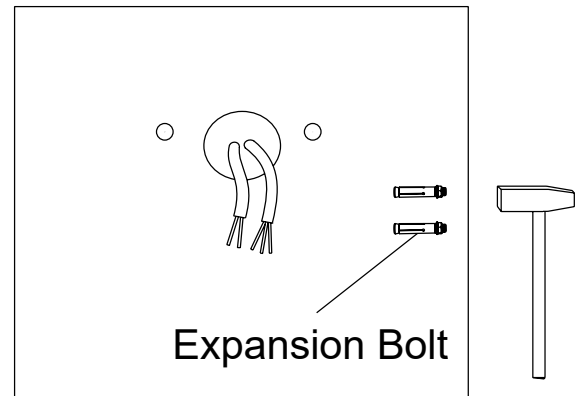


FIGURE 13

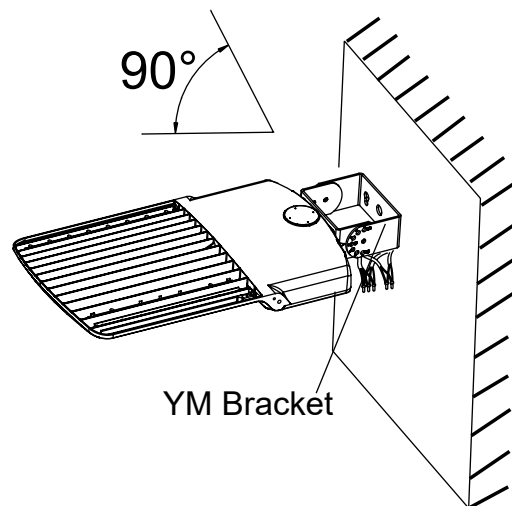


FIGURE 14

Specifications and dimensions subject to change without notice.

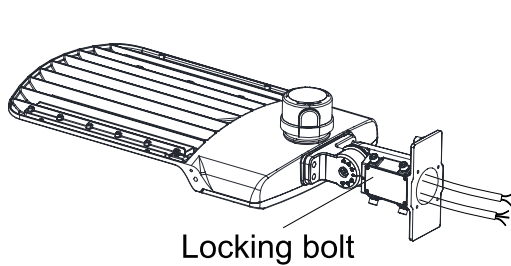
---

## INSTALLING THE FIXTURE (ADM)

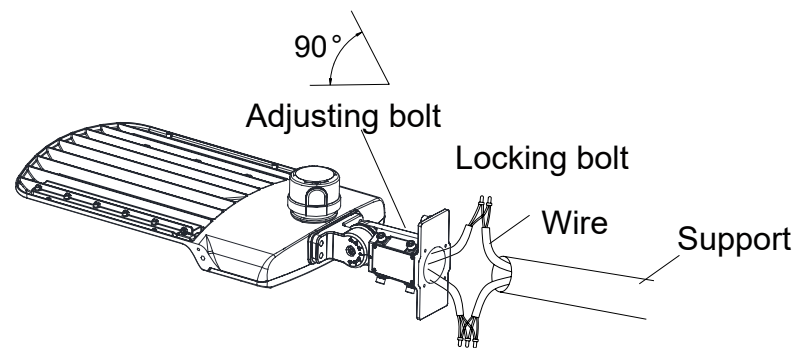
---

### Mount For 2 3/8" Round Tenon (ADM)

- Remove the spare parts from the ADM bracket. (Figure 15)
- Loosen the four bolts on the bracket, connect the wires, and pull the wires into the poles. (Figure 16)
- Place the bracket into the pole and lock the four bolts. (Figure 16)
- Note: Adjustable angle is 0-90°. (Figure 16)



**FIGURE 15**



**FIGURE 16**