

# ACD pureAir HVAC

## Commercial In-Duct Active Air Purification System



### Key Features

- Easy to install commercial in-duct solution that actively purifies the air in the environment.
- Distributes air purification evenly throughout the environment using existing ductwork, while keeping the system fresh.
- Active air purification operates 24/7 and recreates natural processes to reduce odors caused by bacteria, mold, and more.
- Units can be customized for each application and purification needs.

### Electrical

- Supply Power: 100-240VAC <sup>1</sup>
- Operating Power: 24VDC
- ARC<sup>®</sup> Cell utilizes a proprietary germicidal UVC lamp to produce catalytic reaction.

### Mounting

- Unit should be installed after the air handler in the HVAC system in the supply plenum. <sup>2</sup>
- An opening of 4" across will need to be cut into the existing duct to install correctly.

### Technology

- Active Radiant Catalysis (ARC<sup>®</sup>), the proprietary Photocatalytic Oxidation (PCO) technology, uses energy to activate a catalyst, turning moisture into products that continuously clean the space.
- Bipolar Ionization Module (optional) attaches to the ARC<sup>®</sup> Cell; creates a plasma of electrical charges, and the ionization removes allergens and other pathogens.

### Construction

- Precision-molded plastic housing for 9" and 14" in-duct models.
- Powder-coated housing for dual probe model.
- LED function lights confirm operation.

### Warranty

- HVAC in-duct housing and power supply are backed by the manufacturer's ten-year warranty.
- ARC<sup>®</sup> Cell (including bulb) is backed by the manufacturer's two-year warranty.

### Product Overview

Support occupant health and well-being with proven air purification solutions from US LED. Our active air purification products recreate the same processes in nature, safely destroying harmful viruses, bacteria, mold, odors, and other pathogens. Unlike passive filters that affect only air that passes through them, this air purification system projects purifying solutions to the sources of pollution, continuously reducing odors and airborne particles.

Utilizing a proprietary form of photocatalytic oxidation called Active Radiant Catalysis (ARC<sup>®</sup>), the in-duct solution uses energy to activate a catalyst that turns moisture into effective advanced oxidation products (AOPs). These AOPs continuously sanitize the air and surfaces, actively destroying microbes and rendering contaminants harmless. After creating a plasma of positive and negative charges, ionization removes allergens and other harmful pathogens from the breathing space, either by pushing them away or causing them to clump together and fall to the floor.

### Product Applications

- Commercial Offices
- Commercial Retail
- Entertainment
- Extended Care
- Schools/Universities
- Healthcare Facilities
- Hospitality
- Public Venues

### Ordering Information

*Example: ACD-14-B*

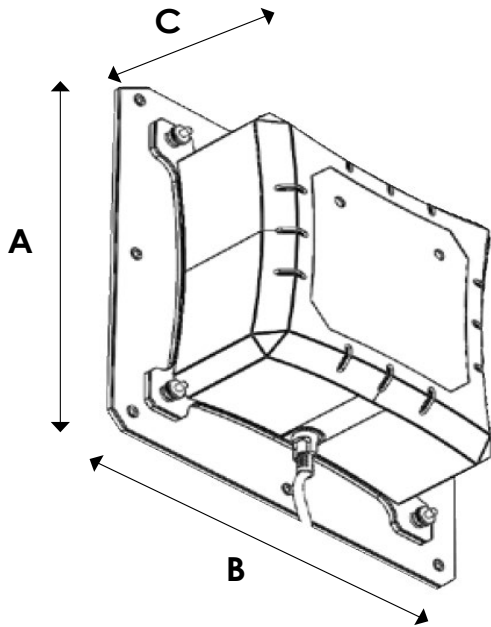
ACD	<input type="text"/>	<input type="text"/>
Series	Unit Size	Options
9	9" Cell	<b>B</b> Bipolar Ionization
14	14" Cell	
14D	14" Dual Cell	

1. Unit can be wired directly to 24V HVAC system supply.  
2. Additional pureAir HVAC units are recommended in the Return Plenum for added protection and to help keep the internal HVAC parts clean.

# ACD pureAir HVAC

## Commercial In-Duct Active Air Purification System

### Product Dimensions



pureAir HVAC Model	Height (A)	Width (B)	Depth (C)	Net Weight
ACD-9	9.75 in.	9.75 in.	13.00 in.	2.8 lb.
ACD-14	9.75 in.	9.75 in.	18.75 in.	3.0 lb.
ACD-14D	9.80 in.	11.30 in.	18.00 in.	4.5 lb.

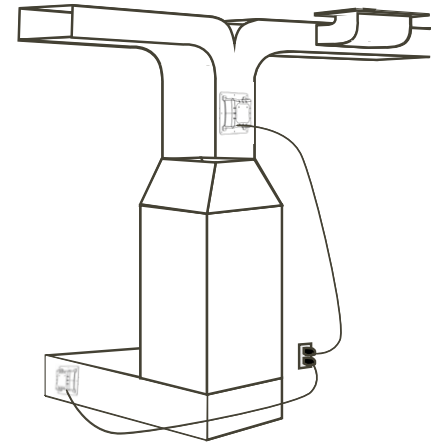
### Product Coverage

#### To Use This Product Correctly:

Read all instructions carefully in the User Manual before operating purifier. For more information about air purification technology or other products, please visit [www.usled.com](http://www.usled.com).

pureAir HVAC Model	Supply Power	Operating Power	Typical HVAC System	Square Footage Coverage	Cubic Footage Coverage
ACD-9	100-240VAC / 18W	24VDC / 0.70A	3-3.5 Tons	750-2,500 ft <sup>2</sup>	16,000 ft <sup>3</sup>
ACD-14	100-240VAC / 28W	24VDC / 1.05A	5+ Tons	2,250-5,000 ft <sup>2</sup>	40,000 ft <sup>3</sup>
ACD-14D	100-240VAC / 43W	24VDC / 0.35A	10+ Tons	4,500-10,000 ft <sup>2</sup>	80,000 ft <sup>3</sup>

#### pureAir HVAC Supply Plenum Example Installation



#### pureAir HVAC Return Plenum Example Installation (Recommended Option)