



The installation must only be performed by a licensed electrician.
L'installation ne doit être effectuée que par un électricien agréé.

To prevent death, injury or damage to property, this product must be installed in accordance to National Electric Code (NFPA70) in the US or Canadian Electrical Code (CSA22.1) in Canada.
Pour prévenir les décès, les blessures ou les dommages matériels, ce produit doit être installé conformément au Code national de l'électricité (NFPA70) aux USA ou Code Canadien de l'Électricité (CSA22.1) au Canada.

Disconnect power before installing the product or servicing it.
Débranchez l'alimentation avant d'installer ou de le réparer le produit.

Wait until fixture has cooled down before installing or servicing the fixture.
Attendre jusqu'à ce luminaire soit refroidi avant l'installation ou l'entretien du luminaire.

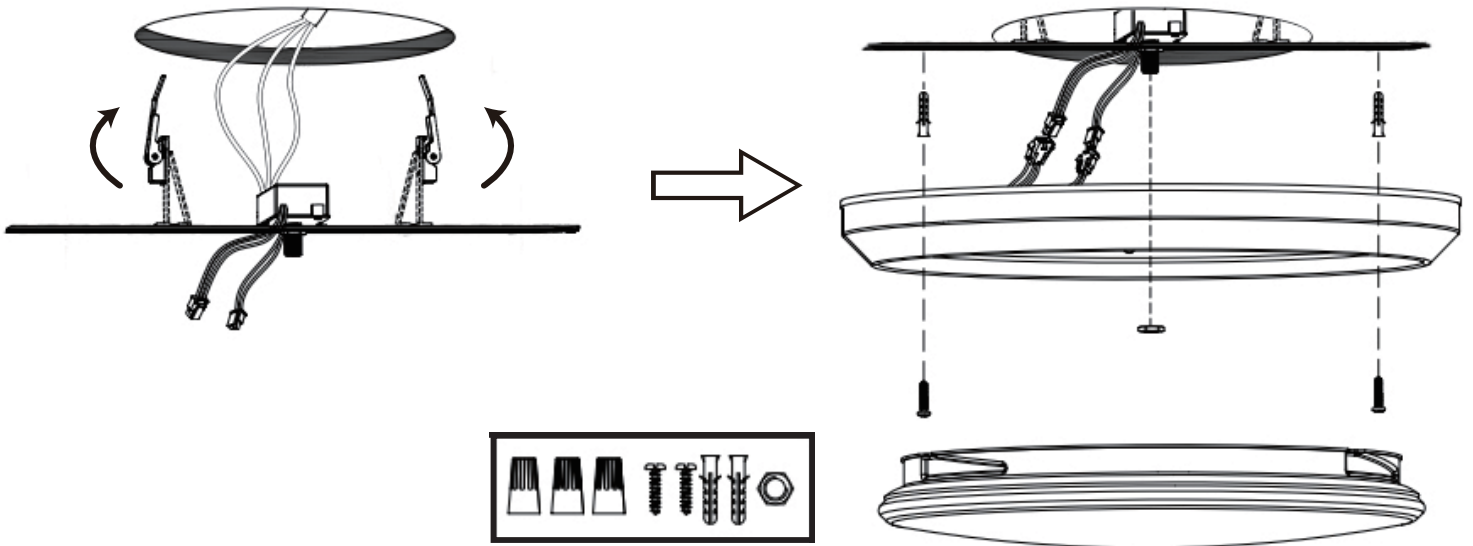
MIN 90°C SUPPLY CONDUCTORS
LES FILS D'ALIMENTATION 90°C MIN



IMPORTANT SAFETY INSTRUCTIONS

- To reduce the risk of death, personal injury or property damage from fire, electric shock, falling parts, cuts/abrasions, and other hazards please read all warnings and instructions included with and on the fixture box and all fixture labels.
- Before installing, servicing, or performing routine maintenance up on this equipment, follow these general precautions.
- Installation and service of luminaires should be performed by a qualified licensed electrician.
- Maintenance of the luminaires should be performed by person(s) familiar with the luminaires' construction and operation and any hazards involved. Regular fixture maintenance programs are recommended.
- It will occasionally be necessary to clean the outside of the luminaire. Frequency of cleaning will depend on ambient dirt level and minimum light output which is acceptable to user. Outside lens should be washed in a solution of warm water and any mild, non-abrasive household detergent, rinsed with clean water and wiped dry.
- DO NOT INSTALL DAMAGED PRODUCT! This luminaire has been properly packed so that no parts should have been damaged during transit. Inspect to confirm. Any part damaged or broken during or after assembly should be replaced.
- These instructions do not purport to cover all details or variations in equipment nor to provide every possible contingency to meet in connection with installation, operation, or maintenance.

Specifications and dimensions subject to change without notice.



1. Open the ceiling according to the corresponding size.
2. Connect the luminaire wire (Black/White/Green) to the supply wire in the electrical box using the wire nuts.
3. Insert the spring clips on both ends of the mounting bracket into the holes.
4. Put both sides of the spring buckle into the hole.
5. Connect both connectors between the driver and the luminaire.
6. Lift the luminaire up to the ceiling and tighten down the hex nut.
7. Use anchor and wood screw mount to drywall or wood.