

17.9W LED Tubes

T10 Type B Single-Ended or Double-Ended



Key Features

- Quick and easy LED upgrade for existing open or enclosed fixtures.
- Type B - Internal LED driver bypasses existing ballasts and eliminates the need for an external LED driver.
- Instant on - no delay or warm up time.

Electrical

- 120-277VAC input.
- Power Factor: ≥ 0.90 ; THD: $< 20\%$
- Operating temperature: -20°C to 40°C (-4°F to 104°F).

Warranty

- Backed by US LED's industry-leading Ten-Year warranty.

Construction

- Available in 4 ft. length.
- Single or double-ended power input.
- Fully-sleeved frosted polycarbonate housing is shatter-resistant.
- Easy disposal, non-hazardous waste.

Optics

- Industry-leading LEDs with 4000K and 5000K CCT (minimum 80 CRI).
- Full Illumination with $> 320^{\circ}$ Beam Angle.
- Lumen Maintenance: 200,000 hours (L70) ¹

Project _____ Date _____

Catalog Number _____ Type _____

Product Performance Summary

Lumen Output	Up to 2,750 lumens
Efficacy	Up to 152 LPW
CRI	≥ 80 CRI
Available CCT	4000K or 5000K
Warranty	Ten-Year Warranty

Product Overview

T10 Type B single or double-ended LED tubes are the perfect solution for upgrading existing fluorescent fixtures to LED technology without a comprehensive reinstall. These LED tubes offer quality illumination up to 200,000 hours (L70) and are backed by US LED's industry-leading Ten-Year Warranty.

Product Applications

- Retail Stores
- Industrial/Warehouses
- Hallways/Corridors
- Classrooms
- Conference Rooms
- Storage Areas
- Office Spaces
- Convenience Stores

Product Certifications

- UL Listed.
- Suitable for indoor damp locations.
- RoHS compliant.



Ordering Information

Example: **ST1-4-UNV-4-17B-40**

Series	Variant	Input Voltage	Length	Wattage	CCT	Power Location
ST1						
4	Standard	UNV 120-277V	4 4 ft.	17B 17.9W	40 4000K	Blank Single End
					50 5000K	DE Double-Ended

1. Product 'Lifetimes' refer only to the LED light engine, not the power source, and are based on the Illuminating Engineering Society's TM21 Projected Lumen Maintenance methodology at a 25° C / 77° F ambient temperature. The lifetimes are solely meant to be a guide for expected LED degradation and not a warranty or predictive of their actual life, which can be affected by ambient temperatures and other factors.

17.9W LED Tubes

T10 Type B Single-Ended

Performance Data

Model	Input Voltage	CCT	Input Power	Lumen Output	Efficacy	CRI	L70 Calculate Life
ST1-4-UNV-4-17B-40	120-277VAC	4000K	17.9W	2,720	152 LPW	≥80	200,000 Hours
ST1-4-UNV-4-17B-50-DE	120-277VAC	5000K	17.9W	2,750	152 LPW	≥80	200,000 Hours

Accessories

Model	Description
LS-1-4	LoneStar, 1 Tube Strip Fixture Housing
LS-2-4	LoneStar Tandem, 8' Single Strip Housing
TWS1	TwinStar, 2 Tube Strip Fixture Housing
TWS1-T	TwinStar Tandem, 8' Double Strip Housing
TWS1-1	TwinStar, 2 Tube Strip Fixture Housing With Accommodations For Occupancy Sensor
TR-3-4	TriStar, 3 Tube Strip Fixture Housing
USQS-44	QuadStar, 4 Tube Wide Body Strip Housing
HBT1	SixShooter, 6 Tube High Bay Fixture Housing
HBT1-1	SixShooter, 6 Tube High Bay Fixture Housing With Accommodations For Occupancy Sensor
UCLL-24	2x4 Housing with Ribbed Lens - Ceiling Mounted
UCLLS-24	2x4 Housing with Ribbed Lens - Surface Mounted
LS-WG-48	Wireguard Protection for LoneStar Strip Fixture Housing
BCK-8-2-US	1x8 Two Lamp Retrofit
BCK-8-4-US	1x8 Four Lamp Retrofit
RKSR-232TAN-WINST	8' to 4' Conversion Kit
USVT-24	4' Vapor Tight Housing
USVT-44	8' Vapor Tight Housing
BLD-HMXXD-YYY	Emergency LED Driver - Adaptive Power 5-25W 100-277VAC

17.9W LED Tubes

T10 Type B Single-Ended

Emergency LED Driver Accessory

BLD-HMXXD-YYY Emergency LED Driver - Adaptive Power | 5-25W | 100-277VAC

Overview

The BLD-HMXXD-YYY Emergency LED Driver is UL listed for field and factory installation that allows the same LED fixture to be used for both normal and emergency operation. In the event of a power failure, the emergency driver switches to emergency mode and operates the existing fixture for 90 minutes.

Product Features

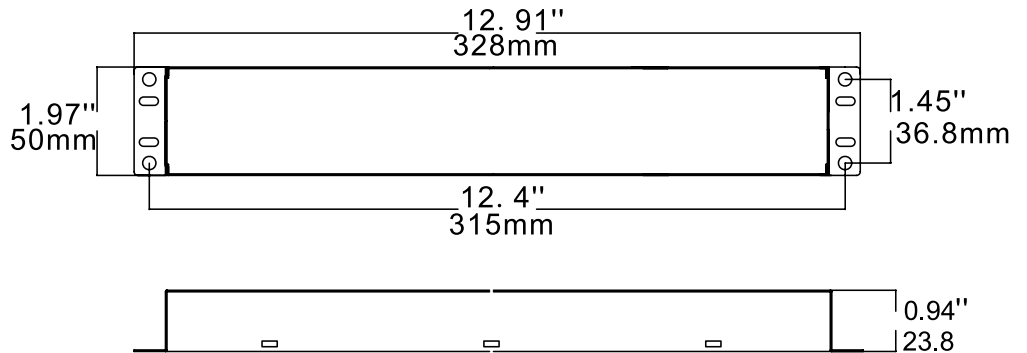
- Easy wiring: directly connect to the AC input of LED lamps
- Ideal for many kinds of indoor LED fixtures 5-25W
- Listed for factory or field installation - UL924 & CSA C22.2 No. 141
- Input Voltage: 100-277VAC, 50/60Hz
- OCP SCP OLP
- Meets CEC Title 20 Standards (California Energy Commission)



Specifications

- Input Current: ≤ 100 mA
- Input Power: 7 Watts (Max)
- Input Voltage: 100-277VAC, 50-60Hz
- Output Voltage: ≤ 135 V DC
- Output Current: ≤ 0.3 A
- Adaptive Power: 5-25 Watts
- Emergency Operation: ≥ 90 Minutes
- Charging Time: ≥ 24 Hours
- Operating Temp: 0°C to 50°C
- Battery: Lithium

Case: 12.91"X1.97"X0.94"(mounting center 12.4 ")



Wiring Diagram

Note: Diagram shows wiring for LED driver with input power less than the emergency output power.

