



The installation must only be performed by a licensed electrician.  
*L'installation ne doit être effectuée que par un électricien agréé.*

To prevent death, injury or damage to property, this product must be installed in accordance to National Electrical Code (NFPA70) in the US or Canada Electrical Code (CSA22.1) in Canada.

*Pour prévenir les décès, les blessures ou les dommages matériels, ce produit doit être installé conformément au Code national de l'électricité (NFPA70 aux USA ou Code Canadien de l'Électricité (CSA22.1) au Canada.*

Disconnect power before installing the product or servicing it.  
*Débranchez l'alimentation avant d'installer ou de le réparer le produit.*

Wait until fixture has cooled down before installing or servicing the fixture.  
*Attendre jusqu'à ce luminaire soit refroidi avant l'installation ou l'entretien du luminaire.*

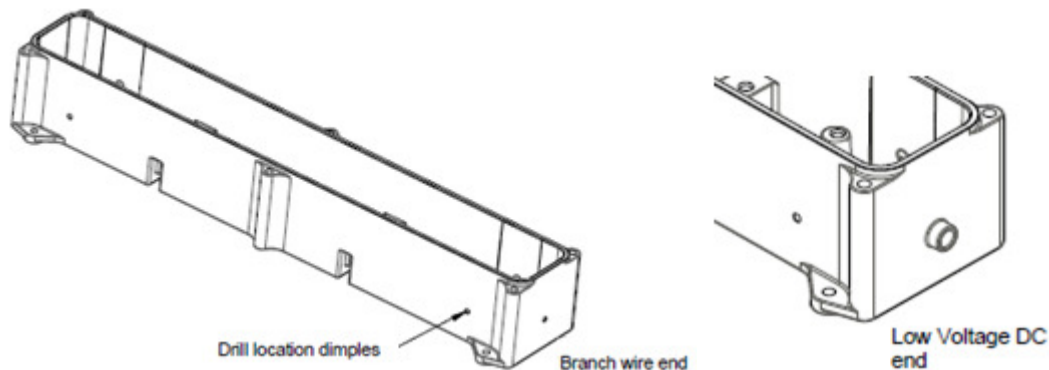
MIN 75°C SUPPLY CONDUCTORS  
*LES FILS D'ALIMENTATION 75°C MIN*

Suitable for class 2 wiring. *Convient pour le câblage de classe 2.*

The output of LED Driver shall be made inaccessible in end product use.  
*La sortie du pilote DEL doit être rendue inaccessible dans l'utilisation du produit final.*

## Installation Instructions

1. Remove cover from PSH1 box.
2. Locate desired position for PSH1 box.
3. Determine appropriate PSH1 box entry point for 120-277VAC branch wiring. Note branch wire end has 3 dimples that designate appropriate locations to drill for trade size conduit connection(s). Branch wire end is opposite of end with the nipple that has a ¼" hole in it.



4. Drill 7/8" (0.875") hole for ½" trade size conduit. Use caution when drilling so wires or components don't get damaged.
5. Turn off appropriate circuit breaker.
6. Install PSH1 as required by state and local codes. Do NOT exceed MAX OUTPUT ratings from table below when connecting light fixtures to PSH1 driver assembly.
7. Connect low voltage DC side of power supply to light fixture RED + and BLUE -.
8. Connect ground wire to green wire lead affixed to power supply assembly according to state and local electric codes.
9. Connect branch wires to corresponding black and white wire leads from the Power Supply (LED Driver) according to state and local electric codes.
10. Optional step: For Power Supplies (LED Drivers) with dimming capability, wire the Power Supply (LED Driver) dimming control input wires (violet and green or violet and gray) to the Dimmer Controller's output wires. Wire the 0-10V input violet wire of the Power Supply (LED Driver) to the Dimmer Controller's 0-10V output wire (typically a violet wire). Wire the 0V input gray wire of the Power Supply (LED Driver) to the Dimmer Controller's 0V output wire (typically a gray or yellow wire).
11. If Power Supply (LED Driver) has unused wire, cap each wire with a wire nut.
12. Reattach cover to PSH1 box.
13. Turn power on and verify light fixture illuminates properly.

	INPUT			OUTPUT			Power Supply
	AC Voltage	AC Current	AC Watts	Max DC Voltage	Max Current	Max Watts	
PSH1-1-A-O-W-1	120	0.63	75	12	5	60	LED120A0012V50F
PSH1-1-A-O-W-2	120-277	0.6-0.29	70	12	5	60	LEDINTA0012V50FO
PSH1-1-A-O-W-3	120-277	0.95-0.4	117	24	4.1	100	LEDINTA0024V41FO
PSH1-1-A-O-W-4	120-277	0.95-0.4	115	24	4.1	100	XI100C410V024FNS1
PSH1-1-A-O-W-15	120-277	0.95-0.4	115	24	4.1	100	XI100C410V024CNS1
PSH1-1-A-O-W-1-Y	120	0.63	75	12	5	60	LED120A0012V50F
PSH1-1-A-O-W-2-Y	120-277	0.6-0.29	70	12	5	60	LEDINTA0012V50FO
PSH1-1-A-O-W-3-Y	120-277	0.95-0.4	117	24	4.1	100	LEDINTA0024V41FO
PSH1-1-A-O-W-4-Y	120-277	0.95-0.4	115	24	4.1	100	XI100C410V024FNS1
PSH1-1-A-O-W-15-Y	120-277	0.95-0.4	115	24	4.1	100	XI100C410V024CNS1
PSH1-1-P-I-W-5	120-277	0.36-0.16	47	56	0.7	40	XI040C070V056CNJ1
PSH1-1-P-I-B-5	120-277	0.36-0.16	47	56	0.7	40	XI040C070V056CNJ1
PSH1-1-P-I-W-6	120-277	0.46-0.21	56	42	1.05	40	XI040C105V042CNJ1
PSH1-1-P-I-B-6	120-277	0.46-0.21	56	42	1.05	40	XI040C105V042CNJ1
PSH1-1-P-I-W-7	120-277	0.45-0.20	56	35	1.2	40	XI040C120V035CNJ1
PSH1-1-P-I-B-7	120-277	0.45-0.20	56	35	1.2	40	XI040C120V035CNJ1
PSH1-1-P-I-W-8	120-277	0.95-0.4	123	42	2.3	100	XI100C230V042CNS1
PSH1-1-P-I-B-8	120-277	0.95-0.4	123	42	2.3	100	XI100C230V042CNS1
PSH1-1-P-I-W-9	120-277	0.95-0.4	123	42	2.3	100	XI100C230V042FNS1
PSH1-1-P-I-B-9	120-277	0.95-0.4	123	42	2.3	100	XI100C230V042FNS1
PSH1-1-P-I-W-10	120-277	0.29-0.13	35	46	0.65	30	CI030C065V046CNN1
PSH1-1-P-I-B-10	120-277	0.29-0.13	35	46	0.65	30	CI030C065V046CNN1
PSH1-1-P-I-W-11	120-277	0.37-0.16	45	52	0.75	39	CI039C075V052CNN1
PSH1-1-P-I-B-11	120-277	0.37-0.16	45	52	0.75	39	CI039C075V052CNN1
PSH1-1-P-I-W-12	120-277	0.35-0.15	44	46	0.75	35	CI035C075V046FNN1
PSH1-1-P-I-B-12	120-277	0.35-0.15	44	46	0.75	35	CI035C075V046FNN1
PSH1-1-P-I-W-13	120-277	0.39-0.17	36	46	0.87	41	CI041C087V046CNN1
PSH1-1-P-I-B-13	120-277	0.39-0.17	36	46	0.87	41	CI041C087V046CNN1
PSH1-1-P-I-W-14	120-277	0.43-0.19	51	46	0.96	45	CI045C096V046CNN1
PSH1-1-P-I-B-14	120-277	0.43-0.19	51	46	0.96	45	CI045C096V046CNN1

For PSH1-1-A-O-W-X-X Outdoor wet rated PSH1 boxes use UL Listed Liquid Tight Conduit, suitable for unthreaded conduit openings when attaching all (branch and low voltage DC) wiring to PSH1 box. The Low Voltage end of the PSH1 box will need the nipple with the ¼" hole drilled out and the wires / cable run through a UL Listed Liquid Tight Conduit, suitable for unthreaded conduit openings.

