

# EcoNight®3

## Outdoor LED Full Cutoff Wall Pack



### Key Features

- Full cutoff design for restrictive lighting zones to eliminate forward/upward light.
- Low wattage, highly efficient patented LED technology.
- Rugged yet decorative construction protects the internal components from the outdoor conditions.

### Electrical

- 120-277VAC 0-10V dimming standard.
- System power factor >90% and THD <20%.
- Operating temperature: -40°C to 40°C (-40°F to 104°F).

### Mounting

- Designed for wall mounting above four feet from the ground.
- Housing is configured for mounting directly over a standard 4" octagonal box (by others) or surface wiring via any of the convenient 1/2" threaded conduit entries.

### Construction

- Robust die-cast aluminum housing protects integral components from harsh environments and optimizes thermal management.
- Housing is protected by a RoHS compliant, corrosion resistant powder coat finish.
- Standard architectural bronze finish. <sup>2</sup>
- Clear tempered glass lens.

### Optics

- Industry-leading LEDs with 3000K, 4000K, and 5000K CCT (minimum 70 CRI).
- Lumen Maintenance: 146,000 hours (L70). <sup>1</sup>

### Warranty

- Backed by US LED's industry-leading Ten-Year Warranty.

Project	Date
---------	------

Catalog Number	Type
----------------	------

### Product Performance Summary

Lumen Output	Up to 5,870 lumens
Efficacy	Up to 154 LPW
CRI	≥ 70 CRI
Available CCT	3000K, 4000K & 5000K
Warranty	Ten-Year Warranty

### Product Overview

The EcoNight®3 LED full cutoff wall pack is an energy-efficient replacement for existing legacy lighting technology like metal halide. This highly efficient wall pack is Dark Sky compliant by reducing light pollution with its specialized optics. With traditional aesthetics and durability, the EcoNight®3 is perfect for new construction or retrofit projects that are designated with restrictive lighting zones by local ordinances.

### Product Applications

- Perimeter Areas
- Building Exteriors
- Security Lighting
- Wall Washing
- Parking Lots
- Educational Facilities
- Business Campuses
- Industrial Facilities
- Mall/Retail Areas
- Recreational Areas

### Product Certifications/Approvals

- ETL Listed for US & Canada
- Complies with UL1598 and CSA C22.2
- DLC Premium Listed
- Suitable for Wet Locations
- RoHS Compliant



### Ordering Information

Example: DSC01-3-UNVL-50-96-BZ

DSC01	<input type="text"/>	<input type="text"/>	<input type="text"/>	<input type="text"/>	<input type="text"/>
Series	Variant	Input Voltage	CCT	Wattage	Finish
3	Generation 3	UNVL 120-277V	30 3000K	75 750mA	BZ Bronze
			40 4000K	96 960mA	
			50 5000K		

<input type="text"/>
<b>Accessories</b>
PC Photocell

1. US LED product 'Lifetimes' refer only to the LED light engine, not the power source, and are based on the Illuminating Engineering Society's TM21 Projected Lumen Maintenance methodology at a 25° C / 77° F ambient temperature. The lifetimes are solely meant to be a guide for expected LED degradation and not a warranty or predictive of their actual life, which can be affected by ambient temperatures and other factors.  
2. Custom colors available upon request. Additional lead time may apply.

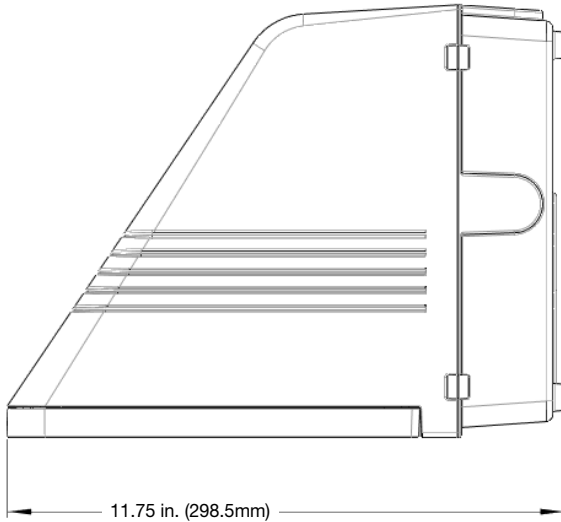
# EcoNight<sup>®</sup>3

## Outdoor LED Full Cutoff Wall Pack

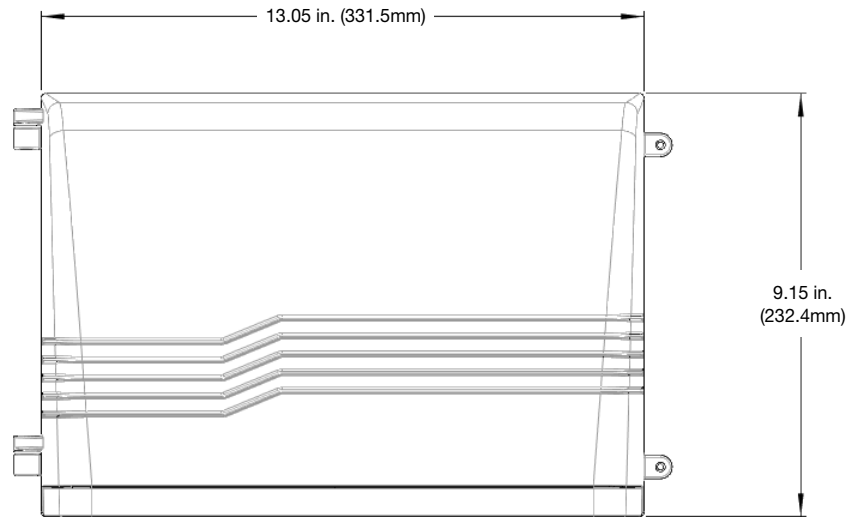
### Dimensions

Net Weight
9.35 lbs. (4.24kg)

Side View



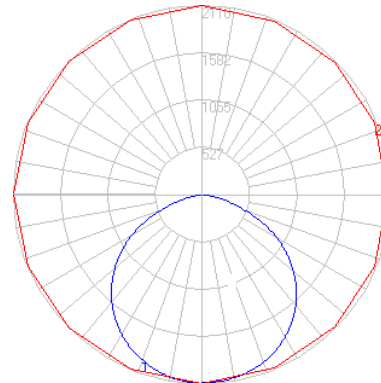
Front View



### Performance Data

#### Luminaire Photometric Data

Model Number	<b>DSCO1-3-UNVL-50-96-BZ</b>
Issue Date	<b>07/12/2018</b>
IESNA	<b>LM-63-2002</b>
Lamp	<b>LED</b>
Total Input Watts	<b>40.0</b>
Total Lumens	<b>5,870</b>
Efficacy	<b>147 LPW</b>
BUG Rating	<b>B2-U0-G1</b>



Model	CCT	System Level Power	Delivered Lumens	Efficacy	L70 Calculate Life	L85 Calculate Life
<b>DSCO1-3-UNVL-30-75-BZ</b>	3000K	29.9W	4,430	148 LPW	146,000 Hours	67,000 Hours
<b>DSCO1-3-UNVL-40-75-BZ</b>	4000K	30.1W	4,420	147 LPW	146,000 Hours	67,000 Hours
<b>DSCO1-3-UNVL-50-75-BZ</b>	5000K	29.9W	4,600	154 LPW	146,000 Hours	67,000 Hours
<b>DSCO1-3-UNVL-30-96-BZ</b>	3000K	40.0W	5,670	142 LPW	146,000 Hours	67,000 Hours
<b>DSCO1-3-UNVL-40-96-BZ</b>	4000K	40.0W	5,620	141 LPW	146,000 Hours	67,000 Hours
<b>DSCO1-3-UNVL-50-96-BZ</b>	5000K	40.0W	5,870	147 LPW	146,000 Hours	67,000 Hours