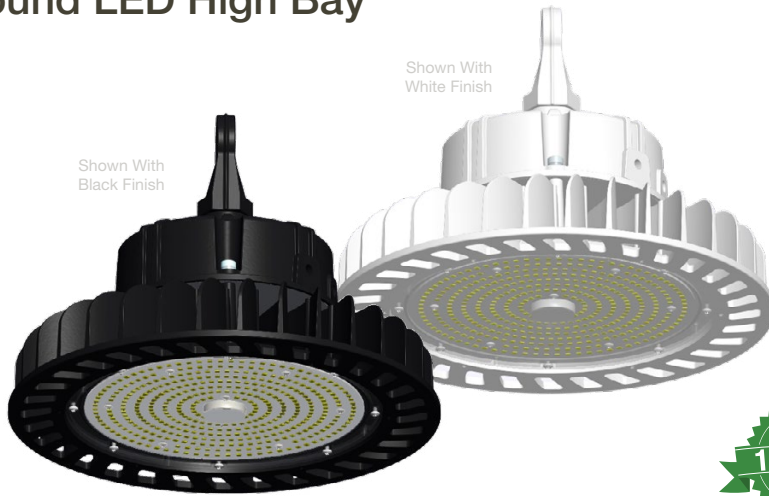




Always the Right Choice!

ExsaBay® Infinity

Round LED High Bay



Shown With Black Finish

Shown With White Finish



Key Features

- Energy-efficient LED replacement for traditional fluorescent or HID systems.
- Compact design that integrates the driver into the housing for a streamlined aesthetic.
- IP65 rated; suitable for wet locations.
- Optional microwave/daylight harvesting sensor accessory available.

Electrical

- Voltage: 90-305V or 347-480V 50/60Hz driver.
- Dimming: 0-10V dimming standard.
- Surge Protection: Up to 6kV/3kA standard.
- Power Factor: ≥90%; THD: <20%
- Operating temperature: -40°C to +50°C (-40°F to +122°F)

Mounting

- Hook mounting accessory and 6' cord provided for easy installation in the field.
- Consult factory for additional mounting accessories.

Construction

- Die-cast aluminum housing engineered to optimize thermal management and accelerate heat dissipation.
- Housing is pre-painted with standard white powder coat finish that is corrosion resistant.
- Flat tempered glass lens protects LEDs.

Optics

- Industry-leading LEDs with 4000K or 5000K CCT (minimum 80 CRI).
- Lumen Maintenance: >100,000 hours (L70) ¹
- Optional clear polycarbonate reflector accessory available.

Warranty

- Backed by US LED's industry-leading Ten-Year Warranty.

| | |
|---------|------|
| Project | Date |
|---------|------|

| | |
|----------------|------|
| Catalog Number | Type |
|----------------|------|

Product Performance Summary

| | |
|---------------|---------------------|
| Lumen Output | Up to 44,923 lumens |
| Efficacy | Up to 149 LPW |
| CRI | ≥ 80 CRI |
| Available CCT | 4000K or 5000K |
| Warranty | Ten-Year Warranty |

Product Overview

The ExsaBay Infinity round LED high bay is the premier choice over traditional HID and fluorescent lighting systems. Maintaining exceptional light levels, the ExsaBay Infinity is highly durable to withstand moisture and other contaminants across its ultra-long lifetime. In addition, it is a simple one-for-one high bay retrofit solution for applications needing a round aesthetic and uniform coverage. The ExsaBay Infinity will run circles around the competition and showcase your property in the best light with best-in-class LEDs and advanced thermal management.

Product Applications

- Retail Stores
- Warehouses
- Storage Facilities
- Industrial Facilities
- Manufacturing Facilities
- Gymnasiums
- Airport Hangars
- Commercial Buildings

Product Certifications

- ETL Listed for US & Canada
- Complies with UL 1598 and CSA 22.2
- IP65 Rated; Suitable for Wet Locations
- RoHS compliant



Ordering Information

| EBI1 | | | | | | | | | | | | | | |
|--------|----------|---------------|----------|-----|-------|--------|--------|---|------|------|-------|---|----------------------------|------|
| Series | Variant | Input Voltage | Optics | CCT | Power | Finish | Sensor | | | | | | | |
| 1 | Standard | UNVL | 90-305V | 120 | 120° | 40 | 4000K | B | 100W | BK | Black | Y | Microwave Sensor | |
| | | UNVH | 347-480V | | | 50 | 5000K | C | 120W | WH | White | D | Daylight Harvesting Sensor | |
| | | | | | | | | | D | 150W | | | | |
| | | | | | | | | | E | 200W | | | | |
| | | | | | | | | | F | 250W | | | N | None |
| | | | | | | | | | G | 300W | | | | |

Example: EBI1-1-UNVL-120-50-C-BK-N

| Accessories | |
|-------------|---------------------------------|
| CLR | Clear Reflector (Polycarbonate) |
| BBU | Battery Back-Up |

¹. US LED product 'Lifetimes' refer only to the LED light engine, not the power source, and are based on the Illuminating Engineering Society's TM21 Projected Lumen Maintenance methodology at a 25° C / 77° F ambient temperature. The lifetimes are solely meant to be a guide for expected LED degradation and not a warranty or predictive of their actual life, which can be affected by ambient temperatures and other factors.

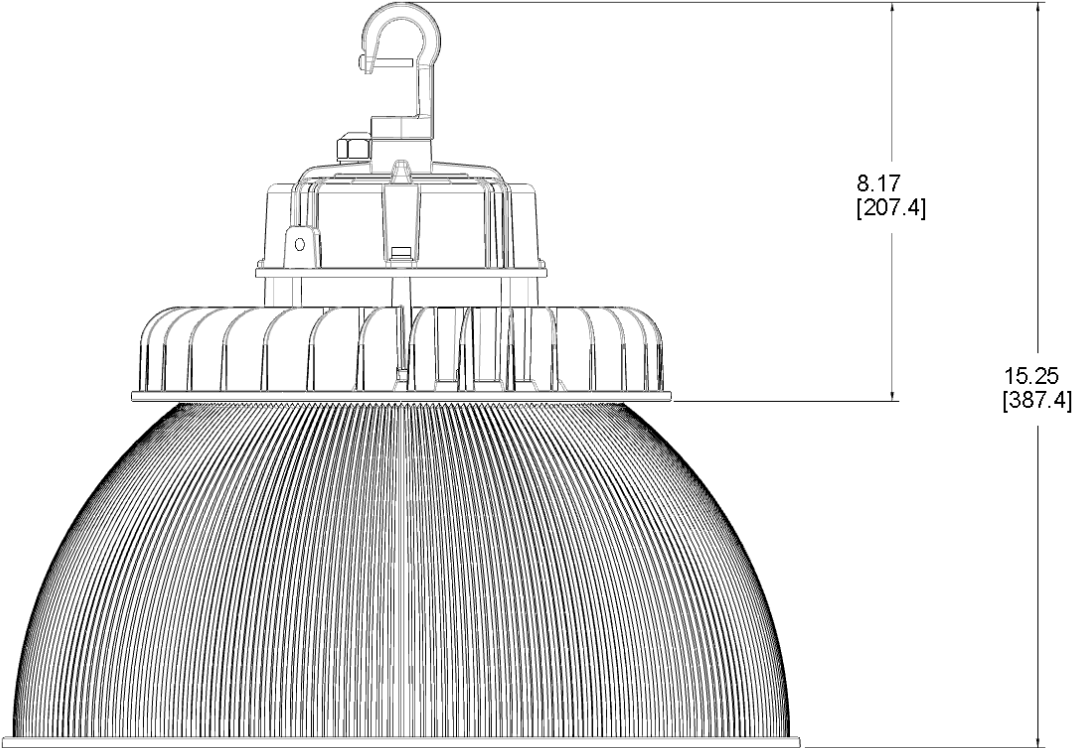
ExsaBay® Infinity

Round LED High Bay



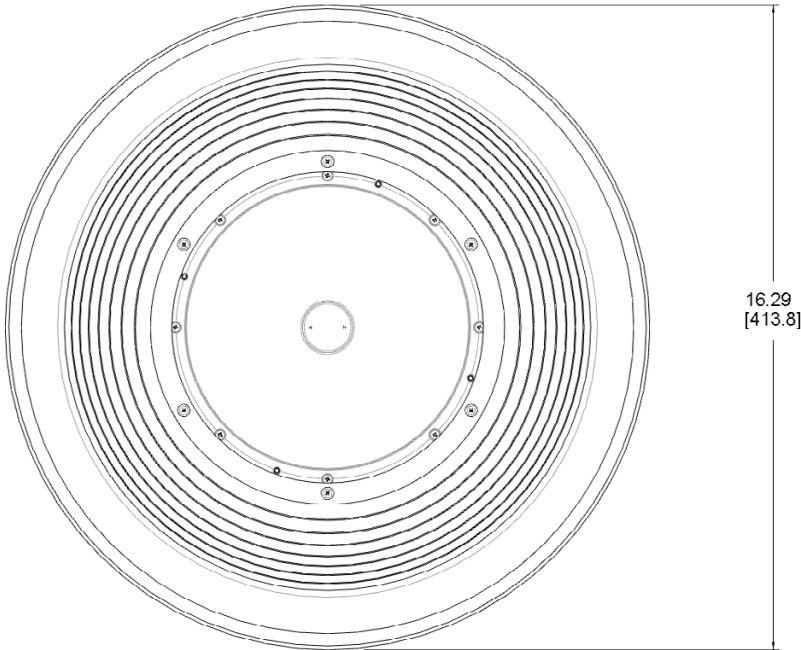
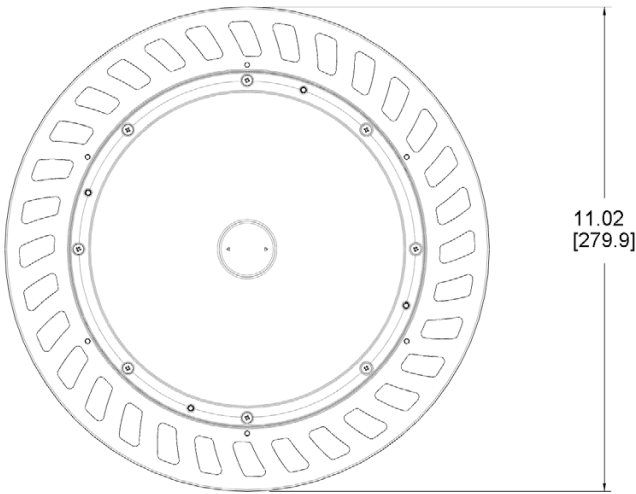
Dimensions

SIDE VIEW WITH REFRACTOR



BOTTOM VIEW WITHOUT REFRACTOR

BOTTOM VIEW WITH REFRACTOR



ExsaBay® Infinity

Round LED High Bay



Performance Data

| Model | System Level Power | Delivered Lumens | Efficacy | CCT | L70 Calculated Lifetime |
|---------------------------|--------------------|------------------|----------|-------|-------------------------|
| EB11-1-UNVL-120-40-B-XX-N | 103.7W | 14,934 | 144 | 4000K | >100,000 Hours |
| EB11-1-UNVL-120-40-C-XX-N | 123.4W | 18,325 | 149 | 4000K | >100,000 Hours |
| EB11-1-UNVL-120-40-D-XX-N | 150.9W | 22,214 | 147 | 4000K | >100,000 Hours |
| EB11-1-UNVL-120-40-E-XX-N | 205.5W | 29,970 | 146 | 4000K | >100,000 Hours |
| EB11-1-UNVL-120-40-F-XX-N | 245.9W | 35,683 | 145 | 4000K | >100,000 Hours |
| EB11-1-UNVL-120-40-G-XX-N | 306.5W | 44,923 | 147 | 4000K | >100,000 Hours |

Accessories



Clear Polycarbonate Reflector [CLR]

16" Impact Resistant Polycarbonate