



Always the Right Choice!

# TEG

## LED Architectural Recessed Troffer



### Key Features

- An aesthetically pleasing LED recessed troffer that's ideal for new construction or retrofit applications.
- Available in 1x4, 2x2, and 2x4 models.
- Designed for 1" wide T-bars.
- Optional integrated motion sensor with daylight harvesting (Smart Blu™).

### Electrical

- 120-277VAC input. <sup>2</sup>
- 0-10V dimming standard (Mark 7 interface).
- Operating temperature: -40°C to 40°C (-40°F to 104°F)

### Mounting

- Easy to install in standard T-Grid ceilings.
- Accessory kit available for narrow grid, 1/2" wide T-bars.
- Surface mounting optional with mounting kit accessory (sold separately).
- Accessory kit available for earthquake zones.

### Construction

- Housing is constructed of 22 gauge steel for exceptional durability.
- Pre-painted white finish is standard for the highest reflectance.
- Frosted ribbed acrylic lens is designed to maximize lumen output and minimize glare.
- Air return venting option available.

### Optics

- Industry-leading LEDs with 3000K, 3500K, 4000K, and 5000K CCT (minimum 80 CRI).
- Tunable white option available.
- Lumen Maintenance: >161,000 hours (L70) <sup>1</sup>

### Warranty

- Backed by US LED's industry-leading Ten-Year Warranty.

Project	Date
---------	------

Catalog Number	Type
----------------	------

### Product Performance Summary

<b>Lumen Output</b>	Up to 5,151 lumens
<b>Efficacy</b>	Up to 141 LPW
<b>CRI</b>	≥ 80 CRI
<b>Available CCT</b>	3500K, 4000K, 5000K or Tunable White (2700K-6500K)
<b>Warranty</b>	Ten-Year Warranty

### Product Overview

The TEG architectural troffer is beautifully designed for applications that require lay-in troffers and is suitable for commercial, institutional and retail opportunities. The TEG features highly efficient low glare lighting, extreme power savings, along with low installation and maintenance costs. Its sleek profile, flexible design features, and simple mounting process make the TEG the perfect choice for schools, offices and many other projects needing a simple solution for T-Grid ceilings.

### Product Applications

- Classrooms
- Conference Rooms
- Office Spaces
- Hallways/Corridors
- Industrial/Warehouses
- Convenience Stores
- Retail Areas
- Hospitals
- Health Care Facilities
- Commercial Spaces

### Product Certifications

- CSA Listed
- Complies with UL1598 and CSA 22.2
- DLC Premium Listed
- Suitable for indoor damp locations
- RoHS compliant



### Ordering Information

Example: TEG1-1-22-UNVL-25-1-50

TEG1	Series	Variant	Size	Input Voltage	Power	Driver	CCT	Battery Back-up	Air Return
	1	Standard (No Controls)	14 1x4 22 2x2 24 2x4	UNVL 120-277V	21 21W 25 25W 30 30W 40 40W 50 50W	1 Standard Driver	30 3000K 35 3500K 40 4000K 50 5000K	Blank No Battery Back-Up BU Integrated Battery Back-Up <sup>3</sup>	Blank No Venting AR Air Return Venting
	1	Standard	14 1x4 22 2x2 24 2x4	UNVL 120-277V	29 29W	3 Smart Blu Driver	T 2700K-6500K	Blank No Battery Back-Up BU Integrated Battery Back-Up <sup>3</sup>	Blank No Venting AR Air Return Venting

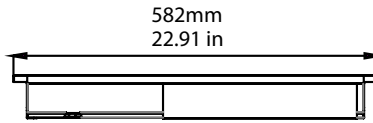
Accessories (Sold Separately)	
TDK-SMK-1-14	1x4 Surface Mount Kit
TDK-SMK-1-22	2x2 Surface Mount Kit
TDK-SMK-1-24	2x4 Surface Mount Kit
DW-14-GB	1x4 Drywall Flange Kit
DW-22TX	2x2 Drywall Flange Kit
DW-24TX	2x4 Drywall Flange Kit
TDK1-22-NGR	2x2 1/2" Wide T-Bar Kit
TDK1-24-NGR	1x4/2x4 1/2" Wide T-Bar Kit
TDK1-2XCA	2x2/2x4 - 2 ft. Lift Rail Kit for Earthquake Zones
TDK1-1XCA	1x4 - 1 ft. Lift Rail Kit for Earthquake Zones

1. US LED product 'Lifetimes' refer only to the LED light engine, not the power source, and are based on the Illuminating Engineering Society's TM21 Projected Lumen Maintenance methodology at a 25° C / 77° F ambient temperature. The lifetimes are solely meant to be a guide for expected LED degradation and not a warranty or predictive of their actual life, which can be affected by ambient temperatures and other factors.  
 2. Canadian 347VAC available upon request, but not DLC Listed.  
 3. Battery Back-Up Option [B] only available in 2x2 and 2x4 sizes.

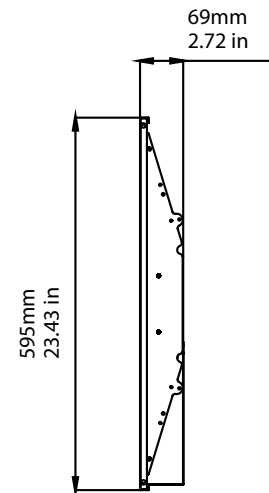
### Dimensions

Model	Net Weight
2x2	8 lbs. (3.6kg)
2x4	13 lbs. (5.9kg)

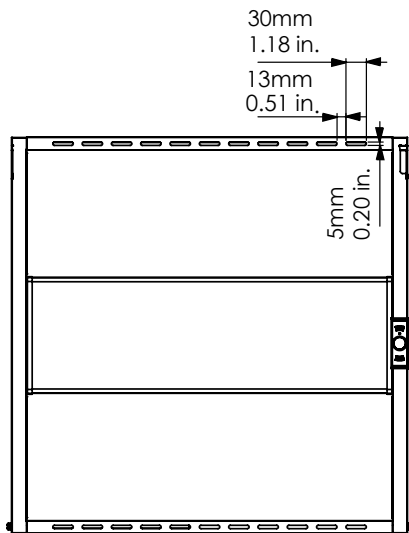
**2x2 Model (Side View)**



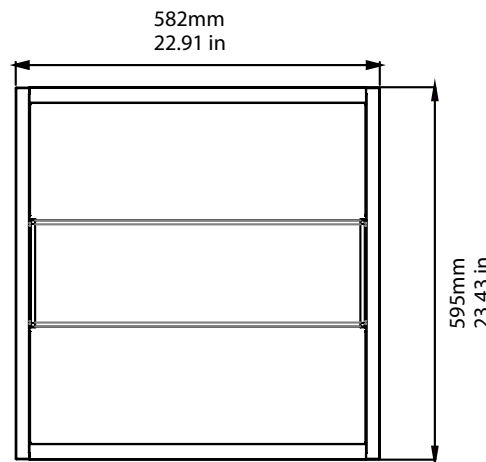
**2x2 Model (End View)**



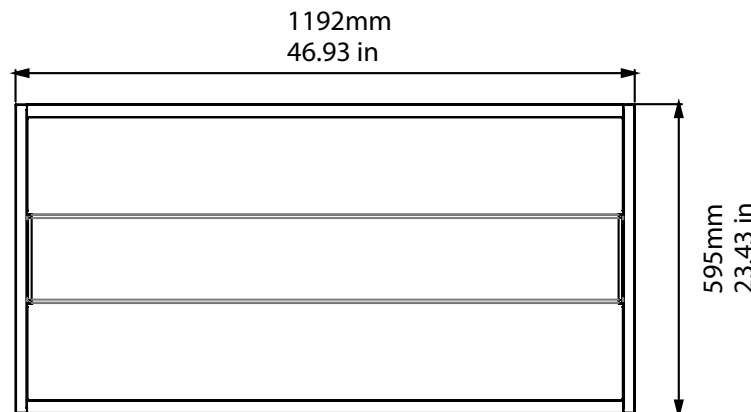
**2x2 Model With Air Return Option (Bottom View)**



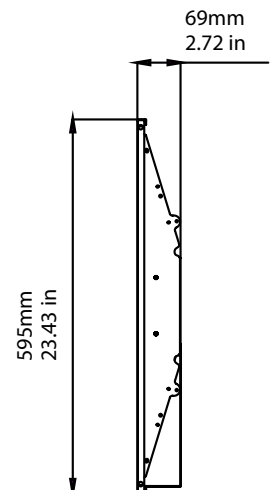
**2x2 Model (Bottom View)**



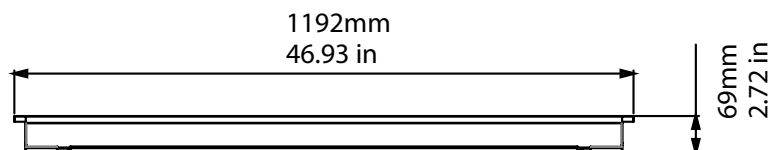
**2x4 Model (Bottom View)**



**2x4 Model (End View)**



**2x4 Model (Side View)**



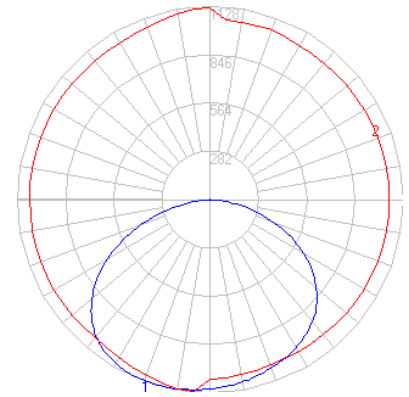
### Performance Data

#### Luminaire Photometric Data

Model Number	<b>TEG1-1-24-UNVL-25-50</b>
Issue Date	<b>02/26/2019</b>
IESNA	<b>LM-63-2002</b>
Lamp	<b>LED</b>
Total Input Watts	<b>24.7</b>
Total Lumens	<b>3,520</b>
Efficacy	<b>141 LPW</b>
Spacing Criterion	<b>0°-180° = 1.28   90°-270° = 1.48</b>

#### Zonal Lumen Summary

Zone	Lumens	% Fixt
0-30	872.11	24.80
0-40	1444.16	41.00
0-60	2633.52	74.80
0-90	3518.30	100.00
0-180	3520.09	100.00



Model	System Level Power	Delivered Lumens	Efficacy	CCT	L70 Calculated Life	L85 Calculated Life
TEG1-1-14-UNVL-25-1-30	25.3W	3,220	127 LPW	3000K	161,000 Hours	75,000 Hours
TEG1-1-14-UNVL-25-1-35	25.3W	3,230	128 LPW	3500K	161,000 Hours	75,000 Hours
TEG1-1-14-UNVL-25-1-40	25.3W	3,390	134 LPW	4000K	161,000 Hours	75,000 Hours
TEG1-1-14-UNVL-25-1-50	25.3W	3,320	131 LPW	5000K	161,000 Hours	75,000 Hours
TEG1-1-14-UNVL-30-1-30	30.6W	3,760	123 LPW	3000K	161,000 Hours	75,000 Hours
TEG1-1-14-UNVL-30-1-35	30.6W	3,879	127 LPW	3500K	161,000 Hours	75,000 Hours
TEG1-1-14-UNVL-30-1-40	30.6W	3,910	128 LPW	4000K	161,000 Hours	75,000 Hours
TEG1-1-14-UNVL-30-1-50	30.6W	3,980	130 LPW	5000K	161,000 Hours	75,000 Hours
TEG1-1-22-UNVL-25-1-30	25.0W	3,160	126 LPW	3000K	161,000 Hours	75,000 Hours
TEG1-1-22-UNVL-25-1-35	25.0W	3,250	130 LPW	3500K	161,000 Hours	75,000 Hours
TEG1-1-22-UNVL-25-1-40	25.0W	3,260	131 LPW	4000K	161,000 Hours	75,000 Hours
TEG1-1-22-UNVL-25-1-50	25.0W	3,330	133 LPW	5000K	161,000 Hours	75,000 Hours
TEG1-1-22-UNVL-30-1-30	31.3W	3,880	124 LPW	3000K	161,000 Hours	75,000 Hours
TEG1-1-22-UNVL-30-1-35	31.3W	3,990	128 LPW	3500K	161,000 Hours	75,000 Hours
TEG1-1-22-UNVL-30-1-40	31.3W	4,040	129 LPW	4000K	161,000 Hours	75,000 Hours
TEG1-1-22-UNVL-30-1-50	31.3W	4,110	131 LPW	5000K	161,000 Hours	75,000 Hours
TEG1-1-24-UNVL-25-1-30	24.7W	3,370	135 LPW	3000K	161,000 Hours	75,000 Hours
TEG1-1-24-UNVL-25-1-35	24.7W	3,320	135 LPW	3500K	161,000 Hours	75,000 Hours
TEG1-1-24-UNVL-25-1-40	24.7W	3,330	137 LPW	4000K	161,000 Hours	75,000 Hours
TEG1-1-24-UNVL-25-1-50	24.7W	3,520	141 LPW	5000K	161,000 Hours	75,000 Hours
TEG1-1-24-UNVL-30-1-30	30.5W	3,680	120 LPW	3000K	161,000 Hours	75,000 Hours
TEG1-1-24-UNVL-30-1-35	30.5W	3,800	125 LPW	3500K	161,000 Hours	75,000 Hours
TEG1-1-24-UNVL-30-1-40	30.5W	3,830	126 LPW	4000K	161,000 Hours	75,000 Hours
TEG1-1-24-UNVL-30-1-50	30.5W	3,910	128 LPW	5000K	161,000 Hours	75,000 Hours
TEG1-1-24-UNVL-40-1-40	40.0W	5,151	129 LPW	4000K	161,000 Hours	75,000 Hours
TEG1-1-24-UNVL-40-1-50	40.0W	5,128	128 LPW	5000K	161,000 Hours	75,000 Hours

### Accessories

**TDK-SMK-1-14 1x4 Surface Mount Kit**

**TDK-SMK-1-22 2x2 Surface Mount Kit**

**TDK-SMK-1-24 2x4 Surface Mount Kit**

### Overview

The TDK-SMK surface mount kits allow for US LED's TDK and TEG recessed lighting solutions to be field installed in plenum-less spaces. Designed for use on the surface of drywall or concrete ceilings, these surface mount kits are ideal for offices, educational facilities, healthcare facilities, and any other indoor applications where surface mount troffer installation is required. The TDK-SMK is available in 1x4, 2x2, or 2x4 configurations.

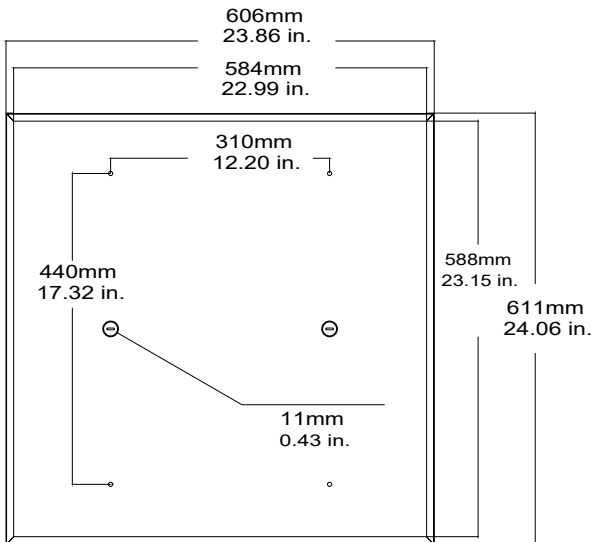
### Key Features

- Surface mounted kits that facilitate easy installation of recessed troffers in non-plenum spaces.
- Available in 1x4, 2x2, or 2x4 configurations.
- Multiple knockouts offer flexible location for power feed.
- Extruded aluminum construction with white powder coat finish ensures maximum protection against potential rust.
- Formed edges are smooth for safe handling while installing.
- Mounting holes provided for surface mounting to the ceiling.

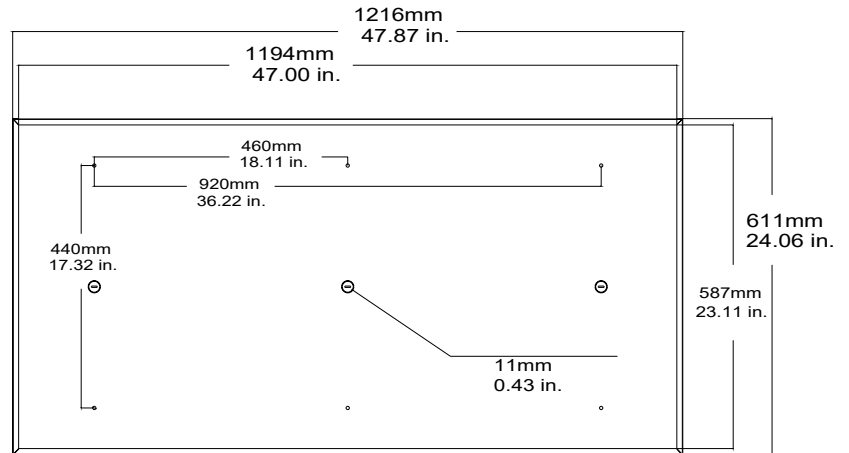


### Specifications

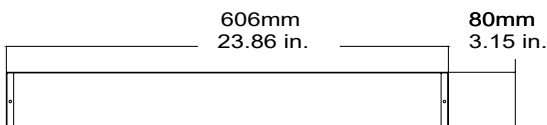
**2x2 (Top View)**



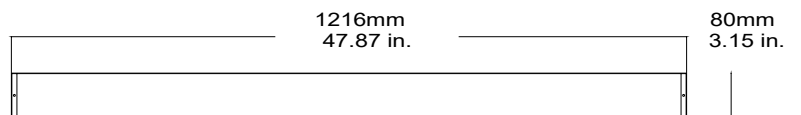
**2x4 (Top View)**



**2x2 (Side View)**



**2x4 (Side View)**



### Accessories

**DW-14-GB 1x4 Drywall Flange Kit**

**DW-22TX 2x2 Drywall Flange Kit**

**DW-24TX 2x4 Drywall Flange Kit**

### Overview

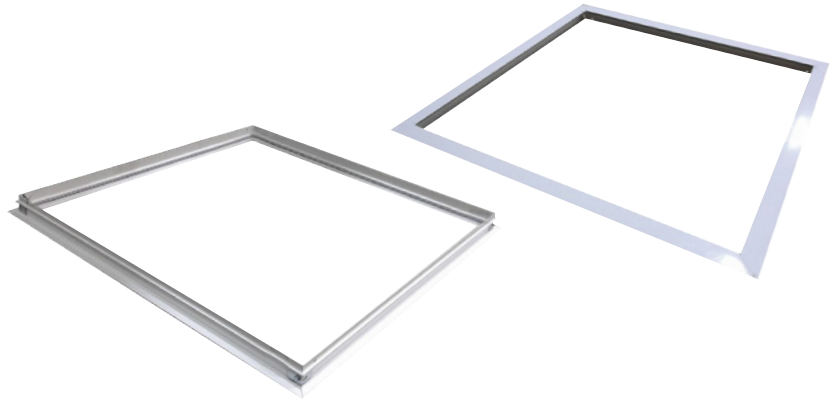
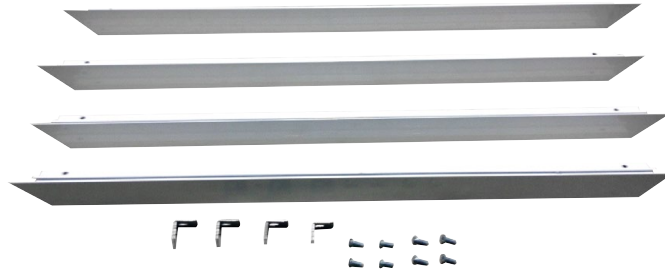
Drywall flange kits act as T-Bar frames to support recessed troffer luminaires in wood, drywall, or plaster ceilings. From the room side, flange kits mimic the appearance of T-Bars in a baked white enamel finish.

### Key Features

- 22 gauge steel, pre-painted white finish.
- All kits include: (2) side flanges, (2) end flanges, (4) corner brackets, and (8) thread cutting screws.

### Specifications

- 1x4 Rough Opening: 48.66" x 12.74"
- 2x2 Rough Opening: 24.66" x 24.66"
- 2x4 Rough Opening: 48.66" x 24.74"

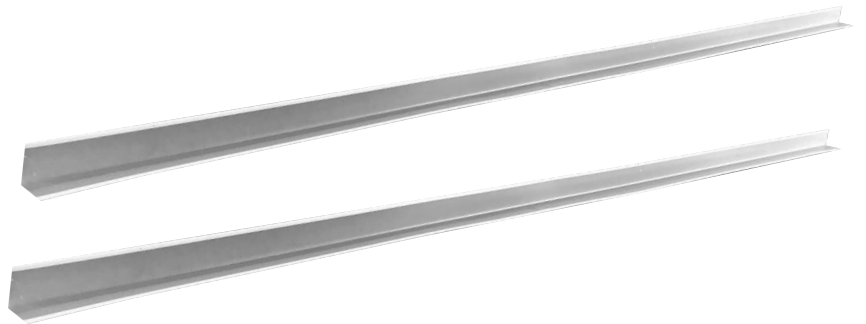


**TDK1-NGR-24 1x4/2x4 1/2" Wide T-Bar Kit**

**TDK1-NGR-22 2x2 1/2" Wide T-Bar Kit**

### Overview

1/2" wide T-Bar brackets are designed to support recessed troffer luminaires on narrow (1/2" wide) T-Grids. Simple to install with 1/2" long sheet metal screws (not included).



**TDK1-2XCA 2 ft. Lift Rail Kit for Earthquake Zones (2x2/2x4)**

**TDK1-1XCA 1 ft. Lift Rail Kit for Earthquake Zones (1x4)**

### Overview

The TDK1-2XCA-KIT and TDK1-1XCA-KIT are designed to allow you to attach an old fluorescent fixture to the T-Grid for added security as required by some local codes.

