

INSTALLATION INSTRUCTIONS

Please read and save these instructions. Read carefully before using product. Protect yourself and others by observing all safety information, warnings and cautions. Failure to comply with instructions could result in personal injury and/or damage to product or property. Please retain instruction sheet for future reference.

⚠ IMPORTANT SAFETY INSTRUCTIONS ⚠

All electrical connections must be in accordance with local codes, ordinances and the National Electric Code. If you are unfamiliar with methods of installing electrical wiring, secure the services of a qualified licensed electrician.

1. Read and follow all safety instructions.
2. All electrical connections must be in accordance with local codes, ordinances and the National Electric Code. This product operates on 120-277V AC; always confirm the maximum wattage of the linear fixture does not exceed the maximum wattage of the circuit it is connected to. If you are unfamiliar with methods of installing electrical wiring, secure the services of a qualified licensed electrician.
3. Do not install the linear fixture if any damage is seen on the product or power cables.
4. Prior to starting the installation, disconnect the power by turning off the circuit breaker or removing the appropriate fuse. (Turning off power using the light switch is not sufficient to prevent electrical shock).



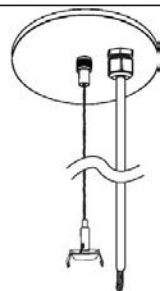
TURN OFF ELECTRICITY

at main fuse box (or circuit breaker box) before beginning installation by switching circuit breaker off or removing fuse. MIN 90° C SUPPLY CONDUCTORS.



CONSULT A QUALIFIED ELECTRICIAN TO ENSURE CORRECT BRANCH CIRCUIT

RATED 120-277 VOLT AC
MAX CURRENT 5A 120V 600W | 277V 1,385W



POWER FEED CANOPY
J-BOX REQUIRED

PAGE 3



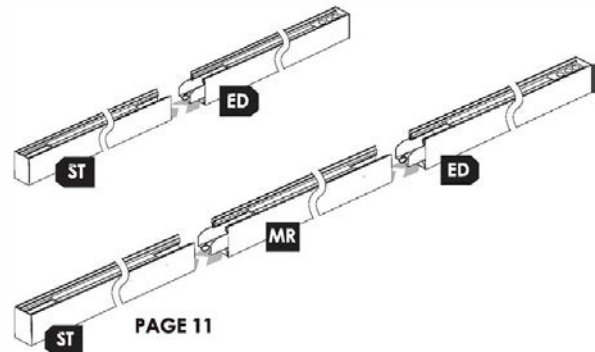
NO FEED CANOPY
J-BOX OR DIRECT CEILING

PAGE 4



DIRECT CEILING

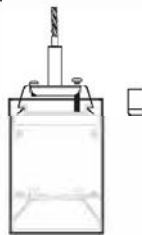
PAGE 5



PAGE 11

CEILING MOUNTING INSTALLATIONS

MULTIPLE FIXTURES INSTALLATIONS



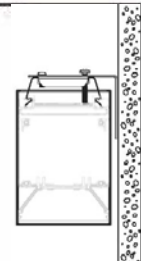
SUSPENSION MOUNTING
INSTALLATIONS

PAGE 6



SURFACE MOUNTING
INSTALLATIONS

PAGE 8



WALL MOUNTING
INSTALLATIONS

PAGE 10

LAS1

LED Architectural Strip

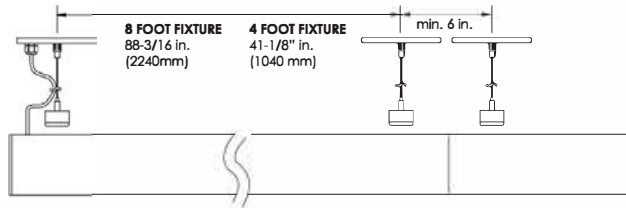
Project _____ Date _____

Catalog Number _____ Type _____

PARTS INCLUDED

	PAGE 3 POWER FEED CANOPY LIN-PD-KIT-PF-(WH/BK)-(8FT/20FT)	PAGE 4 NO FEED CANOPY LIN-PD-KIT-NF-(WH/BK)-(8FT/20FT)	PAGE 5 DIRECT TO CEILING LIN-PD-KIT-DC-(8FT/20FT)
MOUNTING BRACKET TO J-BOX			✗
MOUNTING HARDWARE	J-BOX MOUNTING BRACKET WITH GROUND WIRE J-BOX MOUNTING SCREWS (8-32)	J-BOX MOUNTING BRACKET J-BOX MOUNTING SCREWS (8-32) TOGGLE BOLTS	TOGGLE BOLT
CANOPY	 POWER FEED CANOPY WITH CORD GRIP	 NO FEED CANOPY	✗
AIRCRAFT CABLE SET	 AIRCRAFT CABLE AIRCRAFT CABLE GRIPPER FIXTURE CLIP	 AIRCRAFT CABLE AIRCRAFT CABLE GRIPPER FIXTURE CLIP	 AIRCRAFT CABLE AIRCRAFT CABLE GRIPPER FIXTURE CLIP
WIRE NUTS		✗	✗
5 WIRE CABLE		✗	✗

Recommended distant for canopy installation



BEFORE PROCEEDING TO NEXT PAGE



⚡ TURN OFF ELECTRICITY
at main fuse box (or circuit breaker box) before beginning installation by switching circuit breaker off or removing fuse.
MIN 90° C SUPPLY CONDUCTORS.

! CONSULT A QUALIFIED ELECTRICIAN TO ENSURE CORRECT BRANCH CIRCUIT
RATED 120-277 VOLT AC



PHILLIPS SCREWDRIVER

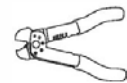


MEASURING TAPE

TOOLS REQUIRED



WIRE STRIPPER



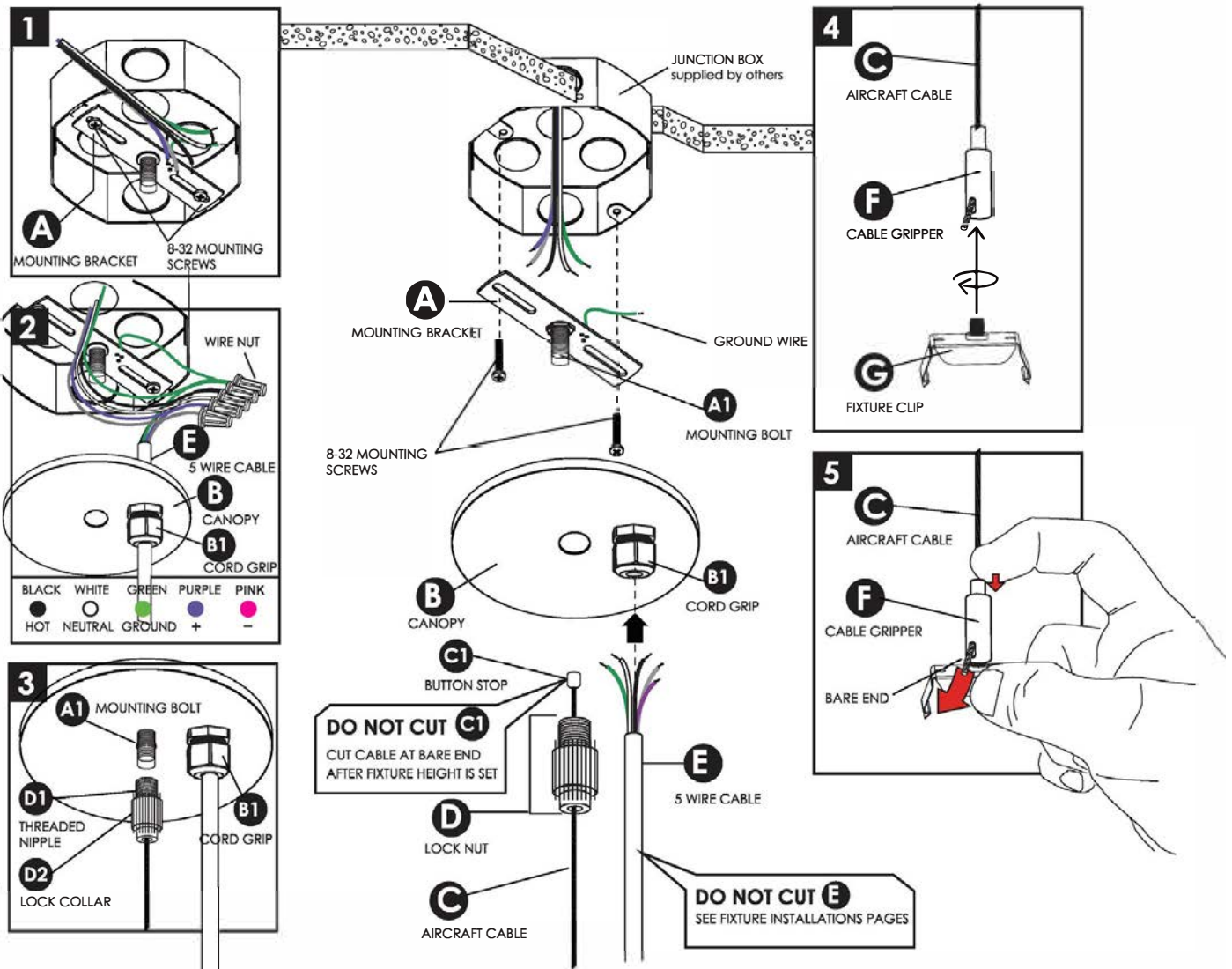
CABLE CUTTER



LAS1

LED Architectural Strip

POWER FEED CANOPY INSTALLATION INSTRUCTIONS

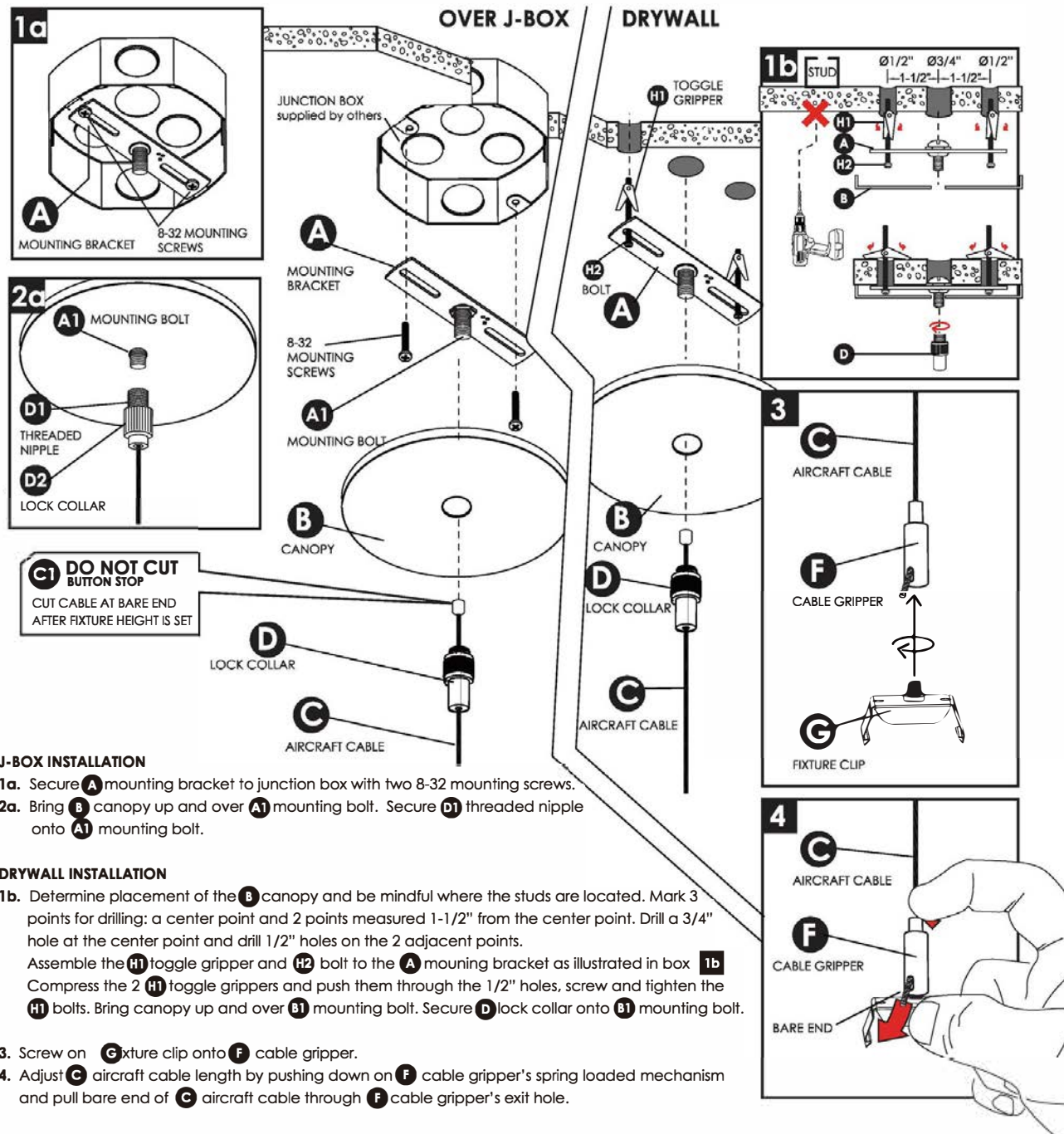


1. Secure **A** mounting bracket to junction box with two 8-32 mounting screws.
2. Feed **E** 5 wire cable through **B1** cord grip on **B** canopy, connect supply wires to **E** 5 wire cable matching color of the wires. Secure all connections with wire nuts. Lock **E** 5 wire cable in place with cord grip.
3. Carefully tuck all connected wires inside of junction box, bring canopy up and over **A1** mounting bolt. Secure **D1** threaded nipple onto **A1** mounting bolt, then screw on **D2** lock collar up against **B** canopy.
4. Screw on **G** fixture clip onto **F** aircraft cable gripper.
5. Adjust **C** aircraft cable length by pushing down on **F** cable gripper's spring loaded mechanism and then pull bare end of **C** aircraft cable through **F** cable gripper's exit hole.

LAS1

LED Architectural Strip

NO FEED CANOPY-OVER J-BOX OR DRYWALL INSTALLATIONS



J-BOX INSTALLATION

- 1a. Secure **A** mounting bracket to junction box with two 8-32 mounting screws.
- 2a. Bring **B** canopy up and over **A1** mounting bolt. Secure **D1** threaded nipple onto **A1** mounting bolt.

DRYWALL INSTALLATION

- 1b. Determine placement of the **B** canopy and be mindful where the studs are located. Mark 3 points for drilling: a center point and 2 points measured 1-1/2" from the center point. Drill a 3/4" hole at the center point and drill 1/2" holes on the 2 adjacent points. Assemble the **H1** toggle gripper and **H2** bolt to the **A** mounting bracket as illustrated in box **1b**. Compress the 2 **H1** toggle grippers and push them through the 1/2" holes, screw and tighten the **H1** bolts. Bring canopy up and over **B1** mounting bolt. Secure **D** lock collar onto **B1** mounting bolt.
3. Screw on **G** fixture clip onto **F** cable gripper.
4. Adjust **C** aircraft cable length by pushing down on **F** cable gripper's spring loaded mechanism and pull bare end of **C** aircraft cable through **F** cable gripper's exit hole.

ON CONNECTED RUN, CANOPIES NEED TO BE SPACED A MINIMUM OF 6 INCHES APART ON CENTER

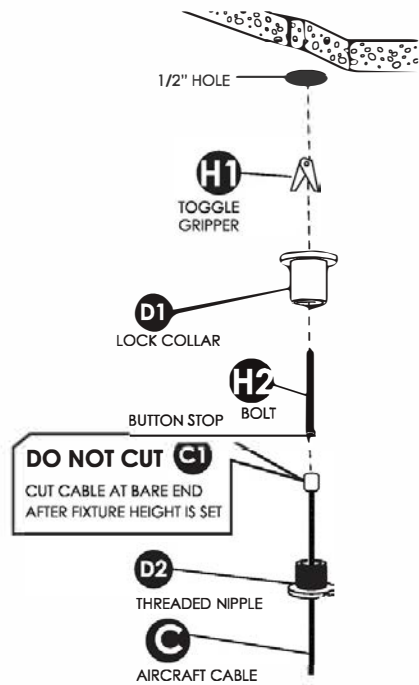
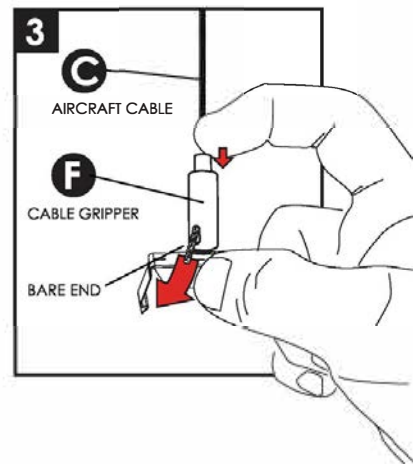
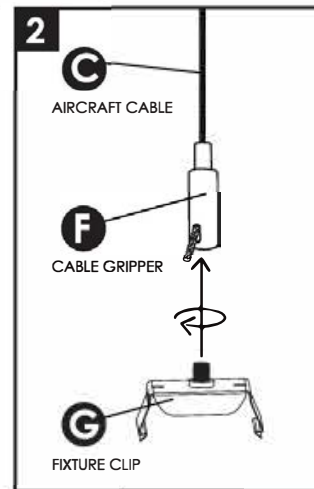
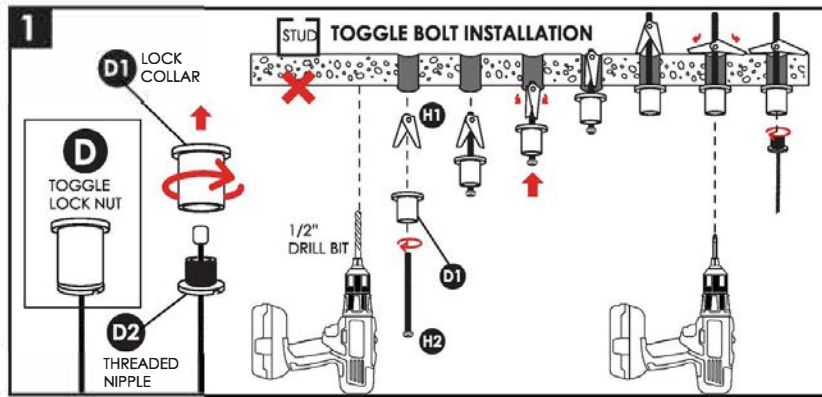
LAS1

LED Architectural Strip

Project _____ Date _____

Catalog Number _____ Type _____

DIRECT TO CEILING INSTALLATION

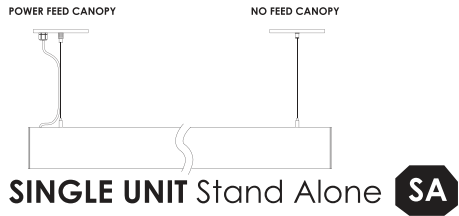


1. Reference **TOGGLE BOLT INSTALLATION** diagram above.
2. Screw on **G** fixture clip onto **F** cable gripper.
3. Adjust **C** aircraft cable length by pushing down on **F** cable gripper's spring loaded mechanism and pulling bare end of **C** aircraft cable through **F** cable gripper's exit hole.

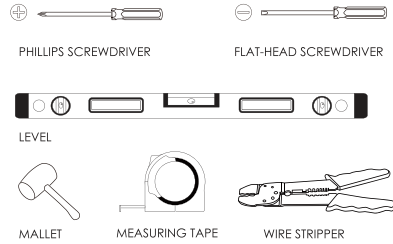
LAS1

LED Architectural Strip

SUSPENSION MOUNT INSTALLATION INSTRUCTIONS (STAND ALONE UNIT)



TOOLS REQUIRED



May require teamwork and working on ladders

1

Lay fixture on a padded surface before assembly

Identify the Female (F) and Male (M) ends - marked with labels on the knockout plates.

2

Undo screws to remove endcap from the female side of the linear fixture, followed by removal of the knockout plate. Use mallet and a flat-head screwdriver to punch one of the 3/4" knockouts from knockout plate. Save the endcap, knockout plate, and screws for later use.

See page 11 for multiple fixtures installation

3

Lift linear fixture up to already installed suspension cables. Snap fixture mounting clips onto linear fixture.

N.B.- The open Female side is to be lined up with the suspension cable that includes the power feed.

4a

USING THE FULL LENGTH 5 WIRE CABLE

Feed the 5 wire cable through the supplied wire bushing then through the knockout plate with pre-punched hole. Install the wire bushing into the knockout hole. Push in each of the 5 lead wires into the female quick connector. Use the pre-connected wires as a guide to match up the color wires. (see color coding example above)



LAS1

LED Architectural Strip

SUSPENSION MOUNT INSTALLATION INSTRUCTIONS (STAND ALONE UNIT)

4b

5 WIRE CABLE REQUIRED SHORTENING
Feed the 5 wire cable through the supplied wire bushing then through the knockout plate with pre-punched hole. Install the wire bushing into the knockout hole. Measure and cut 5 wire cable to desired length, strip ends of each wire. Cut off quick connector, strip ends of each wire. Match up color of wires and connect them with wire nuts. (see color coding example above)

N.B.- prior to cutting to desired length, remember to leave slack in the power cable which is not to be weight bearing

5

Carefully tuck all the wires inside the linear fixture. Reattach the knockout plate, followed by the endcap.

N.B.- 5 wire cable is not weight bearing and should be slack

6

Level the linear fixture by adjusting the aircraft cable on the cable gripper using a measuring level as a guide.

7

Once the fixture is leveled, secure the fixture clips in its horizontal location with the screw provided and cut the excess cable exiting the cable gripper.

8

Use color matching zip ties to tie 5 wire cable slack to aircraft cable. Narrow zip ties recommended, not included.



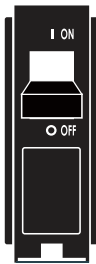
LAS1

LED Architectural Strip

Project _____ Date _____

Catalog Number _____ Type _____

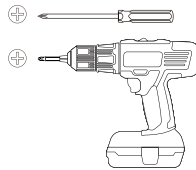
SURFACE MOUNT INSTALLATION INSTRUCTIONS (STAND ALONE UNIT)



⚡ TURN OFF ELECTRICITY
at main fuse box (or circuit breaker box) before beginning installation by switching circuit breaker off or removing fuse.
MIN 90° C SUPPLY CONDUCTORS.

! CONSULT A QUALIFIED ELECTRICIAN TO ENSURE CORRECT BRANCH CIRCUIT
RATED 120-277 VOLT AC

TOOLS REQUIRED



PHILLIPS SCREWDRIVER



1/2" DRILL BIT



PARTS INCLUDED



TOGGLE BOLTS



STANDOFF MOUNTING SCREWS



MOUNTING STANDOFF

1

8 FOOT FIXTURE
82-3/16 in. (2088mm)

4 FOOT FIXTURE
34-15/16 in. (888 mm)

BETWEEN NEXT FIXTURE
12-5/16 in. (312 mm)
See pg. 11

TOGGLE BOLT TO SGB
1-1/2 in. (38mm)

LOCK COLLAR

STANDOFF

Determine lock collar install location based on fixture length.
N.B.- SGB single gang box

2

STUD TOGGLE BOLT INSTALLATION

1/2" DRILL BIT

LOCK COLLAR

STANDOFF

Reference TOGGLE BOLT INSTALLATION diagram above to install lock collar and standoff.

3

F KNOCKOUT PLATE

M KNOCKOUT PLATE

SA

Wire Bushing

Lay fixture on a padded surface before assembly

Identify the Female (F) and Male (M) ends - marked with labels on the knockout plates.

4

KNOCKOUT PLATE

ENDCAP

3/4" 3/4" 7/8"

WIRE BUSHING

Undo screws to remove endcap from the female side of the linear fixture, followed by removing of the knockout plate. Use mallet and a flat-head screwdriver to punch one of the 3/4" knockouts from knockout plate. Install the included wire bushing, then reattach the knockout plate. Save the endcap and screws for later use.

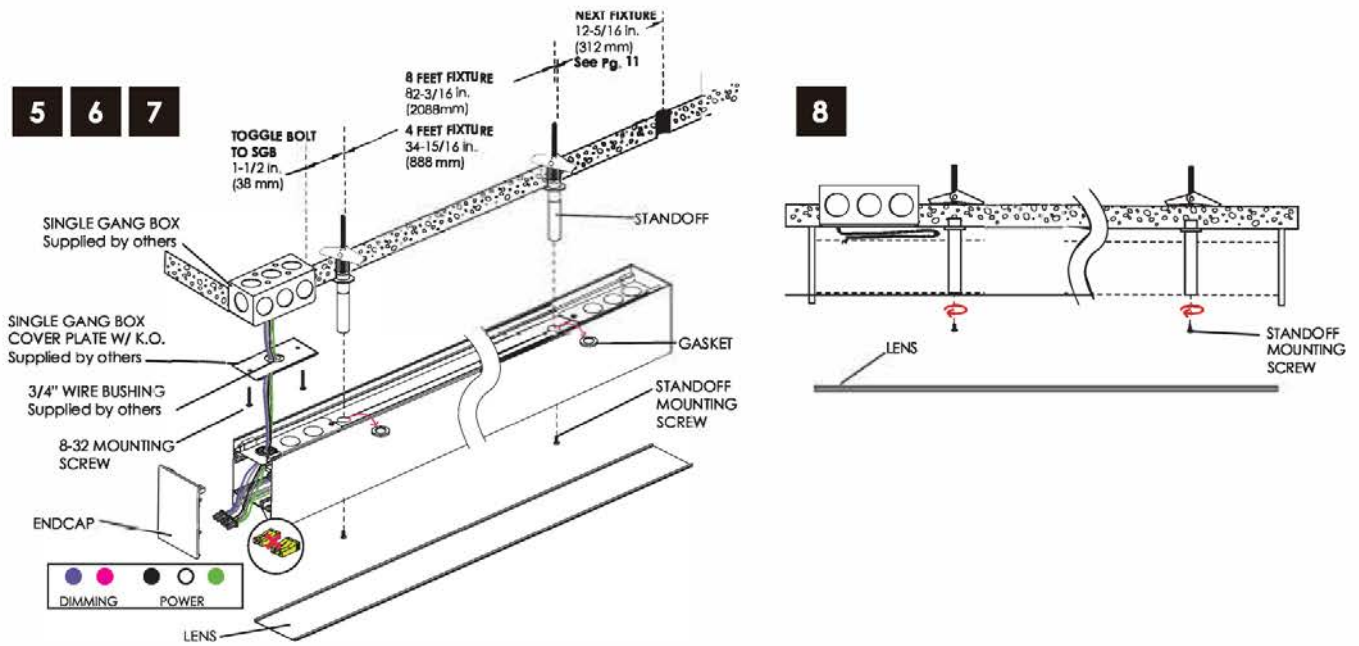
See page 11 for multiple fixtures installation



LAS1

LED Architectural Strip

SURFACE MOUNT INSTALLATION INSTRUCTIONS (STAND ALONE UNIT)



5


Cut off quick connector and strip the ends of each wire. Next, remove gaskets on back of the linear fixture. Then carefully remove the lens on the front exposing the LED board.

6

Punch out the knockout on single gang box cover plate, install 3/4" wire bushing in the knockout hole. Feed supply wires through knockout hole in single gang cover plate. Attach cover plate onto single gang box with 8-32 screws.

7

Lift the linear fixture with its open female ends below the single gang box. Feed supply wires into the knockout hole on knockout plate, measure and cut supply wire to required length and strip the ends of each wire. Match up color of wires and connect them with wire nuts. (see color coding example above) Carefully tuck all the wires inside of fixture and install endcap.



May require teamwork and working on ladders

8

Carefully lay slack wires in open space in the groove of the back of linear fixture. Match and insert standoffs to the holes on back of linear fixture. Secure mounting standoffs with screws through the bottom of the linear fixture. Carefully reinstall the lens.



LAS1

LED Architectural Strip

Project _____ Date _____

Catalog Number _____ Type _____

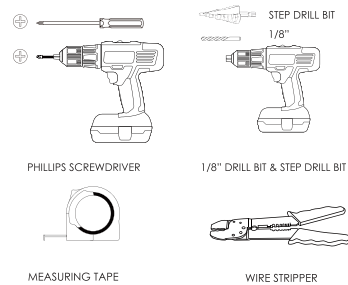
WALL MOUNT INSTALLATION INSTRUCTIONS (STAND ALONE UNIT)



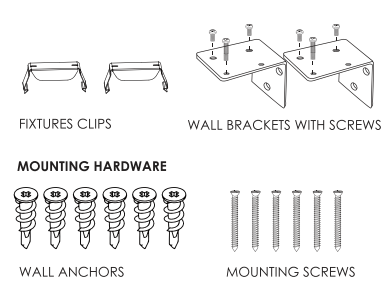
TURN OFF ELECTRICITY at main fuse box (or circuit breaker box) before beginning installation by switching circuit breaker off or removing fuse.
MIN 90° C SUPPLY CONDUCTORS.

CONSULT A QUALIFIED ELECTRICIAN TO ENSURE CORRECT BRANCH CIRCUIT RATED 120-277 VOLT AC

TOOLS REQUIRED



PARTS INCLUDED



1

Use above illustration as a guide and determine where to drill a 1/2" exit hole into the side of fixture to feed 5 wire cable. The internal power supply is about 12 inches long and installed 7 inches away from the female side endcap. Carefully drill a pilot hole with 1/8" drill bit, then use a step drill bit to enlarge the hole to 1/2". Install a 1/2" grommet in the hole.
N.B. SGB- single gang box

2

Feed 5 wire cable through the installer-drilled hole on the female quick connector. Using the pre-connected wires as a guide to match up the color wires. (see color coding example above) Carefully tuck all the wires inside of linear fixture and reattach the endcap.

3

Use wall brackets as a template and mark 3 mounting holes on wall. Drive wall anchors in the marked spots, then secure wall brackets with mounting screws. Attach fixture clips onto wall brackets with bracket screws.

Work as a team, lift linear fixture to pre-installed wall brackets.

Punch knockout from SGB cover plate, then install a 3/4" grommet in punched hole. Feed 5 wire cable exiting side of linear fixture into the SGB cover plate, match up color of supply wires and fixture wires, connect them with wire nuts. (see color coding example above) Carefully tuck connected wires inside of SGB, then attach SGB coverplate. Push slack cable inside of linear fixture and snap fixture mounting clips onto linear fixture. Install mounting clips screws onto wall brackets locking the linear fixture in place



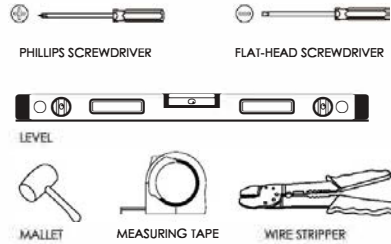
LAS1

LED Architectural Strip

INSTALLING MULTIPLE CONNECTED FIXTURES



TOOLS REQUIRED



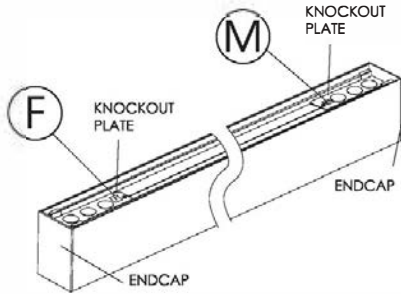
May require teamwork and working on ladders



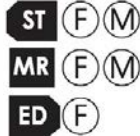
TURN OFF ELECTRICITY
at main fuse box (or circuit breaker box) before beginning installation by switching circuit breaker off or removing fuse.
MIN 90° C SUPPLY CONDUCTORS.

! Each connected run can have multiple **MR** Mid-Run fixtures, but can only have one **ST** Starter fixture and one **ED** Ender.
Maximum connected fixtures allowed electrically based on system wattage.
MAX SYSTEMWATTAGE:
120V 600W | 277V 1,385W

1



2 CONNECTED FIXTURES



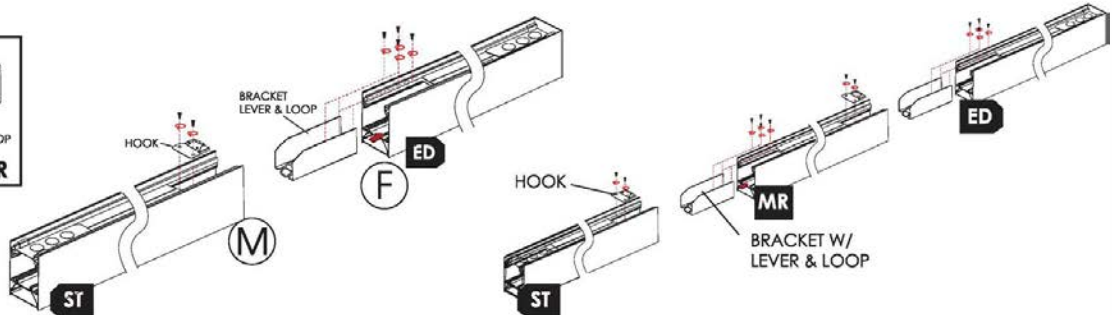
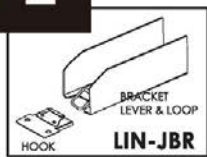
3+ CONNECTED FIXTURES



Reference **SA** fixture from single unit Installation for **ST** starter fixture female side endcap and knockout plate disassembly.

Follow above chart for required removal of endcaps. Remove knockout plates where endcaps are removed.

2



2 CONNECTED FIXTURES

Attach LIN-JBR hook onto **ST** male side into pre-threaded holes with provided screws.
Slide in LIN-JBR bracket with lever & loop into **ED** female side, attaching it into the pre-threaded holes with provided screws.

3+ CONNECTED FIXTURES

Attach LIN-JBR's hook onto **ST** and **MR** fixture male side matching pre-threaded holes with provided screws.
Slide in LIN-JBR bracket with lever & loop onto **MR** and **ED** female side, attaching it into the pre-threaded holes with provided screws.



LAS1

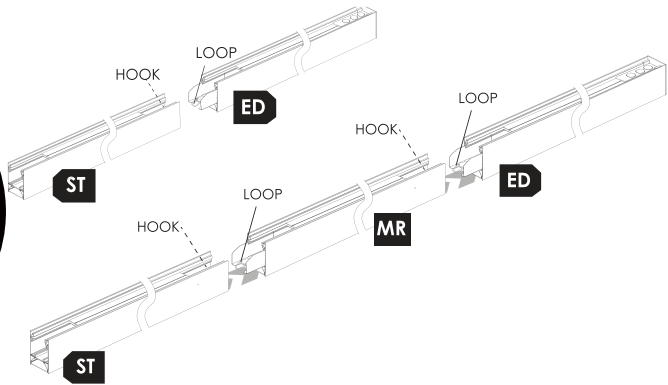
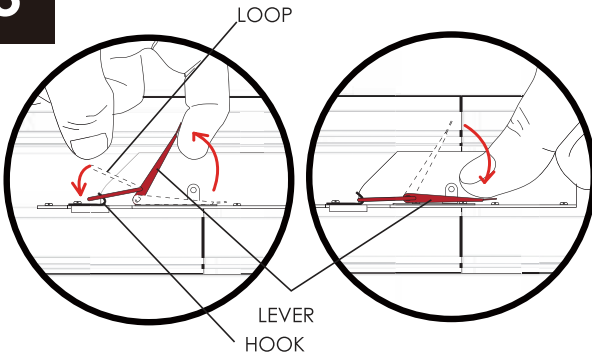
LED Architectural Strip

Project _____ Date _____

Catalog Number _____ Type _____

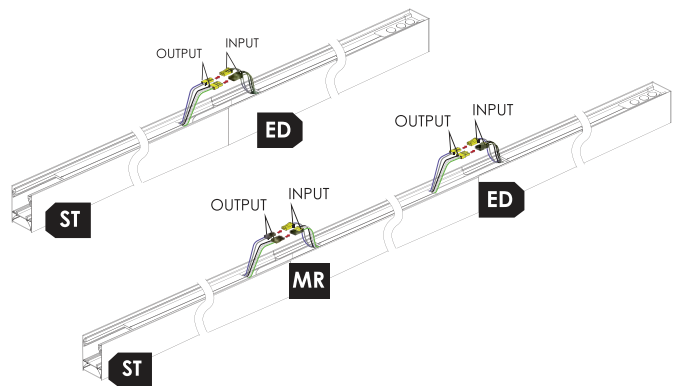
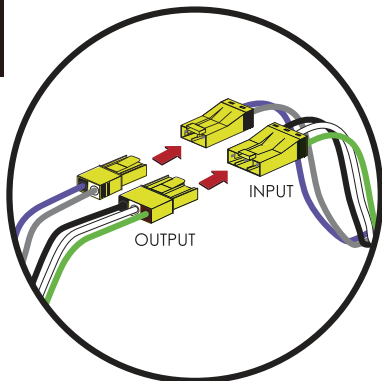
INSTALLING MULTIPLE CONNECTED FIXTURES

3



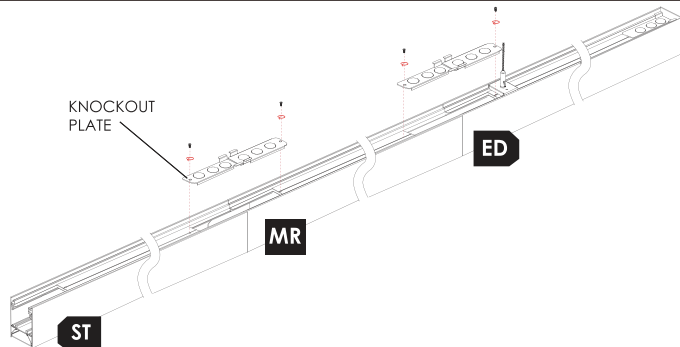
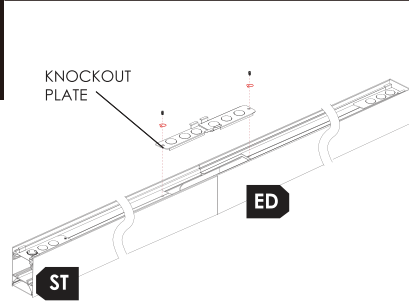
Slide fixtures installed with LIN-JBR bracket into fixtures installed with LIN-JBR hook, one at a time. On each connected section, lift lever from LIN-JBR bracket to bring loop over to installed LIN-JBR hook then press down on LIN-JBR lever to lock loop in place.

4



Connect all fixture output connectors to the adjacent fixture input connector.

5



Carefully tuck all the wires and connectors inside of fixtures. Reattach all the knockout plates.



LAS1

LED Architectural Strip

INSTRUCTIONS D'INSTALLATION

Veillez lire et conserver ces instructions. Lisez attentivement avant d'utiliser le produit. Protégez-vous et les autres en respectant toutes les informations de sécurité, les avertissements et les mises en garde. Le non-respect des instructions peut entraîner des blessures corporelles et / ou des dommages au produit ou à la propriété. Veuillez conserver la feuille d'instructions pour référence future. Toutes les connexions électriques doivent être conformes aux codes locaux, aux ordonnances et au National Electric Code. Si vous n'êtes pas familier avec les méthodes d'installation du câblage électrique, obtenez les services d'un électricien qualifié et agréé.



INFORMATIONS DE SÉCURITÉ IMPORTANTES



Toutes les connexions électriques doivent être conformes aux codes locaux, aux ordonnances et au code Électrique National. Si vous ne connaissez pas les méthodes d'installation du câblage électrique, faites appel aux services d'un électricien qualifié et agréé.

1. Lisez tout suivez toutes les instructions de tristesse
2. Toutes les connexions électriques doivent être conformes aux codes locaux, aux ordonnances et au code national de l'électricité. Ce produit fonctionne sur 120-277V, AC; toujours confirmer que la puissance maximale du luminaire linéaire ne dépasse pas la puissance maximale du circuit auquel elle est connectée, si vous n'êtes pas familier avec les méthodes d'installation du câblage électrique, faites appel aux services d'un électricien qualifié.
Do not install the linear fixture if any damage is seen on the product or power cables.
3. N'installez pas le luminaire linéaire si des dommages sont constatés sur le produit ou les câbles d'alimentation.
4. Avant de commencer l'installation, débranchez l'alimentation en désactivant le disjoncteur ou en retirant le fusible approprié. (La mise hors tension à l'aide de l'interrupteur d'éclairage n'est pas suffisante pour éviter les chocs électriques).

ÉTEINDRE L'ÉLECTRICITÉ

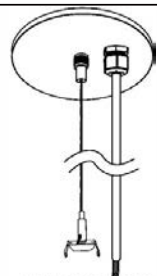


à la boîte à fusibles principale (ou à la boîte de disjoncteur) avant de commencer l'installation en coupant le disjoncteur ou en retirant le fusible.
CONDUCTEURS D'ALIMENTATION MIN 90 ° C



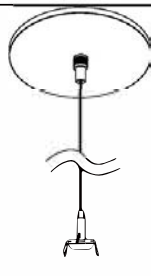
CONSULTER UN ÉLECTRICIEN QUALIFIÉ POUR S'ASSURER DU BON CIRCUIT DE BRANCHE

120-277V VOLT AC NOMINAL
COURANT MAX 5A 120V 600W / 277V 1385W



AVUENT D'ALIMENTATION ÉLECTRIQUE
J-BOX NÉCESSAIRES

PAGE 3



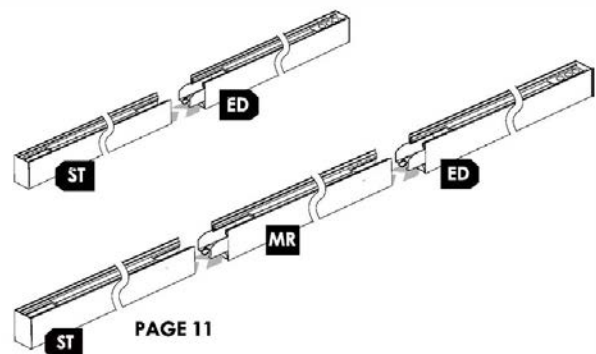
PAS DE CANOPÉE D'ALIMENTATION
J-BOX OU PLAFOND DIRECT

PAGE 4



STALLATION DIRECTE
AU PLAFOND

PAGE 5



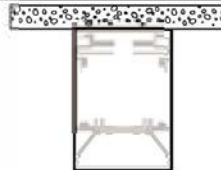
INSTALLATIONS DE PLUSIEURS LUMINAIRES

INSTALLATIONS DE MONTAGE AU PLAFOND



INSTALLATIONS DE MONTAGE
EN SUSPENSION

PAGE 6



MONTAGE EN SURFACE
INSTALLATIONS






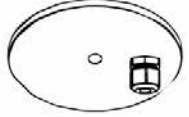
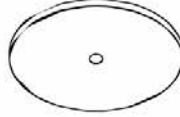





PAGE 8



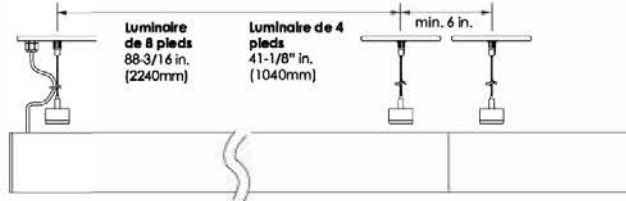
MUR MONTAGE
INSTALLATIONS

PAGE 10

PIÈCES INCLUSES

	PAGE 3 AUVENT D'ALIMENTATION ÉLECTRIQUE LIN-PD-KIT-PF-(WH/BK)-(8FT/20FT)	PAGE 4 PAS DE CANOPÉE D'ALIMENTATION LIN-PD-KIT-NF-(WH/BK)-(8FT/20FT)	PAGE 5 PLAFOND DIRECT LIN-PD-KIT-DC-(8FT/20FT)
SUPPORT DE MONTAGE J-BOX	 Support de montage j-box avec fil de terre	 support de montage J-box	✗
LE MATÉRIEL DE MONTAGE	 vis de montage (8-32) boulons à genouillère	 vis de montage (8-32) boulons à genouillère	 boulon à bascule
CANOPÉE	 auvent d'alimentation électrique avec poignée de cordon	 pas de canopée d'alimentation	✗
JEU DE CÂBLES POUR AVION	 CÂBLE D'AÉRONEF PRISE DE CÂBLE POUR AVION CLIP DE FIXATION	 CÂBLE D'AÉRONEF PRISE DE CÂBLE POUR AVION CLIP DE FIXATION	 CÂBLE D'AÉRONEF PRISE DE CÂBLE POUR AVION CLIP DE FIXATION
ÉCROUS DE FIL		✗	✗
CÂBLE À 5 FILS		✗	✗

Recommandé à distance pour l'installation de la verrière



AVANT DE PASSER À LA PAGE SUIVANTE



ÉTEINDRE L'ÉLECTRICITÉ
à la boîte à fusibles principale (ou à la boîte de disjoncteur) avant de commencer l'installation en coupant le disjoncteur ou en retirant le fusible.
CONDUCTEURS D'ALIMENTATION MIN 90 ° C

CONSULTER UN ÉLECTRICIEN QUALIFIÉ POUR VOUS ASSURER QUE LE CIRCUIT DE DÉRIVATION EST CORRECT
ÉVALUÉ 120-277-VOLTAC



TOURNEVIS CRUCIFORME

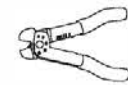


MÈTRE RUBAN

TOOLS REQUIRED



DÉVIDEUR DE RL

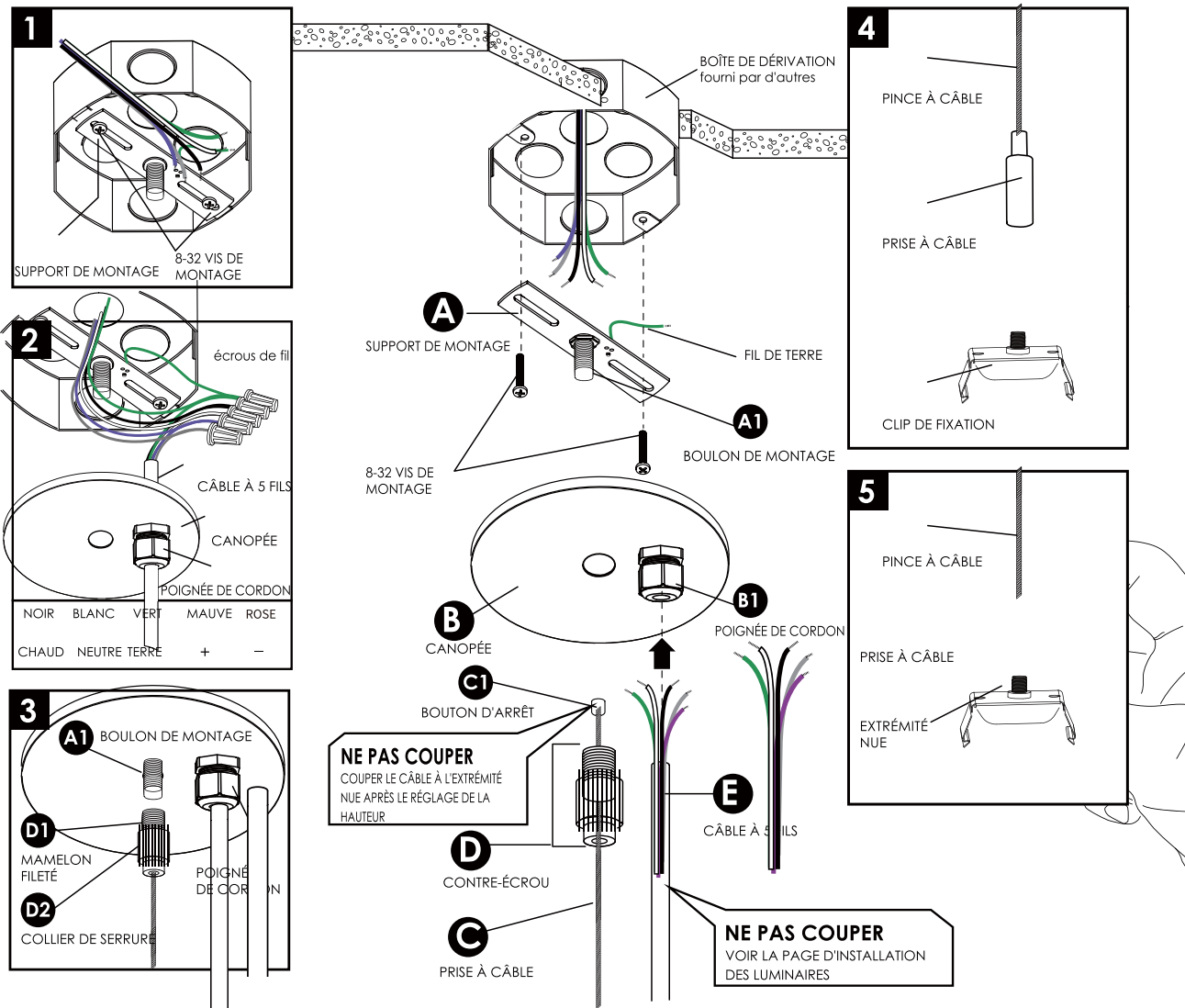


COUPE-CÂBLE

LAS1

LED Architectural Strip

INSTRUCTIONS D'INSTALLATION D'AUVANT AVEC ÉLECTRICITÉ

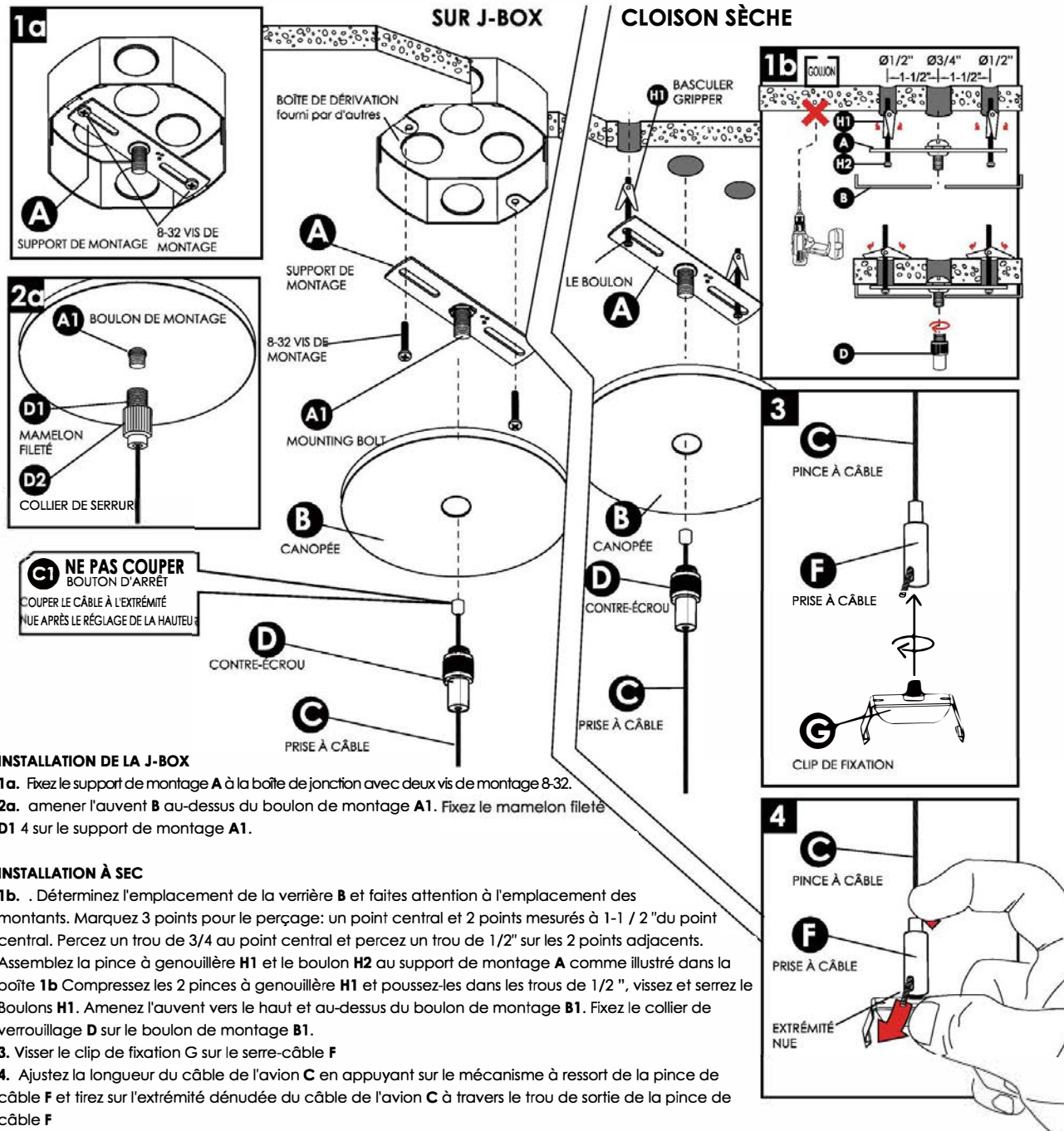


1. Fixez le support de montage **A** à la boîte de jonction avec deux vis de montage 8-32.
2. Faites passer le câble **E** à 5 fils dans la poignée du cordon **B1** de la canopée, connectez les fils d'alimentation au câble à 5 fils de la même couleur que les fils. Fixez toutes les connexions avec des serre-fils. Verrouillez le câble à 5 fils en place avec la poignée du cordon.
3. Rentrez soigneusement tous les fils connectés à l'intérieur de la boîte de jonction, ramenez la canopée au-dessus du boulon de montage **A1**. Fixez le mamelon fileté **D1** sur le boulon de montage, puis vissez le collier de verrouillage contre la canopée **B**.
4. Visser le clip de fixation **G** sur la pince **F** de câble de l'avion.
5. Ajustez la longueur du câble de l'avion **C** en poussant vers le bas sur le mécanisme à ressort **F** de la pince de câble, puis tirez l'extrémité nue de l'avion **C** à travers le trou de sortie **F** de la pince de câble.

LAS1

LED Architectural Strip

INSTRUCTIONS D'INSTALLATION D'AUVENT SANS ALIMENTATION



INSTALLATION DE LA J-BOX

- 1a. Fixez le support de montage **A** à la boîte de jonction avec deux vis de montage 8-32.
- 2a. amener l'auvent **B** au-dessus du boulon de montage **A1**. Fixez le mamelon fileté **D1** 4 sur le support de montage **A1**.

INSTALLATION À SEC

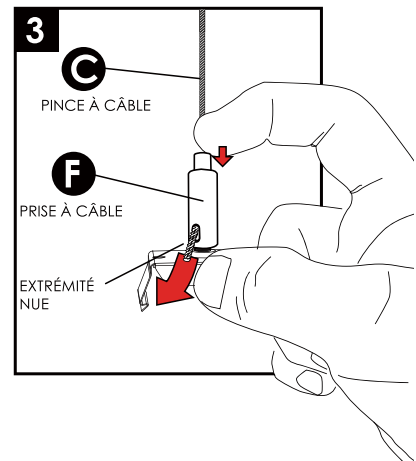
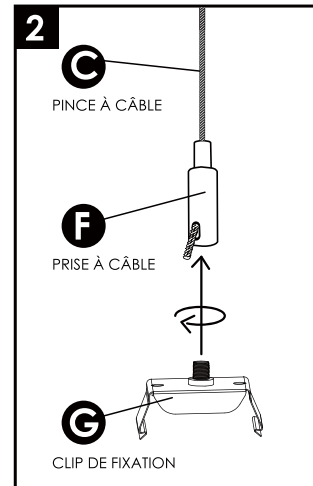
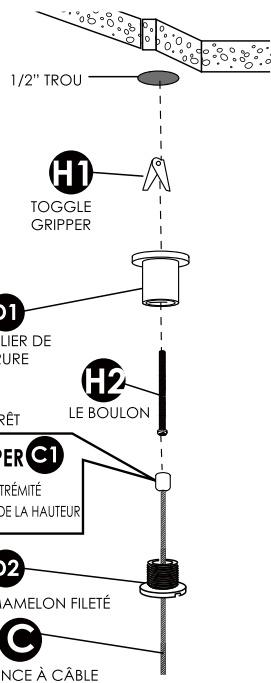
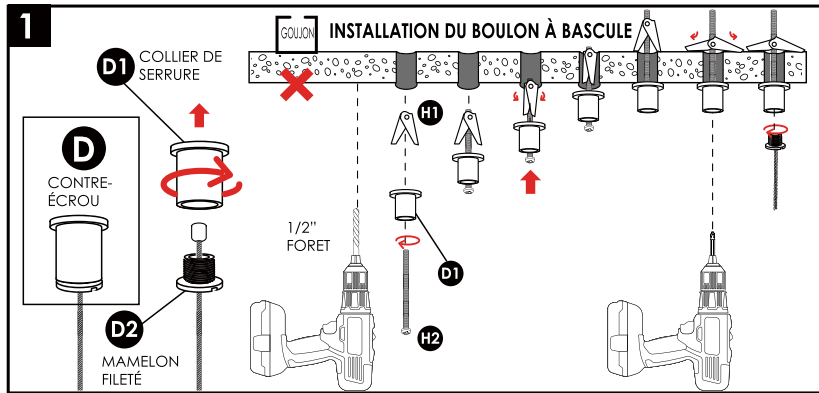
- 1b. Déterminez l'emplacement de la verrière **B** et faites attention à l'emplacement des montants. Marquez 3 points pour le perçage: un point central et 2 points mesurés à 1-1/2" du point central. Percez un trou de 3/4 au point central et percez un trou de 1/2" sur les 2 points adjacents. Assemblez la pince à genouillère **H1** et le boulon **H2** au support de montage **A** comme illustré dans la boîte **1b** Comprimez les 2 pinces à genouillère **H1** et poussez-les dans les trous de 1/2", vissez et serrez le Boulons **H1**. Amenez l'auvent vers le haut et au-dessus du boulon de montage **B1**. Fixez le collier de verrouillage **D** sur le boulon de montage **B1**.
3. Visser le clip de fixation **G** sur le serre-câble
4. Ajustez la longueur du câble de l'avion **C** en appuyant sur le mécanisme à ressort de la pince de câble **F** et tirez sur l'extrémité dénudée du câble de l'avion **C** à travers le trou de sortie de la pince de câble **F**

ON CONNECTED RUN, CANOPIES NEED TO BE SPACED A MINIMUM OF 6 INCHES APART ON CENTER

LAS1

LED Architectural Strip

INSTALLATION DIRECTE AU PLAFOND

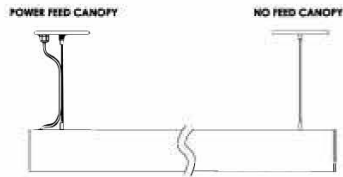


1. Référez-vous au schéma d'INSTALLATION DU BOULON À BASCULE ci-dessus pour installer le collier de verrouillage et le support
2. Visser le clip de fixation **G** sur le serre-câble **F**.
3. Ajustez la longueur du câble de l'avion **C** en appuyant sur le ressort de la pince de câble **F** à ressort mécanisme et tirant l'extrémité dénudée du câble de l'avion **F** à travers le trou de sortie de la pince de câble **F**.

LAS1

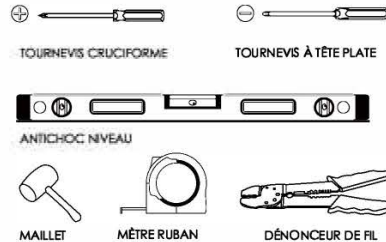
LED Architectural Strip

SUSPENSION MOUNT INSTALLATION INSTRUCTIONS (STAND ALONE UNIT)



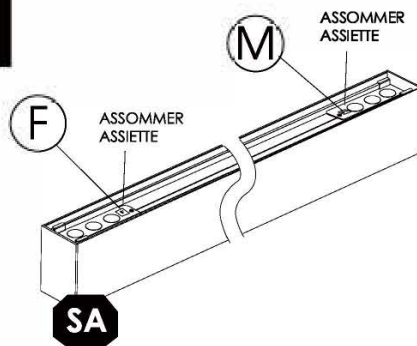
SINGLE UNIT Stand Alone SA

TOOLS REQUIRED



Peut nécessiter un travail d'équipe et travailler sur des échelles

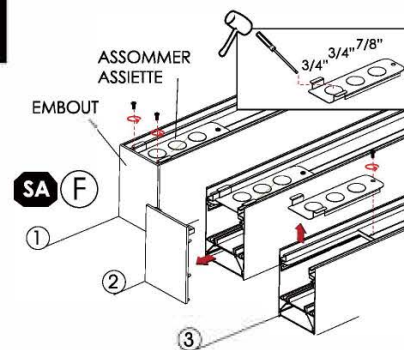
1



Poser le luminaire sur une surface rembourrée avant l'assemblage

Identifiez les extrémités femelle (F) et mâle (M) - marquées d'étiquettes sur les plaques à défoncer.

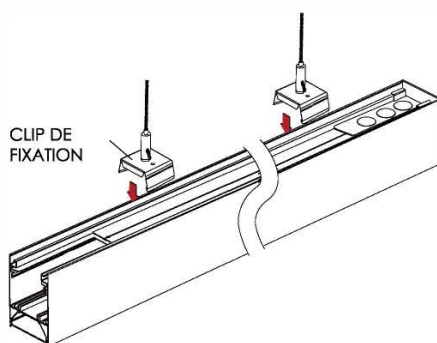
2



Desserrez les vis pour retirer le capuchon d'extrémité du côté femelle de la fixation linéaire, puis retirez la plaque à défoncer. Utilisez un maillet et un tournevis à tête plate pour percer l'un des débouchures de 3/4" de la plaque à défoncer. Conservez le capuchon d'extrémité, la plaque à défoncer et les vis pour une utilisation ultérieure.

Voir page 11 pour l'installation de plusieurs luminaires

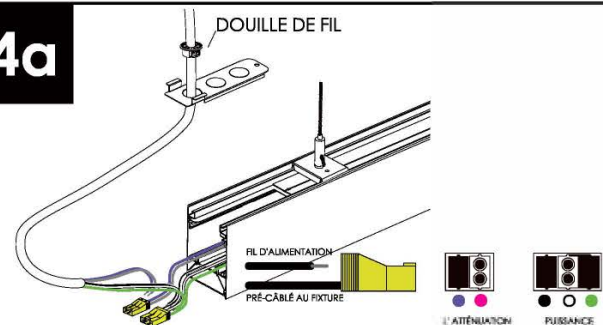
3



Soulevez le luminaire linéaire jusqu'aux câbles de suspension déjà installés. Fixez les clips de montage du luminaire sur le luminaire linéaire.

Le côté femelle ouvert doit être aligné avec le câble de suspension qui comprend l'alimentation électrique.

4a



UTILISATION DU CÂBLE À 5 FILS PLEINE LONGUEUR

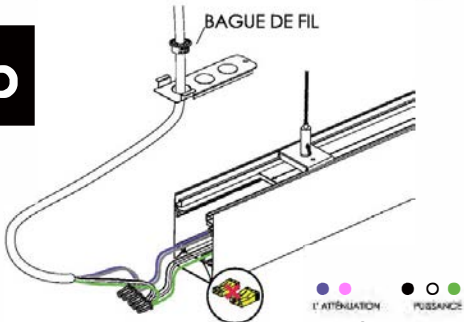
Faites passer le câble à 5 fils à travers la douille de fil fournie, puis à travers la plaque à défoncer avec le trou pré-perforé. Installez la douille de fil dans le trou à défoncer. Poussez chacun des 5 fils conducteurs dans le connecteur rapide femelle. Utilisez les fils pré-connectés comme guide pour faire correspondre les fils de couleur. (voir l'exemple de codage couleur ci-dessus)

LAS1

LED Architectural Strip

SUSPENSION MOUNT INSTALLATION INSTRUCTIONS (STAND ALONE UNIT)

4b

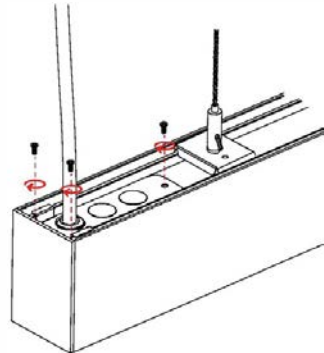


RACCOURCISSEMENT REQUIS POUR CÂBLE À 5 FILS

Faites passer le câble à 5 fils à travers la douille de fil fournie, puis à travers la plaque à défoncer avec le trou pré-perforé. Installez la douille de fil dans le trou à défoncer. Mesurez et coupez le câble à 5 fils à la longueur désirée, dénudez les extrémités de chaque fil. Coupez le connecteur rapide, dénudez les extrémités de chaque fil. Faites correspondre la couleur des fils et connectez-les avec des serre-fils. (voir l'exemple de codage couleur ci-dessus)

avant de couper à la longueur désirée, n'oubliez pas de laisser du jeu dans le câble d'alimentation qui ne doit pas porter de poids.

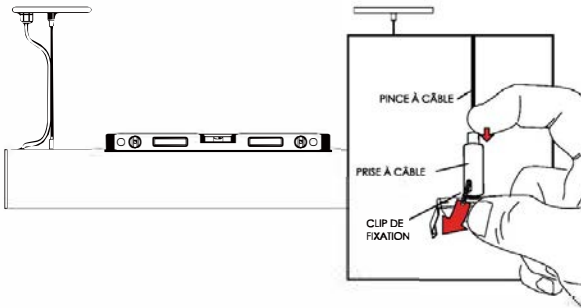
5



Rentrez soigneusement tous les fils à l'intérieur du luminaire linéaire. Remettez la plaque à défoncer, puis le capuchon d'extrémité.

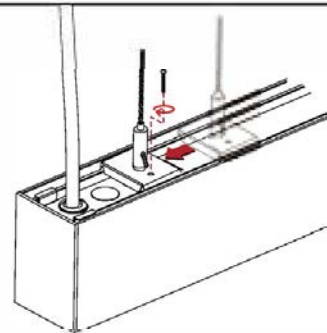
Le câble à 5 fils ne supporte pas le poids et doit être détendu.

6



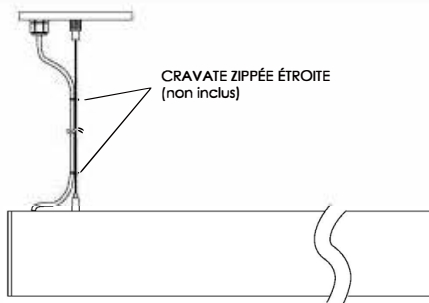
Mettez à niveau le montage linéaire en ajustant le câble de l'avion sur la pince de câble en utilisant un niveau de mesure comme guide.

7



Une fois le luminaire nivelé, fixez les clips du luminaire à son emplacement horizontal avec la vis fournie et coupez l'excédent de câble sortant du serre-câble.

8

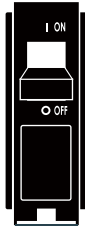


Utilisez des attaches de couleur assortie pour attacher le câble à 5 fils au câble de l'avion.
Liens à glissière étroits recommandés, non inclus.

LAS1

LED Architectural Strip

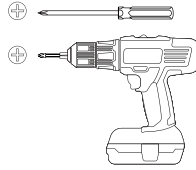
INSTRUCTIONS D'INSTALLATION POUR MONTAGE EN SURFACE (UNITÉ AUTONOME)



ÉTEINDRE L'ÉLECTRICITÉ
à la boîte à fusibles principale (ou à la boîte de disjoncteur) avant de commencer l'installation en coupant le disjoncteur ou en retirant le fusible.
CONDUCTEURS D'ALIMENTATION MIN 90 ° C

CONSULTER UN ÉLECTRICIEN QUALIFIÉ POUR VOUS ASSURER QUE LE CIRCUIT DE DÉRIVATION EST CORRECT
ÉVALUÉ 120-277-VOLTAC

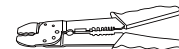
OUTILS NÉCESSAIRES



TOURNEVIS CRUCIFORME



FORET DE 1/2"



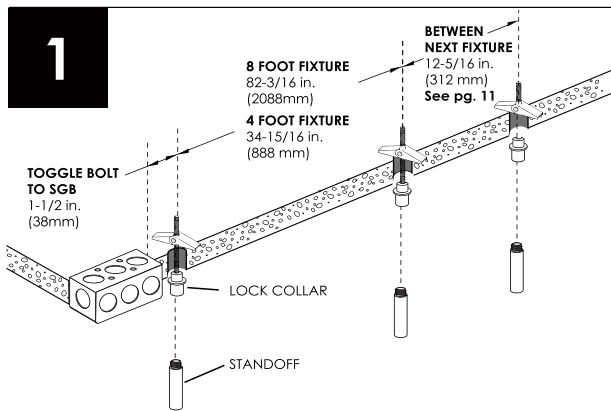
PIÈCES INCLUSES



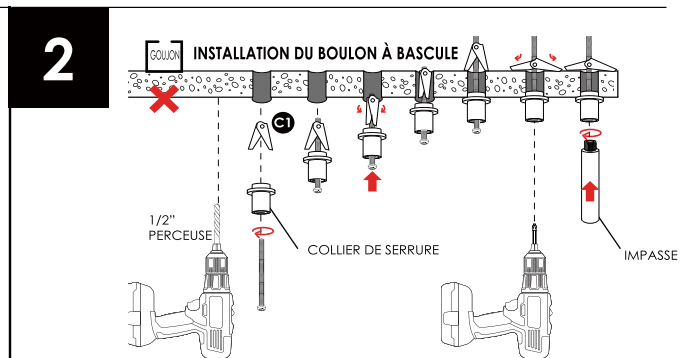
MONTAGE STANDOFF



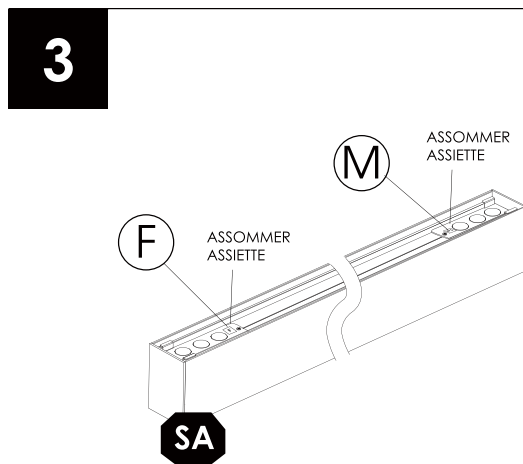
MONTAGE STANDOFF



Déterminez l'emplacement d'installation du collier de verrouillage en fonction de la longueur du luminaire.

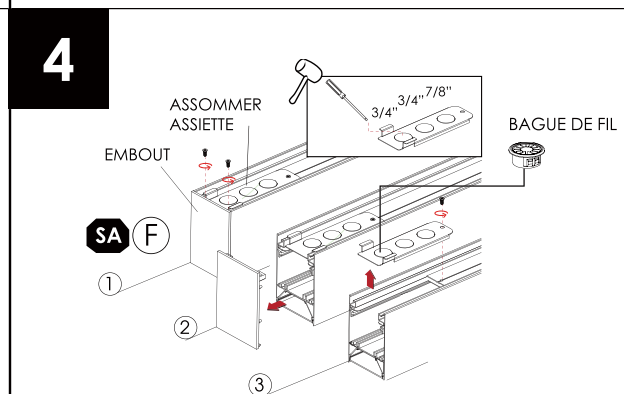


Référez-vous au schéma d'INSTALLATION DU BOULON À BASCULE ci-dessus pour installer le collier de verrouillage et l'entretoise.



Poser le luminaire sur une surface rembourrée avant l'assemblage

Identifiez les extrémités femelle (F) et mâle (M) - marquées d'étiquettes sur les plaques à défoncer.



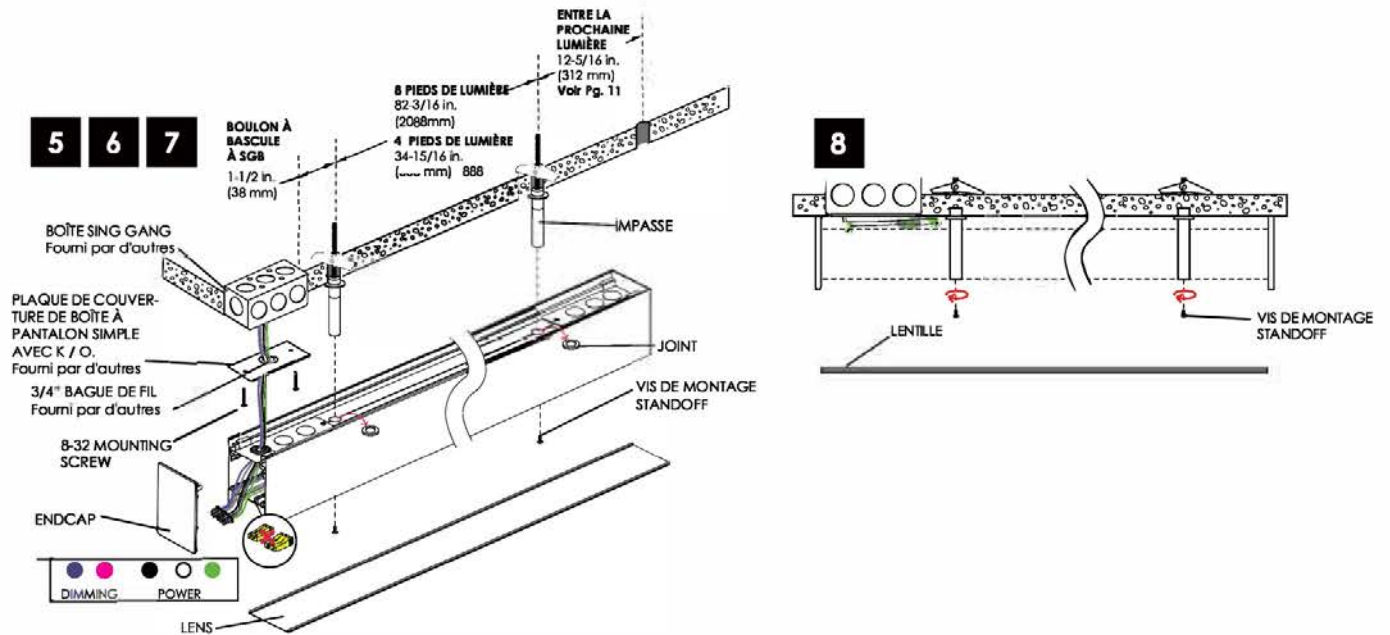
Desserrez les vis pour retirer le capuchon d'extrémité du côté femelle de la fixation linéaire, puis retirez la plaque à défoncer. Utilisez un maillet et un tournevis à tête plate pour percer l'un des débouchures de 3/4" de la plaque à défoncer. Installez la douille de fil incluse, puis remettez la plaque à défoncer. Conservez l'embout et les vis pour une utilisation ultérieure.

Voir page 11 pour l'installation de plusieurs luminaires

LAS1

LED Architectural Strip

INSTRUCTIONS D'INSTALLATION POUR MONTAGE EN SURFACE (UNITÉ AUTONOME)



5

Coupez le connecteur rapide et dénudez les extrémités de chaque fil. Ensuite, retirez les joints à l'arrière du luminaire linéaire. Ensuite, retirez soigneusement la lentille à l'avant pour exposer la carte LED.

6

Perforez le débouchure sur la plaque de recouvrement de boîte simple, installez une douille de fil de 3/4 po dans le trou débouchure. Faites passer les fils d'alimentation à travers le trou défonçable de la plaque de recouvrement simple. Fixez la plaque de recouvrement sur la boîte simple avec

7

Soulevez le luminaire linéaire avec ses extrémités femelles ouvertes sous la boîte simple. Faites passer les fils d'alimentation dans le trou à défoncer sur la plaque à défoncer, mesurez et coupez le fil d'alimentation à la longueur requise et dénudez les extrémités de chaque fil. Faites correspondre la couleur des fils et connectez-les avec des serre-fils. (Voir l'exemple de code couleur ci-dessus) Rentez soigneusement tous les fils à l'intérieur du luminaire et installez le capuchon d'extrémité.



Peut nécessiter un travail d'équipe et travailler sur des échelles

8

Posez soigneusement les fils lâches dans un espace ouvert dans la rainure à l'arrière du luminaire linéaire. Faites correspondre et insérez les entretoises aux trous à l'arrière du luminaire linéaire. Fixez les entretoises de montage avec des vis à travers le bas du luminaire linéaire. Réinstallez soigneusement l'objectif.

LAS1

LED Architectural Strip

INSTRUCTIONS D'INSTALLATION À MONTAGE MURAL (UNITÉ AUTONOME)



ÉTEINDRE L'ÉLECTRICITÉ

à la boîte à fusibles principale (ou à la boîte de disjoncteur) avant de commencer l'installation en coupant le disjoncteur ou en retirant le fusible.
CONDUCTEURS D'ALIMENTATION MIN 90 ° C



CONSULTER UN ÉLECTRICIEN QUALIFIÉ POUR VOUS ASSURER QUE LE CIRCUIT DE DÉRIVATION EST CORRECT
ÉVALUÉ 120-277-VOLTAC

TOOLS REQUIRED



MÈTRE RUBAN



DÉNONCEUR DE FIL

PARTS INCLUDED



CLIP DE FIXATION



SUPPORTS MURAUX AVEC VIS

MOUNTING HARDWARE

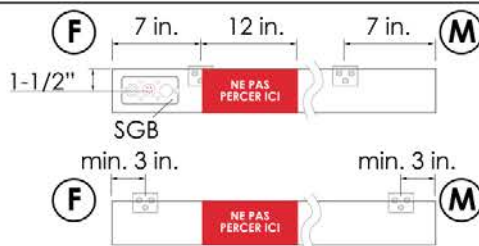


ANCRES MURALES



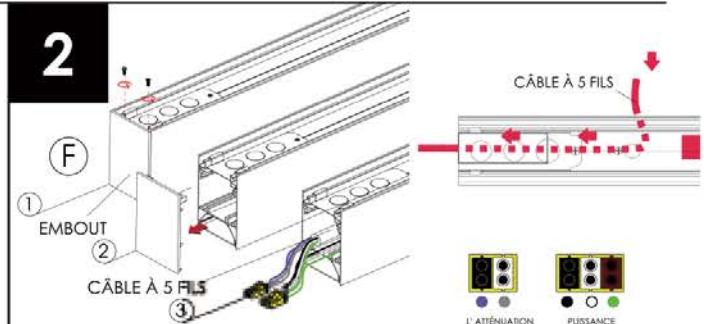
VIS DE MONTAGE

1



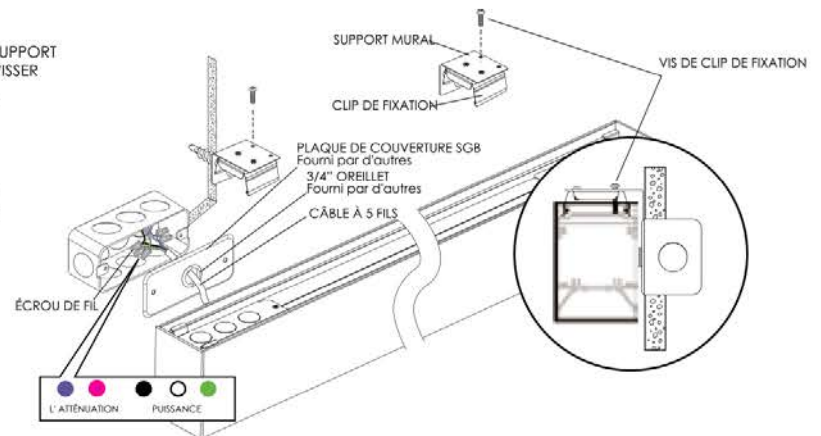
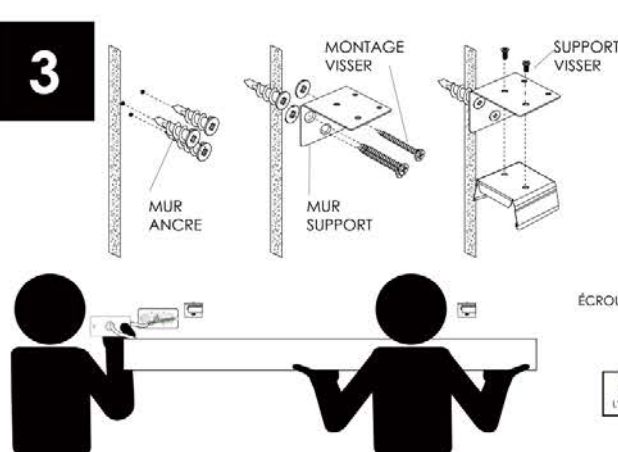
Utilisez l'illustration ci-dessus comme guide et déterminez où percer un trou de sortie de 1/2" sur le côté de la fixation pour alimenter le câble à 5 fils. Le bloc d'alimentation interne mesure environ 12 pouces de long et est installé à 7 pouces de l'embout côté femelle. Percez soigneusement un trou pilote avec un foret de 1/8", puis utilisez un foret étagé pour agrandir le trou à 1/2". Installez un passe-fil de 1/2" dans le trou.

2



Faites passer le câble à 5 fils dans le trou percé par l'installateur sur le connecteur rapide femelle. Utilisation des fils pré-connectés comme guide pour faire correspondre les fils de couleur. (Voir l'exemple de codage couleur ci-dessus) Rentrez soigneusement tous les fils à l'intérieur du luminaire linéaire et remettez le capuchon d'extrémité.

3



Utilisez les supports muraux comme gabarit et marquez 3 trous de montage sur le mur. Insérez les ancrages muraux dans les endroits marqués, puis fixez les supports muraux avec des vis de montage. Fixez les clips de fixation sur les supports muraux avec des vis de support.

Travaillez en équipe, soulevez la fixation linéaire sur les supports muraux préinstallés.

Perforez la plaque de recouvrement SGB, puis installez un passe-fil de 3/4 po dans le trou perforé. Faites passer le câble à 5 fils côté sortie du luminaire linéaire dans la plaque de recouvrement SGB, faites correspondre la couleur des fils d'alimentation et des fils du luminaire, connectez-les avec des serre-fils. (voir l'exemple de codage couleur ci-dessus)

Rentrez soigneusement les fils connectés à l'intérieur du SGB, puis fixez le couvercle du SGB. Poussez le câble détendu à l'intérieur du luminaire linéaire et enclenchez les clips de montage du luminaire sur le luminaire linéaire. Installez les vis des clips de montage sur les supports muraux pour verrouiller le luminaire linéaire en place.

LAS1

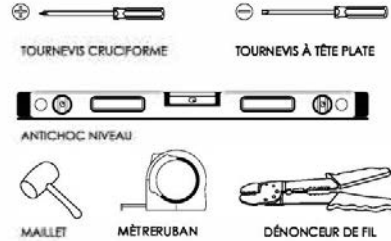
LED Architectural Strip

INSTALLATION DE PLUSIEURS FIXTURES CONNECTÉES

2 CONNECTED UNITS Starter **ST** + Ender **ED**

3+ CONNECTED UNITS Starter **ST** + Mid-Run **MR** + Ender **ED**

OUTILS NÉCESSAIRES



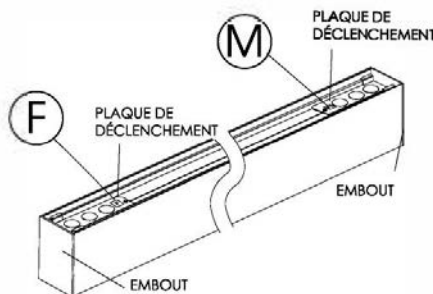
Peut nécessiter un travail d'équipe et travailler sur des échelles



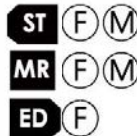
ÉTENDRE L'ÉLECTRICITÉ
à la boîte à fusibles principale (ou à la boîte de disjoncteur) avant de commencer l'installation en coupant le disjoncteur ou en retirant le fusible.
CONDUCTEURS D'ALIMENTATION MIN 90 ° C.

! Chaque course connectée peut avoir plusieurs **MR** appareils Mid-Run, mais ne peut avoir qu'un seul appareil **ST** Starter et un **ED** Ender.
Luminaires connectés maximum autorisés électriquement en fonction de la puissance du système.
PUISSANCE MAXIMALE DU SYSTÈME:
120V 600W | 277 V 1 385 W

1



2 LUMIÈRE CONNECTÉE



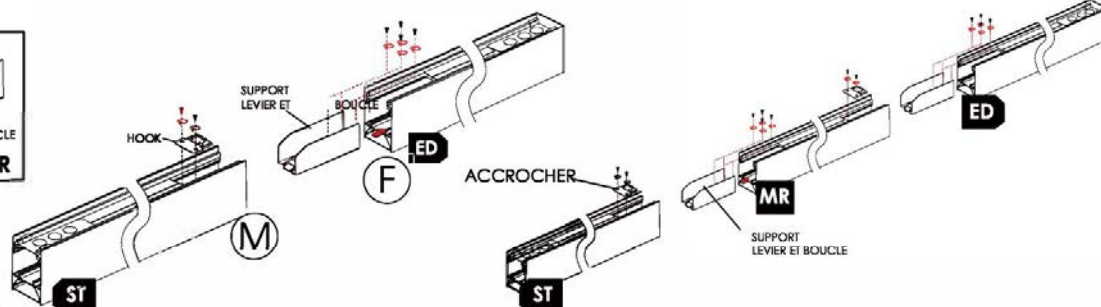
3+ LUMIÈRE CONNECTÉE



Appareil **SA** de référence en acier inoxydable à partir d'une installation à une seule unité pour le démontage du capuchon d'extrémité côté femelle et de la plaque à défoncer de l'appareil de démarrage **ST**

Suivez le tableau ci-dessus pour le retrait requis des embouts.
Retirez les plaques à défoncer là où les embouts sont retirés.

2



2 LUMIÈRE CONNECTÉE

Fixez le crochet LIN-JBR sur le côté mâle **ST** dans les trous pré-filetés à l'aide des vis fournies.
Faites glisser le support LIN-JBR avec le levier et la boucle dans le côté femelle **ED** en le fixant dans les trous pré-filetés à l'aide des vis fournies.

3+ 2 LUMIÈRE CONNECTÉE

Fixez le crochet du LIN-JBR sur les trous pré-filetés du côté mâle du luminaire **ST** et **MR** avec les vis fournies.
Faites glisser le support LIN-JBR avec le levier et la boucle sur le côté femelle **MR** et **ED**, en le fixant dans les trous pré-filetés à l'aide des vis fournies.

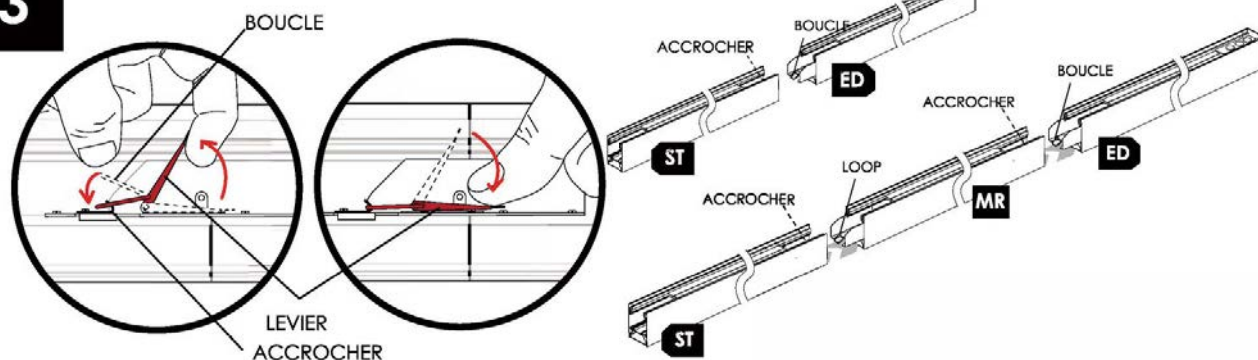
USLED
Always the Right Choice!

LAS1

LED Architectural Strip

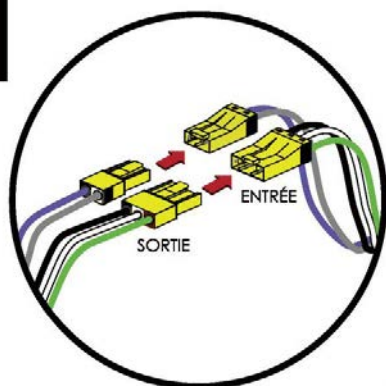
INSTALLATION DE PLUSIEURS FIXTURES CONNECTÉES

3



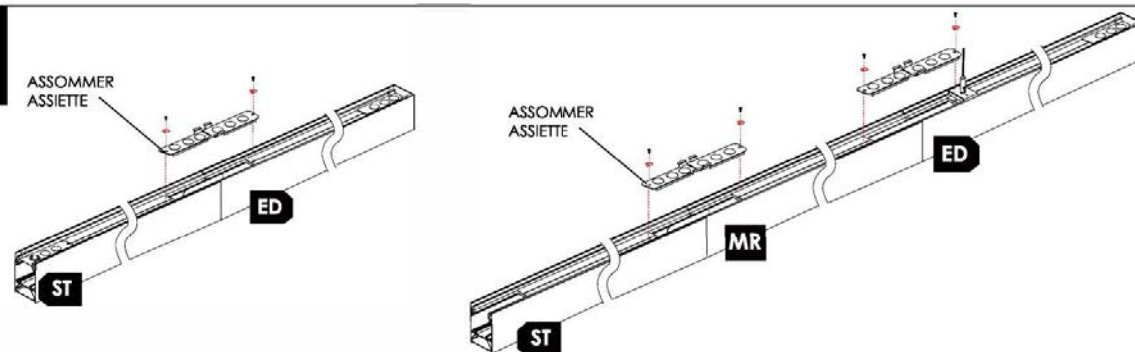
Faites glisser les luminaires installés avec le support LIN-JBR dans les luminaires installés avec le crochet LIN-JBR, un à la fois. Sur chaque section connectée, soulevez le levier du support LIN-JBR pour amener la boucle sur le crochet LIN-JBR installé, puis appuyez sur le levier LIN-JBR pour verrouiller la boucle en place.

4



Connectez tous les connecteurs de sortie de l'appareil au connecteur d'entrée de l'appareil adjacent.

5



Rentrez soigneusement tous les fils et connecteurs à l'intérieur des luminaires. Remettez toutes les plaques à défoncer.