

LFL

Small Outdoor LED Flood Light



Key Features

- Complete LED flood light solution for replacing metal halide or HPS flood lights.
- Compact architectural design.
- Precision optic for uniform light distribution.
- IP65 rated enclosure prevents intrusion from environmental elements that could degrade performance.

Electrical

- 120-277VAC input.
- System power factor >90% and THD <20%.
- Operating temperature: -40°C to +45°C (-40°F to +113°F)

Mounting

- Luminaire comes standard with 3/4" threaded knuckle.
- Ready to be surface mounted with an extended arm mount accessory.
- Consult factory for additional mounting options.

Construction

- Robust die-cast aluminum housing protects integral components from harsh environments and optimizes thermal management.
- Housing is protected by a corrosion resistant, dark bronze powder coat finish. Consult factory for custom colors. ²
- Weight: 2.9 lbs. (1.32kg).

Optics

- Industry leading LEDs with 3000K, 4000K, and 5000K CCT (minimum 70 CRI).
- Precision Optics: 60°x120° Beam Angle Lens.
- Lumen Maintenance: 200,000 hours (L70) ¹

Warranty

- Backed by US LED's 5-year warranty.

Project	Date
---------	------

Catalog Number	Type
----------------	------

Product Performance Summary

Lumen Output	Up to 2,400 lumens
Efficacy	Up to 138 LPW
CRI	≥ 70 CRI
Available CCT	3000K, 4000K, or 5000K
Warranty	5-Year Warranty

Product Overview

The LFL flood light is a compact, architectural LED solution for illuminating building facades, signs, landscaping, and other outdoor areas. This energy-efficient, long-life luminaire is ideal for new construction or replacing metal halide or HPS flood lights. With high performing LEDs and an IP65 rated enclosure, you'll spend less time doing maintenance and even more time enjoying the energy savings.

Product Applications

- Building Facades
- Signs/Monuments
- Landscaping
- Security Areas
- Accent Lighting
- General Lighting

Product Certifications/Approvals

- UL Listed
- Complies with UL1598 and CSA C22.2
- Suitable for Wet Locations
- IP65 Rated Enclosure
- RoHS Compliant



Ordering Information

Example: LFL1-18-50-UNVL-1

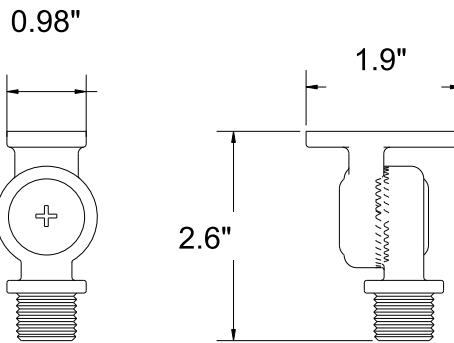
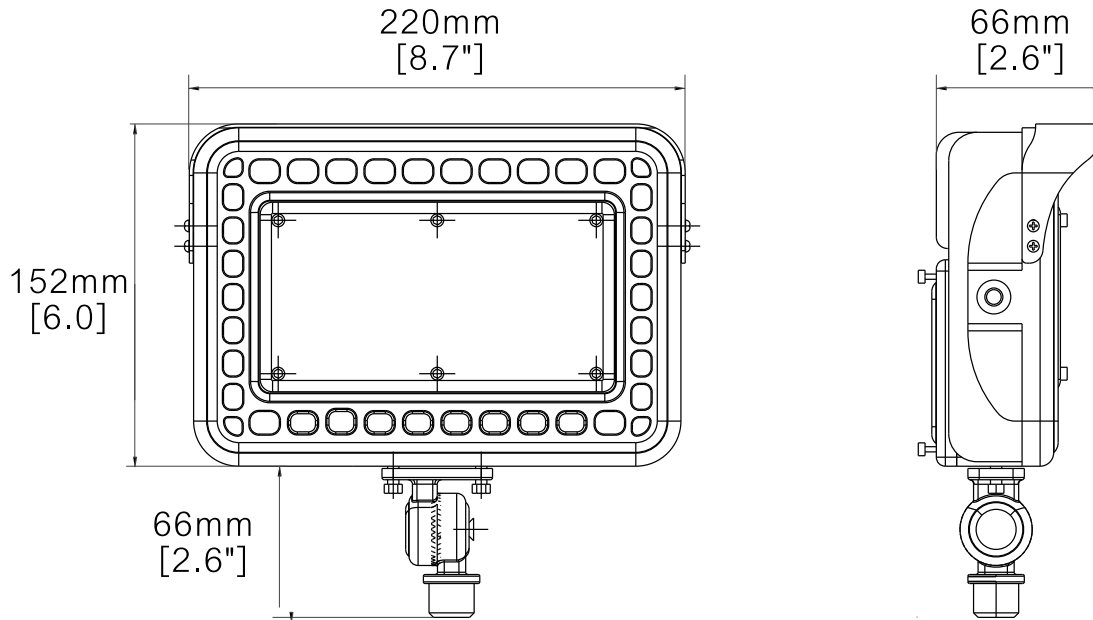
LFL1				
Series	Power	CCT	Input Voltage	Finish
	18 18W	30 3000K	UNVL 120-277V	3 Dark Bronze ²
		40 4000K		
		50 5000K		

Accessories

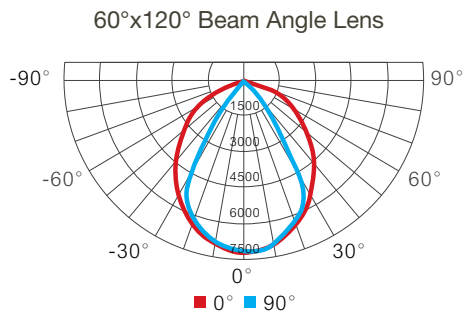
ARMSV24 ² 2' Wall Mountable Arm

1. Product 'Lifetimes' refer only to the LED light engine, not the power source, and are based on the Illuminating Engineering Society's TM21 Projected Lumen Maintenance methodology at a 25° C / 77° F ambient temperature. The lifetimes are solely meant to be a guide for expected LED degradation and not a warranty or predictive of their actual life, which can be affected by ambient temperatures and other factors.
2. Consult factory for custom colors.

Dimensions



Performance Data



Model	System Level Power	Delivered Lumens	Efficacy	CCT	L70 Calculated Lifetime
LFL1-18-30-UNVL-X	17.4W	2,310L	133 LPW	3000K	200,000 Hours
LFL1-18-40-UNVL-X	17.4W	2,390L	137 LPW	4000K	200,000 Hours
LFL1-18-50-UNVL-X	17.4W	2,400L	138 LPW	5000K	200,000 Hours

Mounting

ARMSV24² - 2' Wall Mountable Arm (Dark Bronze)

