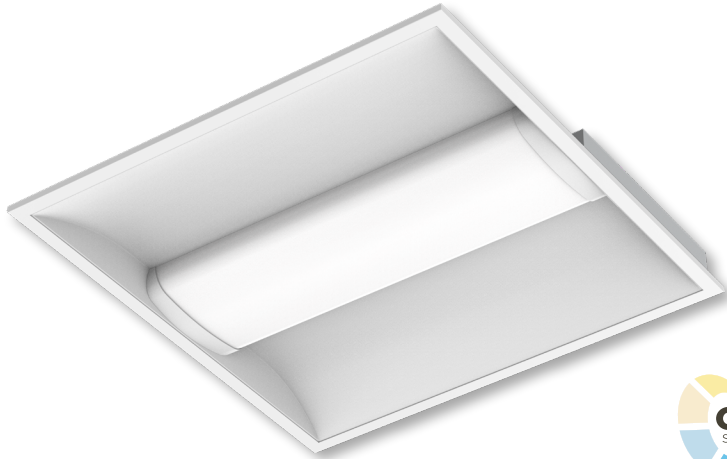


TEG4 Essential

Low-Profile Troffer | Selectable Wattage & CCT



Key Features

- Energy-efficient LED replacement for existing recessed fluorescent fixtures.
- Low-profile, wide center basket design available in a 1x4, 2x2, and 2x4 models.
- Select wattage and correlated color temperature (CCT) via switches in the field.
- Optional battery back-up available.

Electrical

- 120-277VAC 50/60Hz input.
- Power Factor: >0.9; THD: <20%
- 0-10V dimming standard.
- Operating temperature: -20°C to +45°C (-4°F to +113°F)

Mounting

- Easy-to-position integral T-bar clips for mounting in a recessed ceiling application.

Construction

- Housing is constructed of cold-rolled steel and aluminum trim for exceptional durability.
- Pre-painted white finish for highest reflectance.
- Frosted PMMA lens offers complete shielding and uniform light distribution that's glare-free.
- Low-profile design (1.45" depth) offers flexibility to install in low plenum areas (IC Rated).

Optics

- High-performance diffusing lens conceals LEDs and delivers volumetric illumination.
- Industry-leading LEDs with selectable CCT: 3500K, 4000K, and 5000K (≥80 CRI).
- Lumen Maintenance: 87,000 hours (L70) ¹

Warranty

- Backed by US LED's Five-Year Warranty.

Project	Date
---------	------

Catalog Number	Type
----------------	------

Product Performance Summary

Lumen Output	Up to 5,838 lumens
Efficiency	Up to 153 LPW
CRI	≥ 80 CRI
Available CCT	Selectable CCT: 3500K, 4000K, 5000K
Warranty	Five-Year Warranty

Product Overview

US LED's TEG4 Essential low-profile troffer is an all-in-one recessed lighting solution for indoor spaces demanding efficiency and style. With its selectable wattage and CCT options, this highly versatile troffer can meet various lighting needs, ensuring uniform illumination and a modern appearance for various environments like offices, retail spaces, and schools.

Product Applications

- Classrooms
- Conference Rooms
- Office Spaces
- Health Care Facilities
- Hallways/Corridors
- Retail Spaces
- Convenience Stores
- Health Care Facilities
- Industrial/Warehouses
- Hospitality

Product Certifications

- UL Certified
- Complies with UL 1598, UL 8750, and CSA 22.2
- Suitable for Indoor Locations Only
- DLC Premium Listed
- IC Rated For Direct Contact With Insulation
- RoHS Compliant



Ordering Information

Example: TEG4-1-22-UNVL-18-SCCT

TEG4	Series	Variant	Size	Input Voltage	Selectable Wattage ²	Selectable CCT	Battery Back-Up
	1	Standard	14 1x4	UNVL 120-277V	18 18W, 26W, 35W	SCCT Selectable CCT: 3500K, 4000K, 5000K	[BLANK] No
			22 2x2		26 26W, 35W, 44W		B Yes
			24 2x4				

Accessories	
TEG4-SMK14	1x4 Surface Mount Kit
TEG4-SMK22	2x2 Surface Mount Kit
TEG4-SMK24	2x4 Surface Mount Kit
DW-14-TB	1x4 Drywall Flange Kit
DW-22-TB	2x2 Drywall Flange Kit
DW-24-TB	2x4 Drywall Flange Kit
MS	Motion Sensor
C	Casambi-Enabled

1. Product 'Lifetimes' refer only to the LED light engine, not the power source, and are based on the Illuminating Engineering Society's TM21 Projected Lumen Maintenance methodology at a 25° C / 77° F ambient temperature. The lifetimes are solely meant to be a guide for expected LED degradation and not a warranty or predictive of their actual life, which can be affected by ambient temperatures and other factors.

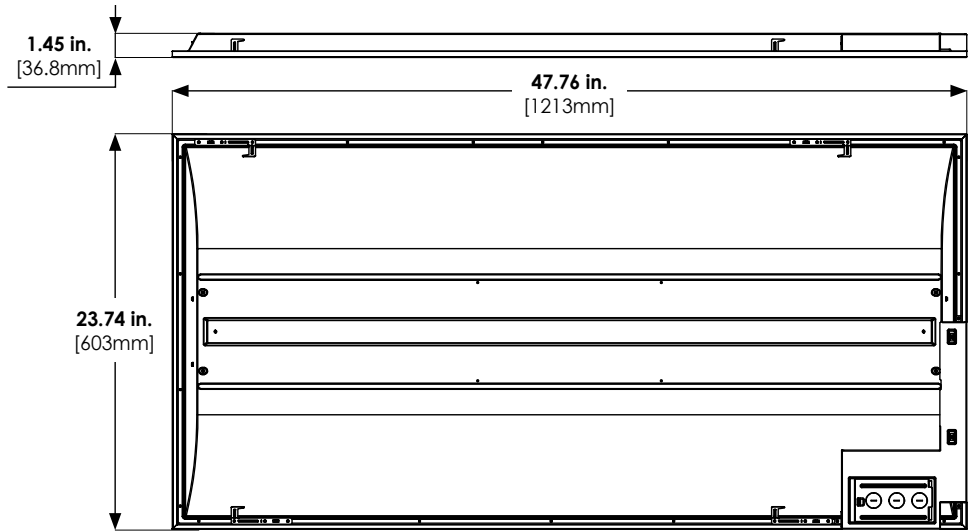
2. [Option 18] only available with 1x4 and 2x2 models. [Option 26] only available with 2x4 model.

TEG4 Essential

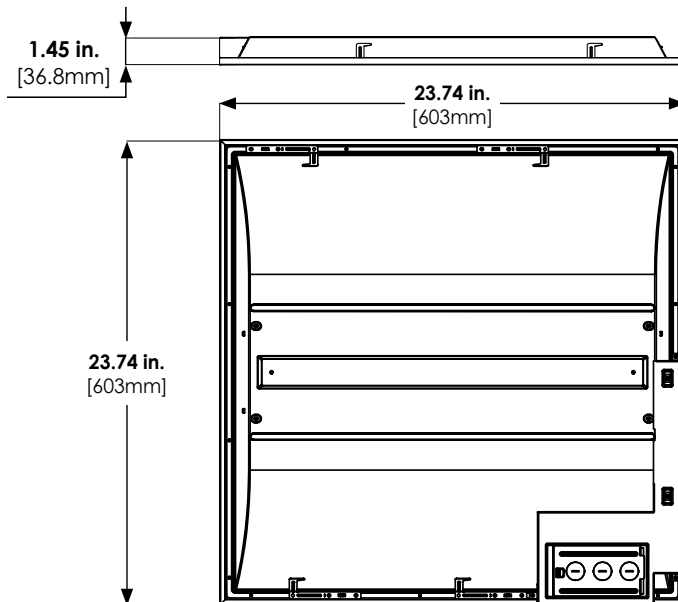
Low-Profile Troffer | Selectable Wattage & CCT

Dimensions

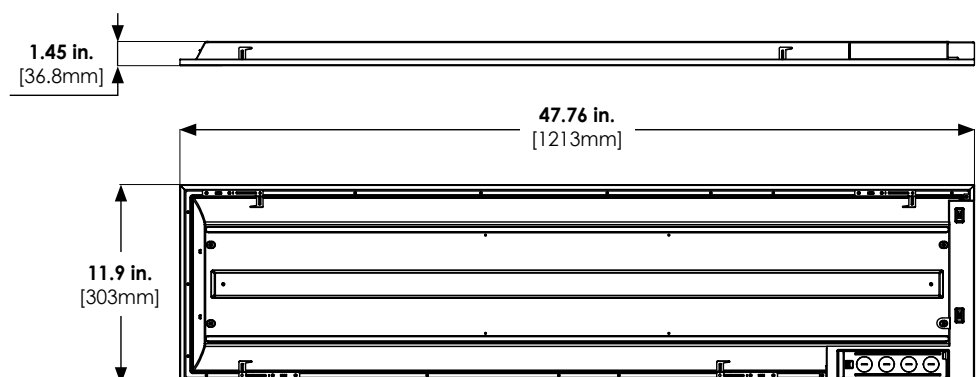
TEG4 2x4 Model	
Carton Dimensions	24.3 in. x 48.6 in. x 2.91 in.
Net Weight	7.4 lbs. [3.4kg]



TEG4 2x2 Model	
Carton Dimensions	24.6 in. x 24.6 in. x 2.91 in.
Net Weight	3.9 lbs. [1.8kg]



TEG4 1x4 Model	
Carton Dimensions	12.5 in. x 48.6 in. x 2.91 in.
Net Weight	3.9 lbs. [1.8kg]



TEG4 Essential



Low-Profile Troffer | Selectable Wattage & CCT

Performance Data

Model	Size	CCT	System Level Power	Wattage	Delivered Lumens	Efficacy	L70 Calculated Life		
TEG4-1-14-UNVL-XX-SCCT	1x4	3500K	18W	17.1W	2,420.6	141.6 LPW	87,000 Hours		
			26W	25.4W	3,453.8	136.0LPW			
			35W	34.7W	4,539.4	130.8 LPW			
		4000K	18W	16.8W	2,479.5	147.6 LPW		87,000 Hours	
			26W	24.7W	3,587.2	145.2 LPW			
			35W	33.6W	4,768.0	142.0 LPW			
		5000K	18W	17.1W	2,457.2	143.7 LPW			87,000 Hours
			26W	25.3W	3,525.6	139.4 LPW			
			35W	34.5W	4,646.2	134.7 LPW			
TEG4-1-22-UNVL-XX-SCCT	2x2	3500K	18W	17.2W	2,525.1	146.8 LPW	87,000 Hours		
			26W	25.5W	3,599.4	141.2 LPW			
			35W	35.0W	4,673.5	133.5 LPW			
		4000K	18W	16.9W	2,591.0	153.3 LPW		87,000 Hours	
			26W	24.9W	3,746.4	150.5 LPW			
			35W	34.0W	4,939.7	145.3 LPW			
		5000K	18W	17.2W	2,538.1	147.6 LPW			87,000 Hours
			26W	25.5W	3,607.2	141.5 LPW			
			35W	35.0W	4,679.5	133.7 LPW			
TEG4-1-24-UNVL-XX-SCCT	2x4	3500K	26W	24.4W	3,627.8	148.7 LPW	87,000 Hours		
			35W	32.6W	4,713.6	144.6 LPW			
			44W	40.7W	5,700.9	140.1 LPW			
		4000K	26W	24.0W	3,667.6	152.8 LPW		87,000 Hours	
			35W	31.7W	4,754.8	150.0 LPW			
			44W	39.7W	5,838.2	147.1 LPW			
		5000K	26W	24.5W	3,641.5	148.6 LPW			87,000 Hours
			35W	32.3W	4,691.6	145.3 LPW			
			44W	40.6W	5,732.2	141.2 LPW			

TEG4 Essential

Low-Profile Troffer | Selectable Wattage & CCT



Battery Backup

FHSCP-UNV3-10W-L-SD-A

TEG4 Emergency Battery Backup | 10W | 100-347V

Overview

The Fulham HotSpot Constant Power battery backup adds field-installable emergency capability to LED luminaires. During a power outage, the emergency driver automatically engages, providing a constant source of power to the LED modules for at least 90 minutes of reliable emergency illumination.

Key Features

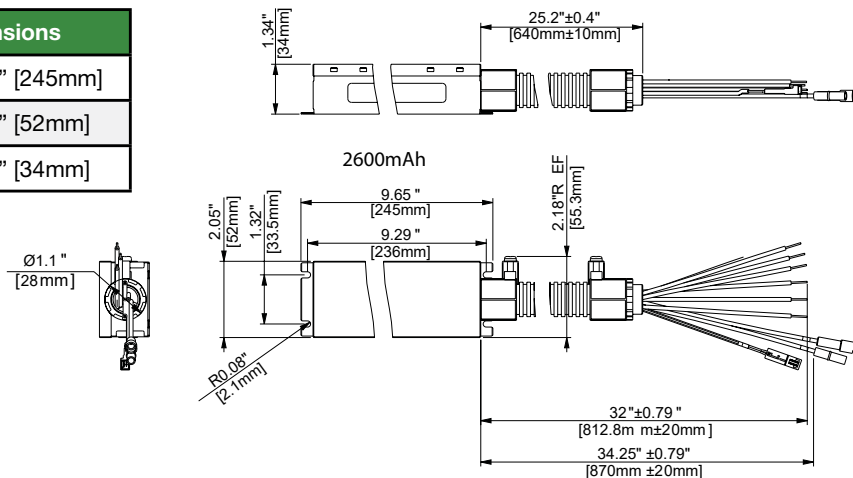
- Long life, maintenance-free LiFePO4 battery.
- Suitable for dry and damp locations.
- Constant power output.
- Deep discharge protection.
- Accessory test switch and charge indicator.
- Five-Year Warranty.



Specifications

Rated Input Voltage	100-347V,50/60Hz
Input Current	<0.1A
Input Power	<5W
Standby Power	0.85W
Input Power Pass-Through Rating (AC Driver Line)	3A
Output Power	10W
Output Voltage Range	12-55V $\overline{=}$
Output Current Rated	0.833A Max
Input Surge Protection	3KV/6KV Ring wave, 1KV/2KV Combined surge
Battery Capacity	2600mAh
Recharge Time	24 Hours
Discharge Time	90 Minutes
Ambient Operating Temperature	0°C to 55°C (32°F to 131°F)
Service Life	50,000 Hours
RFI/EMI	FCC

Overall Dimensions	
Length	9.65" [245mm]
Width	2.05" [52mm]
Height	1.34" [34mm]



TEG4 Essential

Low-Profile Troffer | Selectable Wattage & CCT

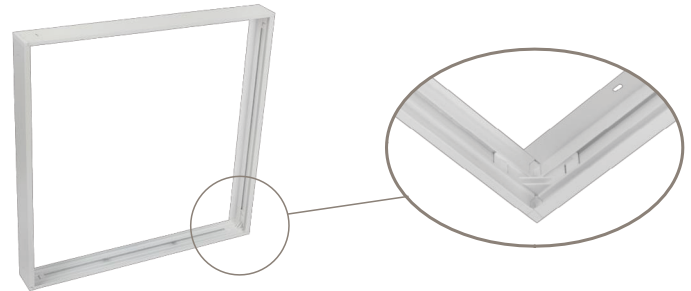
Accessories

TEG4-SMK14 TEG4 Essential 1x4 Surface Mount Kit

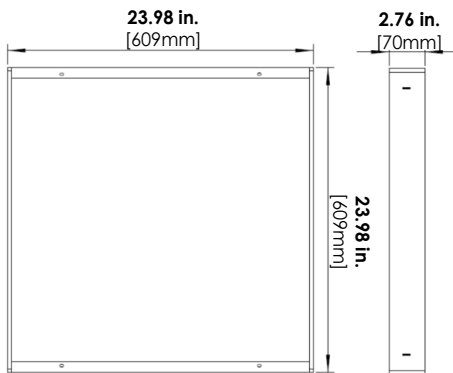
TEG4-SMK22 TEG4 Essential 2x2 Surface Mount Kit

TEG4-SMK24 TEG4 Essential 2x4 Surface Mount Kit

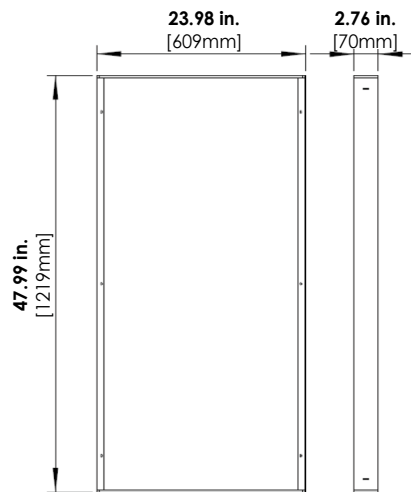
Designed for use on the surface of drywall or concrete ceilings, the TEG4 surface mount kits are ideal for offices, educational facilities, healthcare facilities, and any other indoor applications where surface mount troffer installation is required.



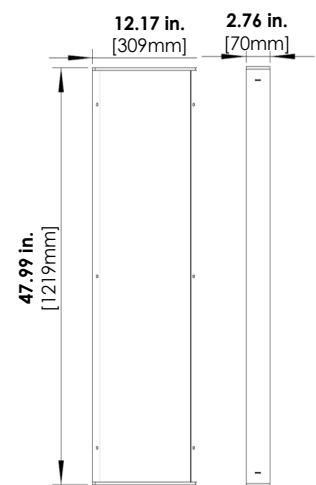
TEG4 2x2 Kit



TEG4 2x4 Kit



TEG4 1x4 Kit

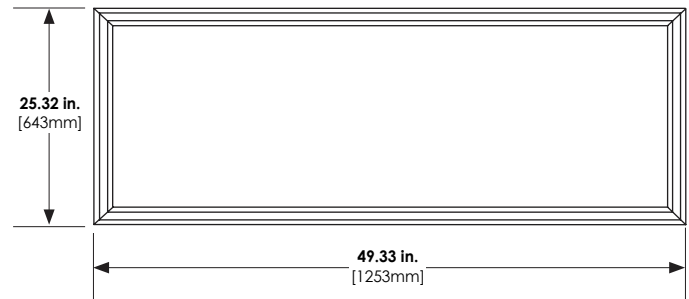
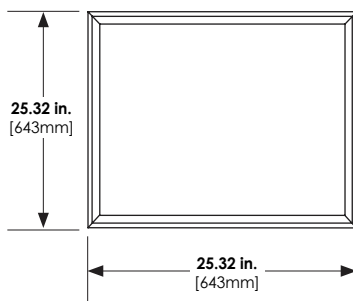
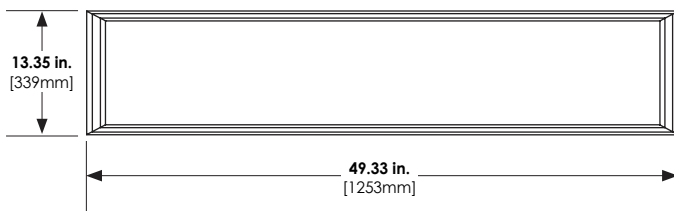


DW-14-TB TEG4 Essential 1x4 Drywall Flange Kit

DW-22-TB TEG4 Essential 2x2 Drywall Flange Kit

DW-24-TB TEG4 Essential 2x4 Drywall Flange Kit

Drywall flange kits act as T-Bar frames to support recessed troffer luminaires in wood, drywall, or plaster ceilings. From the room side, flange kits mimic T-Bars' appearance in a baked enamel white finish.



Model	Catalog Number	Ceiling Opening Dimensions
1x4	DW-14-TB	12.64 in. (W) × 48.62 in. (L)
2x2	DW-22-TB	24.65 in. (W) × 24.65 in. (L)
2x4	DW-24-TB	24.65 in. (W) × 48.62 in. (L)