

# QubePAK® Regal 3

## Architectural Outdoor LED Wall Pack



### Key Features

- Modern LED replacement for traditional fluorescent or HID fixtures.
- Elegant yet rugged construction effortlessly integrates with existing architecture.
- Adjustable, full-cutoff design with a tilt mechanism that allows for precise aiming.
- Night sky friendly: eliminates light pollution and minimizes glare.

### Electrical

- 120-277VAC 0-10V dimming standard. <sup>2</sup>
- System power factor >90% and THD <20%.
- Operating temperature: -40°C to 40°C (-40°F to 104°F)

### Mounting

- Luminaire is ready to be surface mounted.

### Construction

- Robust die-cast aluminum housing protects integral components from harsh environments and optimizes thermal management.
- Housing is protected by a corrosion resistant bronze powder coat finish.
- IP65 rated enclosure prevents intrusion from environmental elements that could degrade performance.

### Optics

- Type II or Type IV optical distribution.
- Industry-leading LEDs with 3000K, 4000K, and 5000K CCT (minimum 70 CRI).
- Lumen Maintenance: 100,000 hours (L70) <sup>1</sup>

### Warranty

- Backed by US LED's industry-leading Ten-Year Warranty.

Project	Date
---------	------

Catalog Number	Type
----------------	------

### Product Performance Summary

Lumen Output	Up to 14,007 lumens
Efficacy	Up to 142 LPW
CRI	≥ 70 CRI
Available CCT	3000K, 4000K & 5000K
Warranty	Ten-Year Warranty

### Product Overview

The Qube®PAK Regal 3 LED wall pack is designed to easily integrate into any existing architecture and provide superior illumination. With two optical distributions, the QubePAK Regal 3 provides a complete site-wide solution for commercial exterior applications. Its elegant aesthetics combined with first-class performance make it a popular choice with specifiers and lighting designers.

### Product Applications

- Perimeter Areas
- Building Exteriors
- Security Lighting
- Wall Washing
- Parking Lots
- Educational Facilities
- Business Campuses
- Industrial Facilities
- Mall/Retail Exteriors
- General Lighting

### Product Certifications/Approvals

- UL Listed
- Complies with UL1598 and CSA C22.2
- DLC Premium Listed
- Suitable for Wet Locations
- IP65 Rated Enclosure
- RoHS Compliant



### Ordering Information

Series	Input Voltage	Power	Optics	CCT	Finish	Accessories
UNVL	120-277V	37 37W <sup>2</sup>	2 Type 2	30 3000K	BZ Bronze	PC Photocell
		58 58W	4 Type 4	40 4000K		
		70 70W		50 5000K		
		100 100W				

Example: WPR3-UNVL-37W-2-50-BZ

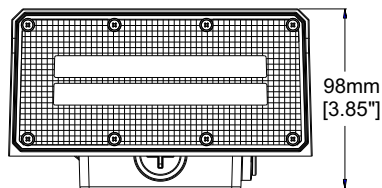
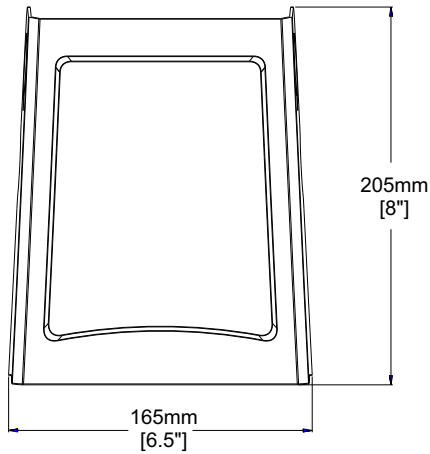
1. US LED product 'Lifetimes' refer only to the LED light engine, not the power source, and are based on the Illuminating Engineering Society's TM21 Projected Lumen Maintenance methodology at a 25° C / 77° F ambient temperature. The lifetimes are solely meant to be a guide for expected LED degradation and not a warranty or predictive of their actual life, which can be affected by ambient temperatures and other factors.  
2. 37W model is non-dimmable.

# QubePAK Regal3

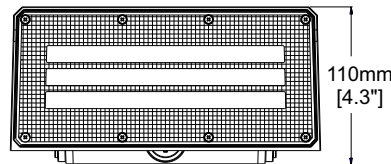
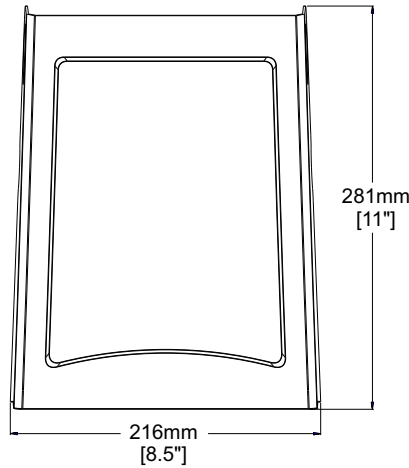
## Architectural Outdoor LED Wall Pack

### Dimensions

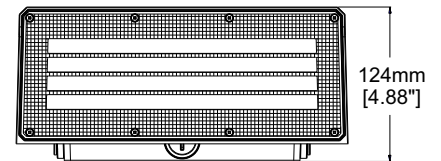
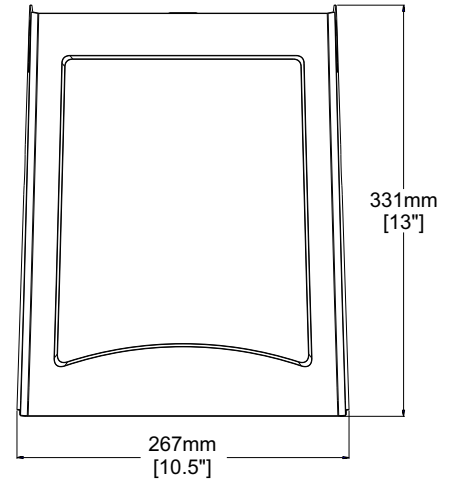
**37W Model**



**58W Model**



**70-100W Models**



Model	Net Weight
37W	2.87 lbs. (1.3kg)

Model	Net Weight
58W	4.63 lbs. (2.1kg)

Model	Net Weight
70-100W	5.95 lbs. (2.7kg)

### Performance Data

Model	Available CCT	System Level Power	Delivered Lumens	Efficacy	L70 Calculate Life
<b>WPR3-UNVL-37-X-XX-BZ</b>	3000K/4000K/5000K	37.1W	4,701	126 LPW	100,000 Hours
<b>WPR3-UNVL-58-X-XX-BZ</b>	3000K/4000K/5000K	58.4W	7,695	132 LPW	100,000 Hours
<b>WPR3-UNVL-70-X-XX-BZ</b>	3000K/4000K/5000K	71.8W	10,201	142 LPW	100,000 Hours
<b>WPR3-UNVL-100-X-XX-BZ</b>	3000K/4000K/5000K	104.5W	14,007	134 LPW	100,000 Hours