



Always the Right Choice!

LFL

Small Outdoor LED Flood Light



Key Features

- Complete LED flood light solution for replacing metal halide or HPS flood lights.
- Compact architectural design.
- Precision optic for uniform light distribution.
- IP65 rated enclosure prevents intrusion from environmental elements that could degrade performance.

Electrical

- 120-277VAC input.
- System power factor >90% and THD <20%.
- Operating temperature: -40°C to +45°C (-40°F to +113°F)

Mounting

- Luminaire comes standard with 3/4" threaded knuckle.
- Ready to be surface mounted with an extended arm mount accessory.
- Consult factory for additional mounting options.

Construction

- Robust die-cast aluminum housing protects integral components from harsh environments and optimizes thermal management.
- Housing is protected by a corrosion resistant, dark bronze powder coat finish. Consult factory for custom colors. ²
- Weight: 2.9 lbs. (1.32kg).

Optics

- Industry leading LEDs with 3000K, 4000K, and 5000K CCT (minimum 70 CRI).
- Precision Optics: 60°x120° Beam Angle Lens.
- Lumen Maintenance: 200,000 hours (L70) ¹

Warranty

- Backed by US LED's 5-year warranty.

| | |
|---------|------|
| Project | Date |
|---------|------|

| | |
|----------------|------|
| Catalog Number | Type |
|----------------|------|

Product Performance Summary

| | |
|---------------|------------------------|
| Lumen Output | Up to 2,400 lumens |
| Efficacy | Up to 138 LPW |
| CRI | ≥ 70 CRI |
| Available CCT | 3000K, 4000K, or 5000K |
| Warranty | 5-Year Warranty |

Product Overview

The LFL flood light is a compact, architectural LED solution for illuminating building facades, signs, landscaping, and other outdoor areas. This energy-efficient, long-life luminaire is ideal for new construction or replacing metal halide or HPS flood lights. With high performing LEDs and an IP65 rated enclosure, you'll spend less time doing maintenance and even more time enjoying the energy savings.

Product Applications

- Building Facades
- Signs/Monuments
- Monuments
- Landscaping
- Security Areas
- General Illumination

Product Certifications/Approvals

- UL Listed
- Complies with UL1598 and CSA C22.2
- Suitable for Wet Locations
- IP65 Rated Enclosure
- RoHS Compliant



Ordering Information

Example: LFL1-18-50-UNVL-1

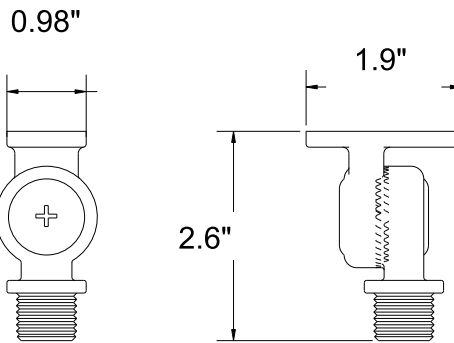
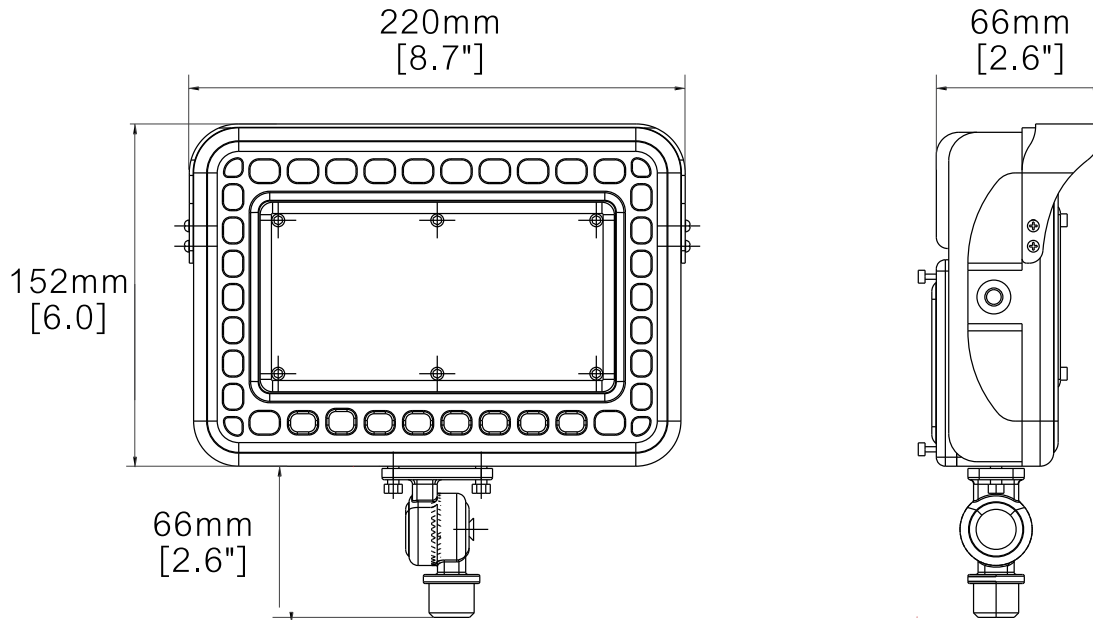
| LFL1 | | | | |
|--------|--------|----------|---------------|----------------------------|
| Series | Power | CCT | Input Voltage | Finish |
| | 18 18W | 30 3000K | UNVL 120-277V | 3 Dark Bronze ² |
| | | 40 4000K | | |
| | | 50 5000K | | |

Accessories

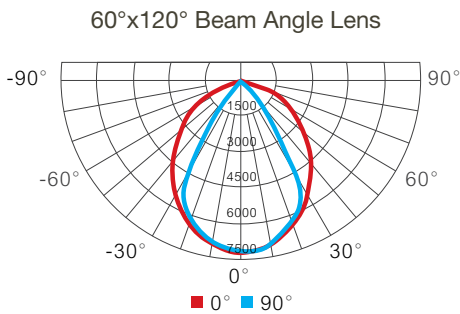
ARMSV24 ² 2' Wall Mountable Arm

1. Product 'Lifetimes' refer only to the LED light engine, not the power source, and are based on the Illuminating Engineering Society's TM21 Projected Lumen Maintenance methodology at a 25° C / 77° F ambient temperature. The lifetimes are solely meant to be a guide for expected LED degradation and not a warranty or predictive of their actual life, which can be affected by ambient temperatures and other factors.
 2. Consult factory for custom colors.

Dimensions



Performance Data



| Model | System Level Power | Delivered Lumens | Efficacy | CCT | L70 Calculated Lifetime |
|-------------------|--------------------|------------------|----------|-------|-------------------------|
| LFL1-18-30-UNVL-X | 17.4W | 2,310L | 133 LPW | 3000K | 200,000 Hours |
| LFL1-18-40-UNVL-X | 17.4W | 2,390L | 137 LPW | 4000K | 200,000 Hours |
| LFL1-18-50-UNVL-X | 17.4W | 2,400L | 138 LPW | 5000K | 200,000 Hours |

Mounting

ARMSV24² - 2' Wall Mountable Arm (Dark Bronze)

