

# RSL1

## LED Round Sports Light



### Key Features

- Combines superior performance and advanced thermal management in an appealing design.
- Excellent uniformity that accurately renders true colors on the sports field.
- Versatile mounting options provide operational flexibility for any outdoor installation.
- Additional intelligent lighting controls and monitoring capabilities available.

### Electrical

- 120-277V or 277-480V available.
- 0-10V dimming standard.
- Operating temperature: -40°C to 45°C (-40°F to 113°F)

### Mounting

- Trunnion or adjustable slip fitter mount options available.

### Construction

- Rugged die-cast aluminum design protects integral components from harsh environments and optimizes thermal management.
- Housing is protected by a corrosion resistant powder coat finish.
- IP65 rated optics offer protection from outdoor conditions.
- LED driver is mounted in contact with the casting to assist low operating temperatures and maintain long life.

### Optics

- Industry leading LEDs with 4000K, 5000K, and 5700K CCT (minimum 70 CRI).
- Lumen Maintenance: 174,000 Hours (L70).<sup>1</sup>
- Choice of precision-molded optics.

### Warranty

- Backed by US LED's Five-Year Warranty.

Project	Date
---------	------

Catalog Number	Type
----------------	------

### Product Performance Summary

Lumen Output	Up to 183,756 lumens
Efficacy	Up to 153 LPW
CRI	≥ 70 CRI
Available CCT	4000K, 5000K & 5700K
Warranty	Five-Year Warranty

### Product Overview

The RSL1 LED round sports light will give you the game-changing performance you need to professionally illuminate any sports venue. With multiple optics and mounting options, you'll get the light exactly where it's needed the most - right in the middle of the action! If you are ready for the next level of athletic performance, there are additional intelligent lighting controls available.

### Product Applications

- University Arenas
- Collegiate Arenas
- Pro Arenas
- Sports Fields
- Tennis Courts
- Gymnasiums
- Field Houses
- Race Tracks
- Recreation Areas
- Security Lighting

### Product Certifications

- UL Listed
- Complies with UL1598 and CSA C22.2
- Suitable for Wet Locations
- IP65 Rated Enclosure
- RoHS Compliant



Example: RSL1-500-UNVL-50-30-BK-FM

### Ordering Information

Series	Model	Input Voltage	CCT	Optics	Finish	Mounting <sup>2</sup>
RSL1						
500	500W	UNVL 120-277V	40 4000K	15 15°	BK Black	FM Trunnion
600	600W	UNVH 277-480V	50 5000K	20 20°		AM Adjustable Slip Fitter
750	750W		57 5700K	30 30°		
1000	1000W			40 40°		
1200	1200W			60 60°		
1400	1400W			80 80°		
				90 90°		

Accessories
D0 Photocontrol
D1 Aiming Laser
D2 Wireless Control
C Casambi-Enabled DMX Control

1. US LED product 'Lifetimes' refer only to the LED light engine, not the power source, and are based on the Illuminating Engineering Society's TM21 Projected Lumen Maintenance methodology at a 25° C / 77° F ambient temperature. The lifetimes are solely meant to be a guide for expected LED degradation and not a warranty or predictive of their actual life, which can be affected by ambient temperatures and other factors.

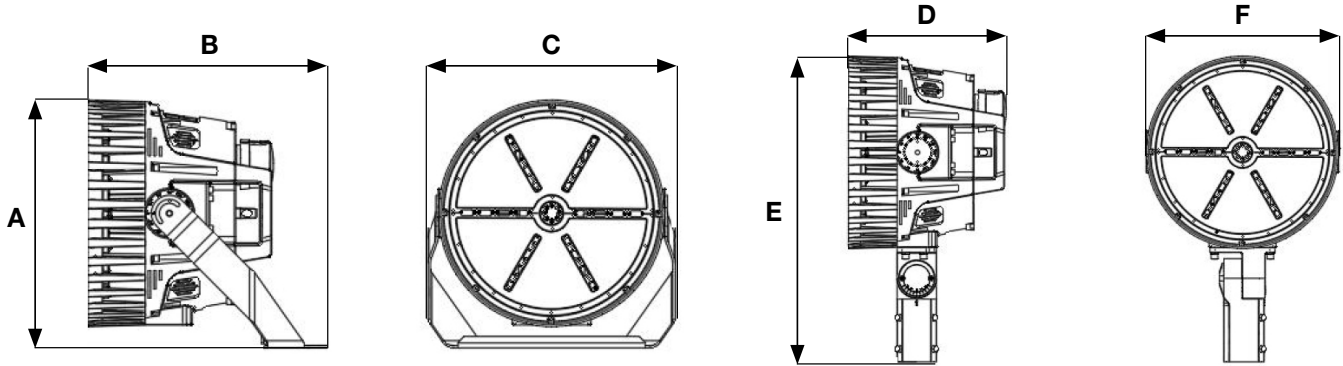
2. Mounting included in the luminaire pricing.

# RSL1

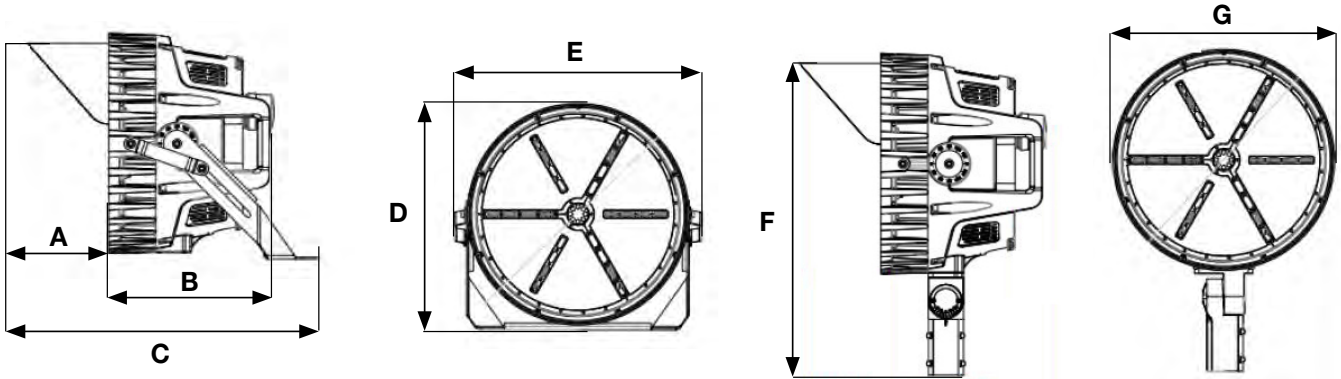
## LED Round Sports Light

### Dimensions

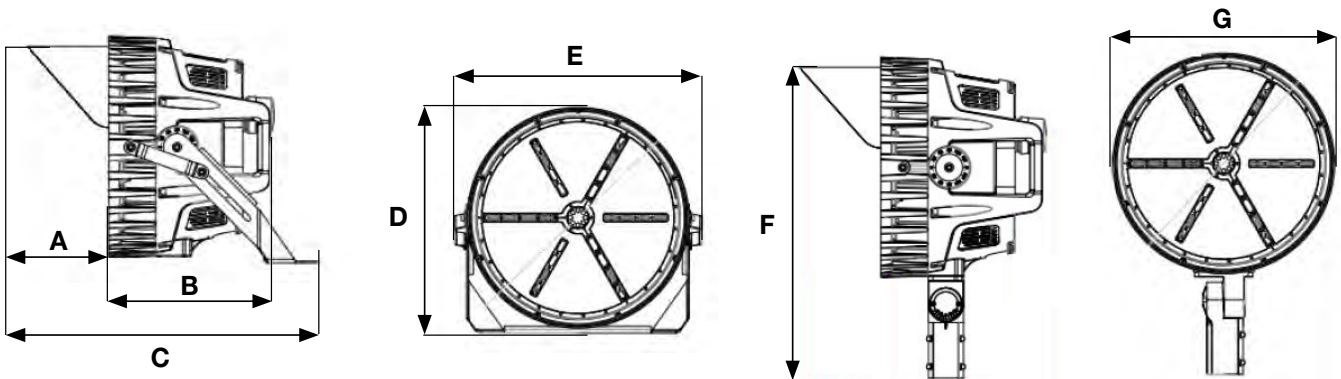
Model	A	B	C	D	E	F	Net Weight	EPA
500/600	16.1 in. ± 0.4 in.	15.9 in. ± 0.4 in.	16.1 in. ± 0.4 in.	12.1 in. ± 0.4 in.	23.5 in. ± 0.4 in.	14.8 in. ± 0.4 in.	39.7 lbs. [18kg]	1.6 ft. <sup>2</sup>



Model	A	B	C	D	E	F	G	Net Weight	EPA
750	7.0 in. ± 0.4 in.	13.9 in. ± 0.4 in.	25.0 in. ± 0.4 in.	19.4 in. ± 0.4 in.	21.3 in. ± 0.4 in.	27.6 in. ± 0.4 in.	19.1 in. ± 0.4 in.	58.4 lbs. [26.5kg]	2.5 ft. <sup>2</sup>



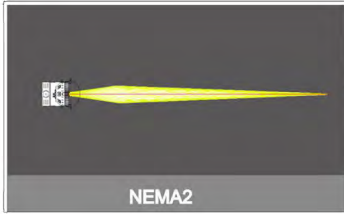
Model	A	B	C	D	E	F	G	Net Weight	EPA
1000/1200/1400	9.0 in. ± 0.4 in.	15.2 in. ± 0.4 in.	29.9 in. ± 0.4 in.	22.5 in. ± 0.4 in.	23.7 in. ± 0.4 in.	30.0 in. ± 0.4 in.	21.8 in. ± 0.4 in.	81.8 lbs. [37.1kg]	3.1 ft. <sup>2</sup>



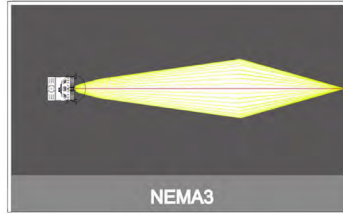
# RSL1

## LED Round Sports Light

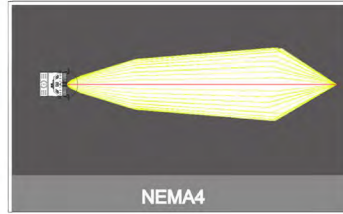
### Optical Distributions



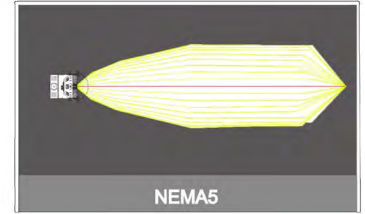
Beam Spread: 15°-29°  
Narrow Spot



Beam Spread: 29°-46°  
Medium Narrow Spot



Beam Spread: 46°-70°  
Medium Flood



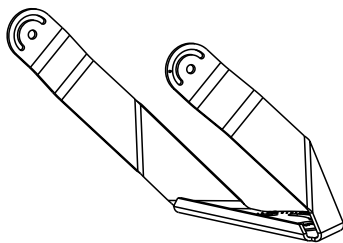
Beam Spread: 70°-100°  
Medium Wide Flood

### Performance Data

Model	Optic	System Power	Delivered Lumens	Efficacy	CCT	BUG Rating	L70 Calculated Life
RSL1-500-UNVL-40-30-BK	30°	500W	77,312	151 LPW	4000K	B5-U0-G2	174,000 Hours
RSL1-500-UNVL-50-30-BK			77,513	152 LPW	5000K	B5-U0-G2	174,000 Hours
RSL1-500-UNVL-57-30-BK			77,713	152 LPW	5700K	B5-U0-G2	174,000 Hours
RSL1-600-UNVL-40-30-BK	30°	600W	83,704	138 LPW	4000K	B5-U0-G2	174,000 Hours
RSL1-600-UNVL-50-30-BK			83,957	138 LPW	5000K	B5-U0-G2	174,000 Hours
RSL1-600-UNVL-57-30-BK			84,209	139 LPW	5700K	B5-U0-G2	174,000 Hours
RSL1-750-UNVL-40-30-BK	30°	750W	111,853	153 LPW	4000K	B5-U0-G2	174,000 Hours
RSL1-750-UNVL-50-30-BK			112,113	153 LPW	5000K	B5-U0-G2	174,000 Hours
RSL1-750-UNVL-57-30-BK			112,375	153 LPW	5700K	B5-U0-G2	174,000 Hours
RSL1-1000-UNVL-40-30-BK	30°	1,000W	156,000	151 LPW	4000K	B5-U0-G2	174,000 Hours
RSL1-1000-UNVL-50-30-BK			156,382	151 LPW	5000K	B5-U0-G5	174,000 Hours
RSL1-1000-UNVL-57-30-BK			112,375	152 LPW	5700K	B5-U0-G5	174,000 Hours
RSL1-1200-UNVL-40-30-BK	30°	1,200W	182,146	152 LPW	4000K	B5-U0-G2	174,000 Hours
RSL1-1200-UNVL-50-30-BK			182,951	153 LPW	5000K	B5-U0-G5	174,000 Hours
RSL1-1200-UNVL-57-30-BK			183,756	153 LPW	5700K	B5-U0-G5	174,000 Hours

### Mounting & Accessories

#### Trunnion Mount [FM]



#### Adjustable Slip Fitter Mount [AM]

