

# PointXL Modules

## Channel Letter Lighting



### Key Features

- Ultra-long life LED modules proven to provide high performance illumination in a small form factor.
- Ideal for 2"-12" channel letter depths.
- 160° beam angle for wide light distribution.

### Electrical

- 12VDC input.
- 0-10V dimming available via controller accessory (sold separately).
- Operating temperature: -40°C to 60°C (-40°F to 140°F)

### Construction

- Modules are IP67 rated to prevent against penetration of dust and moisture.
- Dimensions: 2.0" x 0.75" x 0.48"

### Optics

- Industry-leading LEDs with 3000K, 4000K, 5000K, & 6500K CCT (minimum 70 CRI).

### Warranty

- Backed by US LED's industry-leading Ten-Year Warranty.

Project	Date
---------	------

Catalog Number	Type
----------------	------

### Product Performance Summary

Lumen Output <sup>2</sup>	Up to 150 lumens/ft.
Efficacy	Up to 100 LPW
CRI	≥ 70 CRI
Available CCT	3000K, 4000K, 5000K & 6500K
Warranty	Ten-Year Warranty

### Product Overview

PointXL accelerates sign lighting as a high quality, low cost LED module. With modules on 8" centers, PointXL will evenly light channel letters with row spacing at 12". The same modules can also be used in letters as shallow as 2" depth.

### Product Applications

- Channel Letter Lighting
- General Signage Lighting

### Product Certifications

- UL Recognized (USA/Canada)
- UL Classified for Retrofits (USA/Canada)
- Suitable for Wet Locations
- IP67 Rated



### Ordering Information

Example: PXL-2-12-W30

PXL	Series	# of LEDs Per Module	Voltage	CCT
	2	2 LEDs	12 12VDC	W30 3000K W40 4000K W50 5000K W 6500K

### PXL Accessories (Sold Separately)

Part Number	Description
PSB-1-12-12	US LED Power Supply   12V   12W
PSB-1-12-60	US LED Power Supply   12V   60W
PS2-1-NA	Life Extender Power Supply Enclosure   Natural Galvanized
DCA-10-120	0-10V Dimming Controller   120W RoHS   Mark VII
WCC-2-50	Wire Management Clips   50 Qty.

# PointXL Modules

## Channel Letter Lighting



### Performance Data

Model	CCT	Typical Stroke <sup>3</sup>	System Level Power <sup>1</sup>	Delivered Lumens	Efficacy
PXL-2-12-W	6500K	12"	1.5W/ft.	150 lumens/ft.	100 LPW

### Spacing Chart

Distance From Face	BEST USAGE										
	12"	11"	10"	9"	8"	7"	6"	5"	4"	3"	2"
Single Row Spacing	12"	12"	12"	12"	12"	12"	12"	12"	10"	8"	4"
Multiple Row Spacing	12"	12"	12"	12"	12"	12"	12"	12"	10"	8"	4"
Module-To-Module Spacing	8"	8"	8"	8"	8"	8"	8"	8"	6"	6"	4"

### Packaging Specifications

Packages	# Modules Per Package
Bag	60 Modules (40 ft.) Approximately (1) Bag = (1) Power Supply
Inner Case	480 Modules (320 ft.)   8 Bags
Master Case	1,440 Modules (960 ft.)   23 Bags

### Power Supply & Loading Specifications

	Series	Minimum # of Modules	Maximum # of Modules
PSB-1-12-12	12W Load	4 Qty.	12 Qty.
PSB-1-12-60	60W Load	7 Qty.	60 Qty.

1. System power consumption, which includes power supply losses.  
 2. Estimated light output under application operating conditions.  
 3. For 5" depth sign.

# PointXL Modules

## Channel Letter Lighting

### Accessories

#### PSB-1-12-12 US LED 12V/12W Power Supply

##### Overview

The PSB 12V/12W is a high-performance, Class 2 power supply unit intended for use with LED lighting in outdoor signage applications. It is designed to withstand moisture and other outdoor elements with an IP65 rating and is RoHS compliant. The PSB is engineered to speed up installation and ensure reliable operation long term.



##### Key Features

- For use in outdoor signage applications
- 12VDC, Class 2 power supply
- 90-305VAC input voltage
- Complies with UL 879, UL 8750, UL 1310 and CSA 22.2
- Complies with FCC 47CFR Part 15
- IP65 rated housing



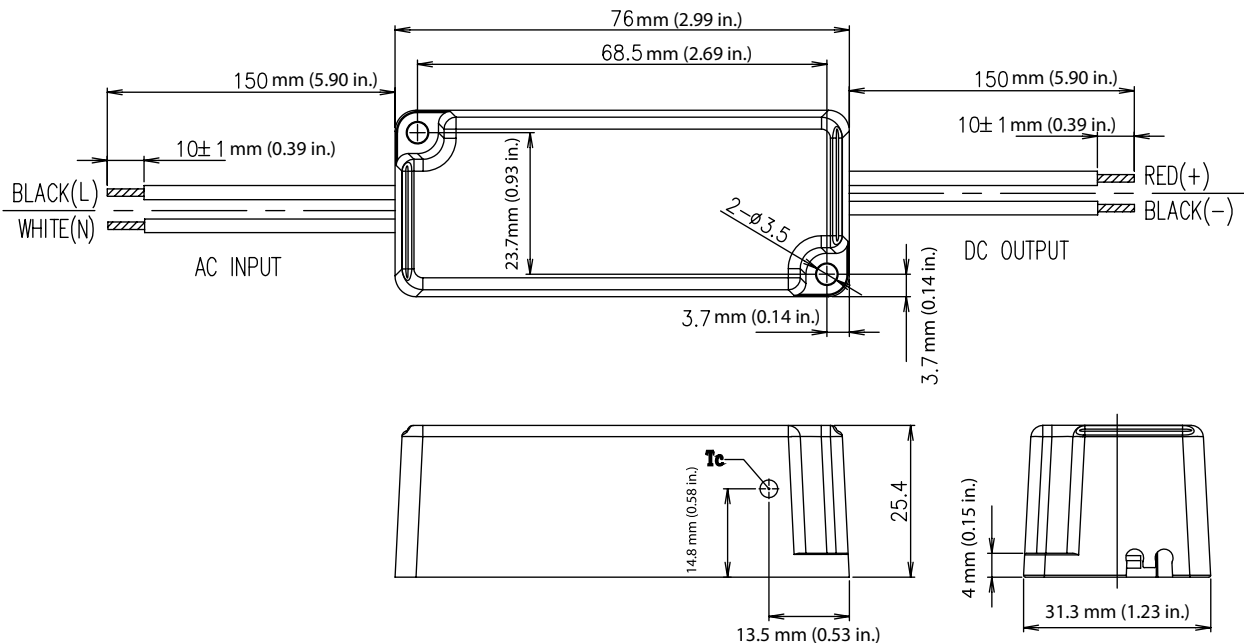
##### Electrical

- Input voltage: 90-305VAC (120V/0.18A), (277V/0.6A)
- Output voltage: 12VDC
- Output current: 1.0A max
- Output power: 12W max
- Operating temperature: -30°C to +50°C (-30°F to +122°F)

##### Construction

- Weight: 0.25 lbs. (0.12kg)
- 50 ct. package quantity
- Housing designed for high thermal capability

##### Dimensions



# PointXL Modules

## Channel Letter Lighting

### Accessories

#### PSB-1-12-60 US LED 12V/60W Power Supply

##### Overview

The PSB 12V is a high-performance, Class 2 power supply unit intended for use with LED lighting in outdoor signage applications. It is designed to withstand moisture with an IP66 environmental rating and is RoHS compliant. The PSB is engineered to speed up installation and ensure reliable operation long term.



##### Key Features

- For use in outdoor signage applications
- 12VDC, Class 2 power supply
- 90-305VAC input voltage
- Complies with UL 879, UL 8750, UL 1310 and CSA 22.2
- Complies with FCC 47CFR Part 15
- Same loading as prior model PSA-12-60
- IP66 rated housing



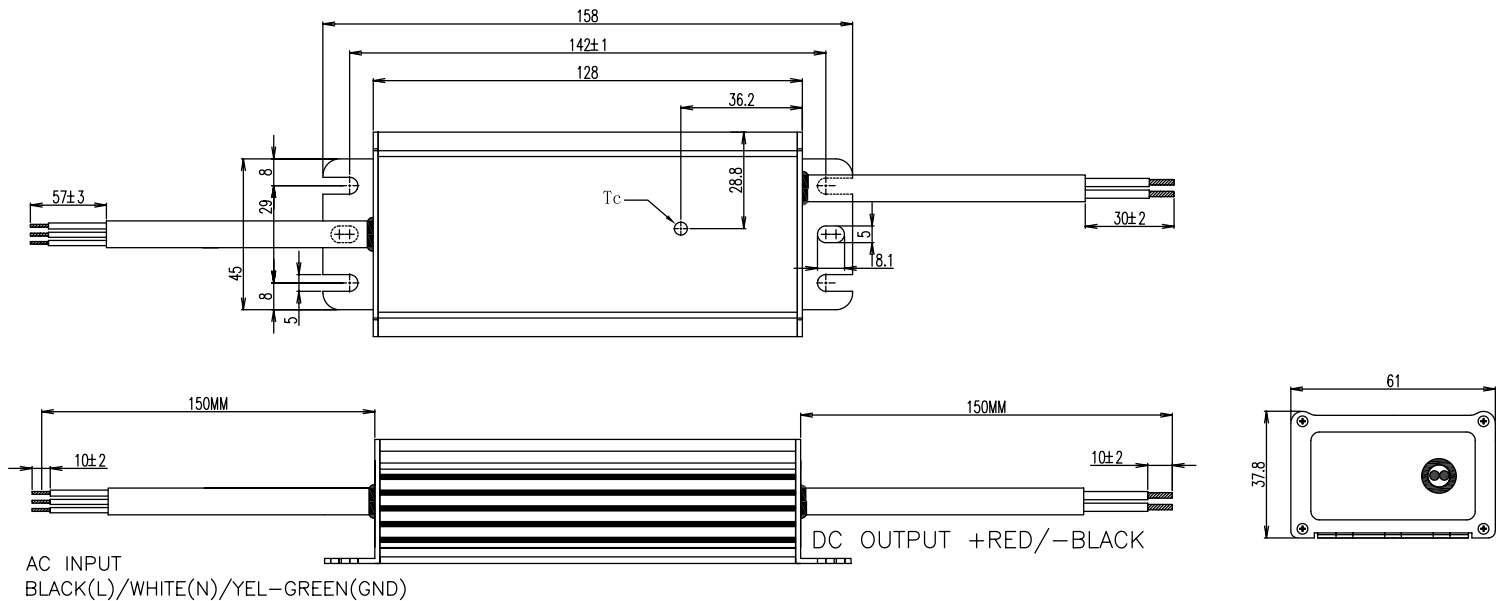
##### Electrical

- Input voltage: 90-305VAC (120V/1.05A), (230V/0.56A), (277V/0.50A)
- Output voltage: 24VDC
- Output current: 4.0A
- Output power: 100W max
- Operating temperature: -30°C to +50°C (-30°F to +122°F)

##### Construction

- Weight: 1.5 lbs. (0.68kg)
- 10 ct. package quantity
- Housing designed for high thermal capability

##### Dimensions



# PointXL Modules

## Channel Letter Lighting

### Accessories

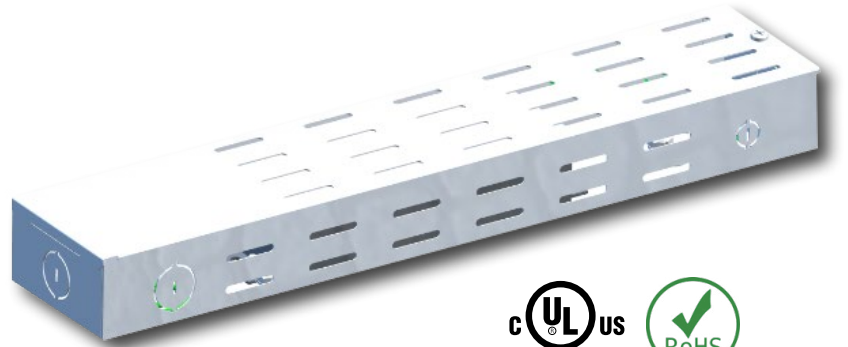
**PS2-1-WT** Life Extender Power Supply Enclosure | White

**PS2-1-BK** Life Extender Power Supply Enclosure | Black

**PS2-1-NA** Life Extender Power Supply Enclosure | Natural Galvanized

### Overview

The PS2 is a multi-purpose power source Box used in LED lighting ranging from signage to commercial and industrial applications. The PS2 is designed to simplify installation of LED drivers and wire connections, all enclosed within one box. It's available as a UL Listed enclosure or as a junction box and LED driver combo. The enclosure is designed for indoor (dry/damp) locations and meets electrical code requirements. It has knockouts on both sides of the enclosure to accommodate all of the input and output connections.



### Key Features

- Engineered for use with signage lighting, commercial lighting, and industrial lighting applications.
- Available as a UL Listed enclosure or as a junction box and LED driver combo.
- Suitable for air handling spaces.
- Complies with UL 879, UL 8750, UL 1310, and CSA 22.2
- Rated for indoor (dry/damp) locations.

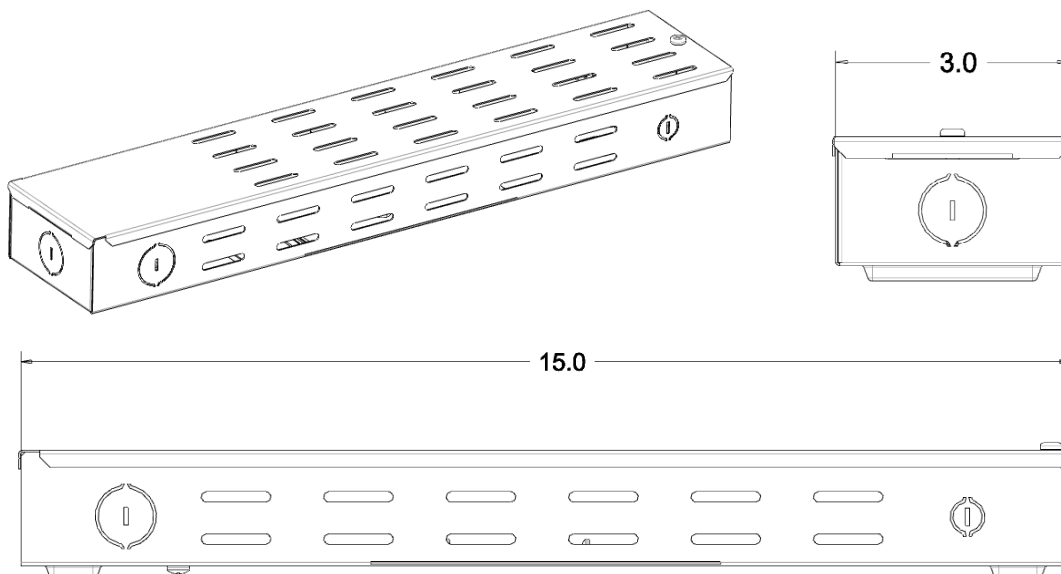
### Construction

- Robust 24-gauge steel housing protects components from harsh environments.
- Ventilation on three sides of the enclosure optimize thermal management.
- Housing is protected by a corrosion resistant powder coat finish.
- Dimensions: 15 in. X 3 in. X 1.63 in.
- Weight: 1.30 lbs.

### Mounting

- Suitable for cabinet or surface mounting use.
- Consult factory for additional mounting options.

### Dimensions



# PointXL Modules

## Channel Letter Lighting

### Accessories

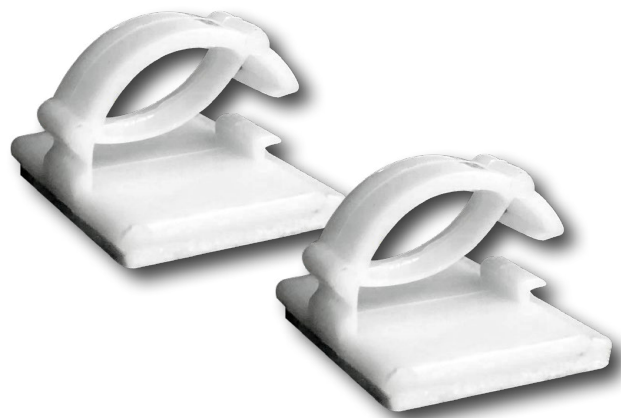
---

#### WWC-2-50 Wire Management Clips (50 Qty.)

##### Overview

---

The wire management clip helps to guide wiring around equipment and cabinets. This C-type clip has adhesive backing that allows mounting virtually to any clean, dry surfaces without drilling. The wire management clip prevents wires from blocking light, especially in shallow channel letters.



##### Key Features

---

- C-type clip designed to assist with wire management for sign cabinet and channel letter installations.
- Suitable for damp locations.

##### Construction

---

- Constructed from nylon 6/6 material.
- White color finish.
- Dimensions: 0.75 in. X 0.75 in. X 0.37 in.
- Slot dimensions: 0.23 in. x 0.19 in.

##### Mounting

---

- Adhesive backing for mounting to dry, clean surfaces without drilling.