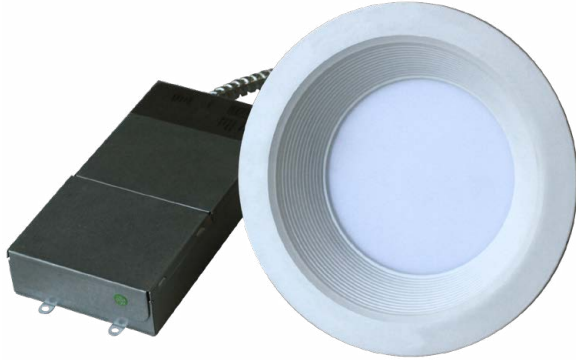




Always the Right Choice!

L-Trim SOL XL

LED Recessed Downlight



Key Features

- An economical LED downlight with exceptional energy efficiency and nearly zero maintenance.
- Available in 4"-10" diameters with output up to 3,800 lumens.

Electrical

- 120VAC input.
- 0-10V dimming with compatible dimmers.³
- Operating temperature: -30°C to 30°C (-22°F to 86°F)

Mounting

- Mounted via clamp (new build).

Construction

- Aluminum die-cast reflector with deep baffle configuration helps reduce glare.
- Includes integrated singular trim ring in a white matte finish.
- Diffused lens helps to provide comfortable, even light distribution.

Optics

- Industry leading LEDs in 3500K, 4000K, or 5000K CCT (minimum 80 CRI).
- Lumen Maintenance: 150,000 hours (L70)¹

Warranty

- Backed by US LED's Five-Year Warranty.

Project	Date
---------	------

Catalog Number	Type
----------------	------

Product Performance Summary

Lumen Output	Up to 3,800 lumens
Efficacy	Up to 105 LPW
CRI	≥ 80 CRI
Available CCT	3500K, 4000K, or 5000K
Warranty	Five-Year Warranty

Product Overview

The L-Trim SOL XL is a versatile LED downlight that delivers both value and performance in general commercial applications. Available in diameters ranging from 4"-10", the L-Trim SOL XL is an ideal LED lighting solution for healthcare, educational facilities, retail areas, and other commercial spaces.

Product Applications

- Educational Facilities
- Office Spaces
- Conference Rooms
- Hallways/Corridors
- Hospitality
- Healthcare
- Retail Areas
- General Commercial

Product Certifications/Approvals

- UL Listed.
- Complies with UL1598 and CSA 22.2.
- RoHS Compliant.



Ordering Information

Example: LTR3-1-UNV-35-8-4R-C-WH

Series	Variant	Input Voltage	CCT	Wattage	Size	Mount	Trim Color
LTR3							
1	Standard	UNV 120-277V	35 3500K	8 8W	4R ³ 4" Round	C Clamp (New Build)	WH White
			40 4000K	18 18.2W	6R 6" Round		
			50 5000K	28 28W	8R 8" Round		
				37 ² 37.3W	10R ² 10" Round		

Accessories (Sold Separately)

ILB-CP12A	Constant Power LED Emergency Driver
EH-25170-XXU	Emergency LED Battery Back-Up (for use with 18W/28W/37W options)
IP710-LFZ	Leviton® Wall Control Dimmer (for use with 8W/18.2W options)

Wattage Combinations

Size	Available Wattage
4" Round	8 W
6" Round	18.2 W
8" Round	28 W
10" Round	37.3 W

1. US LED product 'lifetimes' refer only to the LED light engine, not the power source, and are based on the Illuminating Engineering Society's TM21 Projected Lumen Maintenance methodology at a 25° C / 77° F ambient temperature. The lifetimes are solely meant to be a guide for expected LED degradation and not a warranty or predictive of their actual life, which can be affected by ambient temperatures and other factors.
 2. [10R] 10" Round option is only available with [C] Clamp option for new builds. Not available with [V] Spring retrofit option.
 3. Driver is integrated with [4R] 4" Round option. 0-10V dimming not available with [4R] 4" Round option.

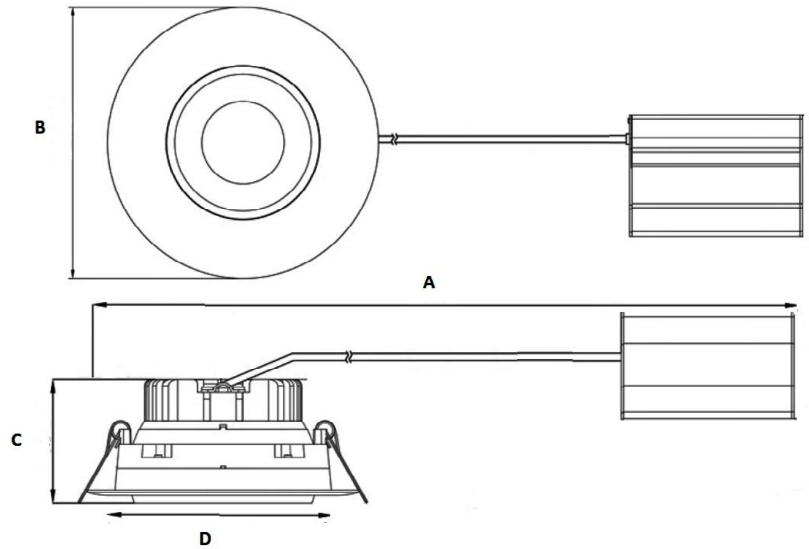
L-Trim SOL XL

LED Recessed Downlight

Dimensions

Model	A	B	C	D
4 in. Round 8W	N/A ³	5.125 in.	3.25 in.	3.5 in.
6 in. Round 18.2W	20.0 in.	7.50 in.	6.00 in.	6.00 in.
8 in. Round 28W	21.0 in.	8.75 in.	6.50 in.	8.00 in.
10 in. Round 37.3W	23.0 in.	11.0 in.	7 in.	10 in.

Model	Net Weight
4 in. Round 8W	0.5 lbs. (0.2kg)
6 in. Round 18.2W	3.0 lbs. (1.4kg)
8 in. Round 28W	3.5 lbs. (1.6kg)
10 in. Round 37.3W	5.0 lbs. (2.3kg)



Performance Data

Model	System Level Power	Delivered Lumens	Efficacy	CCT	L70 Calculate Life	L85 Calculate Life
LTR3-1-UNV-35-8-4R-X-WH	8.0W	750L	94 LPW	3500K	87,000 Hours	40,000 Hours
LTR3-1-UNV-40-8-4R-X-WH	8.0W	760L	95 LPW	4000K	87,000 Hours	40,000 Hours
LTR3-1-UNV-50-8-4R-X-WH	8.0W	780L	98 LPW	5000K	87,000 Hours	40,000 Hours
LTR3-1-UNV-35-18-6R-X-WH	18.3W	1,610L	88 LPW	3500K	163,000 Hours	75,000 Hours
LTR3-1-UNV-40-18-6R-X-WH	18.3W	1,710L	93 LPW	4000K	163,000 Hours	75,000 Hours
LTR3-1-UNV-50-18-6R-X-WH	18.3W	1,730L	95 LPW	5000K	163,000 Hours	75,000 Hours
LTR3-1-UNV-35-28-8R-X-WH	29.4W	2,900L	99 LPW	3500K	144,000 Hours	67,000 Hours
LTR3-1-UNV-40-28-8R-X-WH	29.4W	2,960L	101 LPW	4000K	144,000 Hours	67,000 Hours
LTR3-1-UNV-50-28-8R-X-WH	29.4W	3,100L	105 LPW	5000K	144,000 Hours	67,000 Hours
LTR3-1-UNV-35-37-10R-C-WH	39.2W	3,760L	96 LPW	3500K	150,000 Hours	69,000 Hours
LTR3-1-UNV-40-37-10R-C-WH	39.2W	3,780L	94 LPW	4000K	150,000 Hours	69,000 Hours
LTR3-1-UNV-50-37-10R-C-WH	39.2W	3,800L	97 LPW	5000K	150,000 Hours	69,000 Hours