



*The installation must only be performed by a licensed electrician.*

*To prevent death, injury or damage to property, this product must be installed in accordance to National Electrical Code (NFPA70) in the US or Canadian Electrical Code (CSA22.1) in Canada.*

*Disconnect power before installing the product or servicing it.*

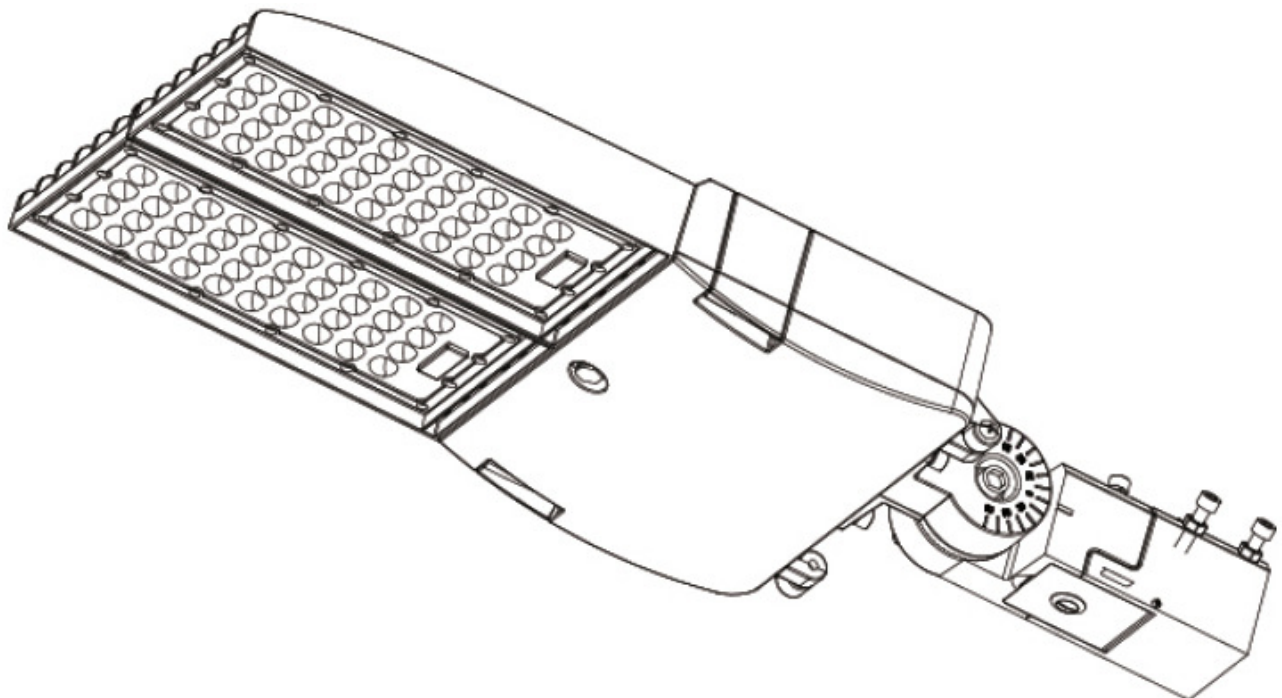
*Wait until fixture has cooled down before installing or servicing the fixture. Water in the fixture voids warranty.*

*MIN. 90°C SUPPLY CONDUCTORS*

*SUITABLE FOR WET LOCATIONS ; A CONVIENT AUX EMPLACEMENTS MODULLES*

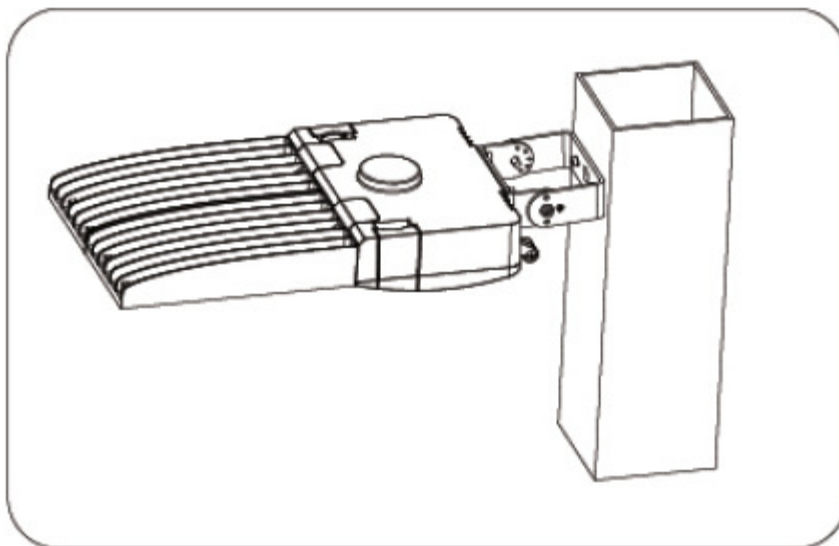
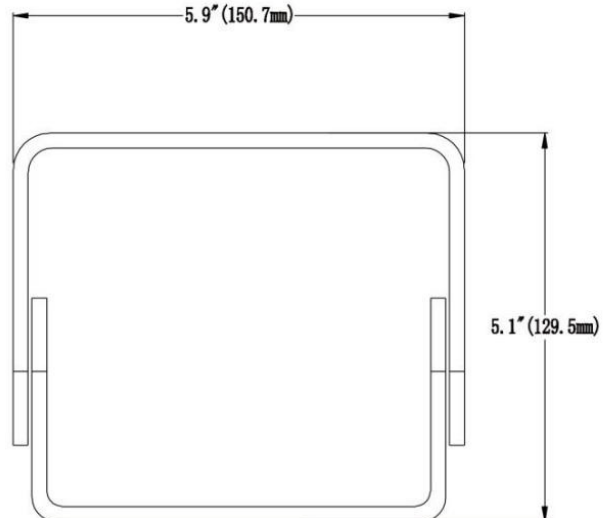
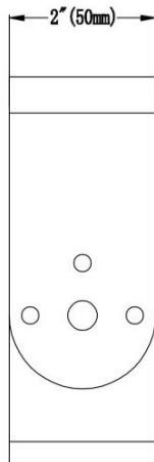
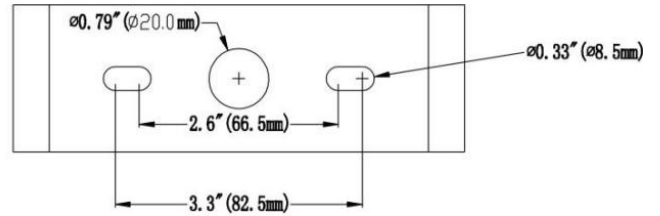
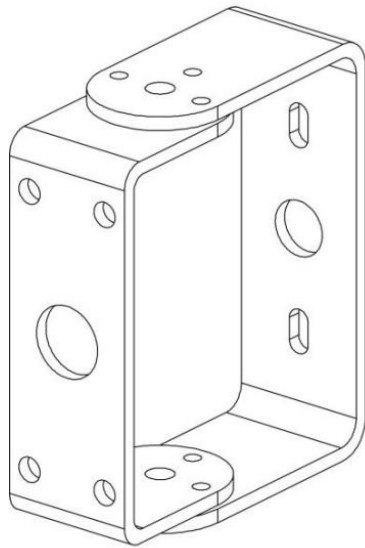
*THIS PRODUCT MUST BE INSTALLED IN ACCORDANCE WITH THE APPLICABLE INSTALLATION CODE BY A PERSON FAMILIAR WITH THE OPERATION OF THE PRODUCT AND THE HAZARDS INVOLVED; CE PRODUIT DOIT ETRE INSTALLE SELON LE CODE DE INSTALLATION PERTINENT PAR UNE PERSONNE QUI CONNAIT BIEN LE PRODUCT ET SON FONCTIONMENT AINSI QUE LES RISQUES INHERENTS*

- 1 Turn off power to the light pole at circuit breaker. ASSEMBLY PROCESS
- 2 Unbox the QDXLP1 from the packaging.
- 3 Determine the type of mount, Trunnion, SLA for 60mm Round Tenon, SLB for 40mm Round Tenon, SLD for Square Pole, SLE for 100mm Round Pole



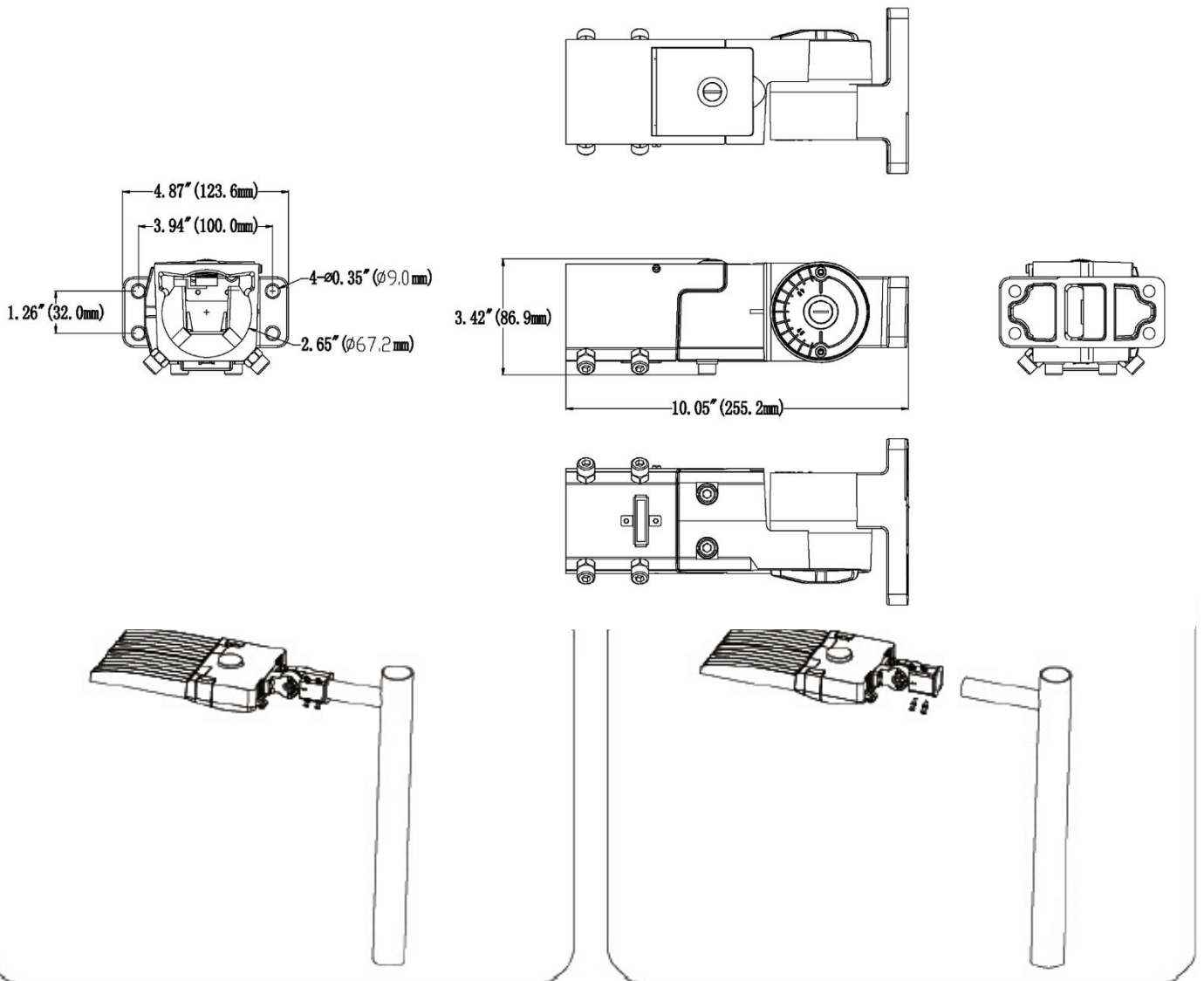
**Trunnion**

- A. Put the fixture on the pole then tighten the screws.
- B. Connect the AC wire of the fixture



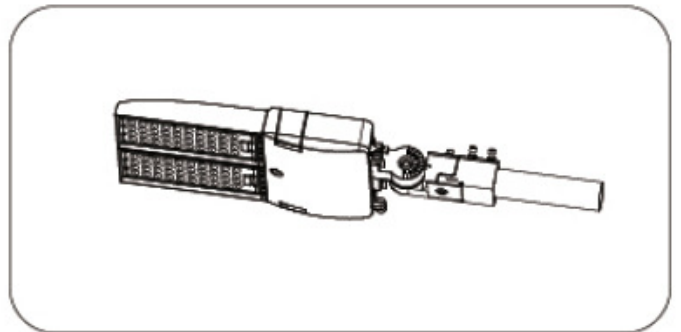
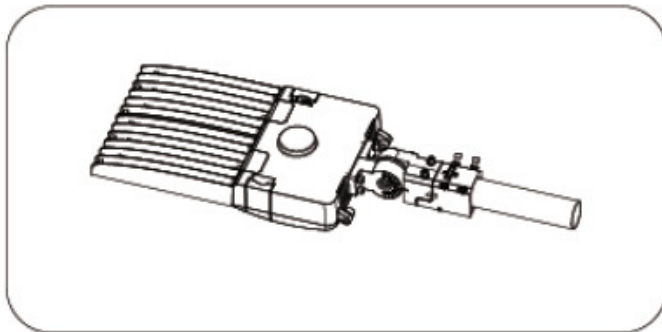
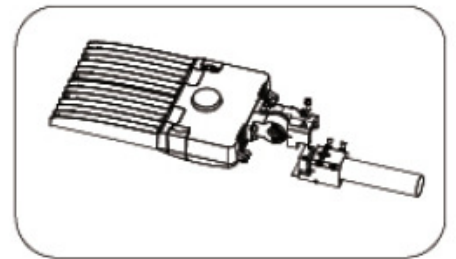
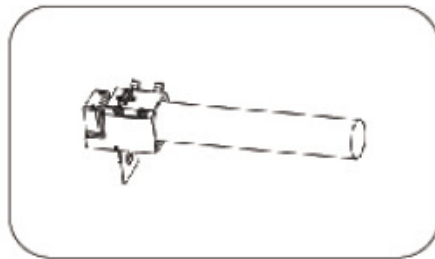
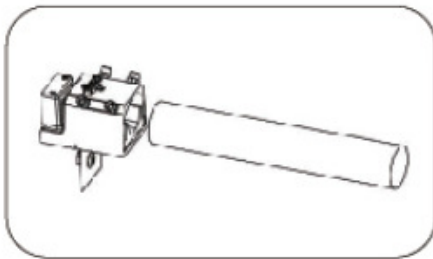
**SLA for 60mm Round Tenon**

- A. Install the bracket to the 60mm Round Tenon
- B. Tighten the four screws.
- C. Install the fixture to the bracket.
- D. Tighten the two screws.
- E. Connect the AC wires to the fixture.
- F. Close the cover of the bracket.



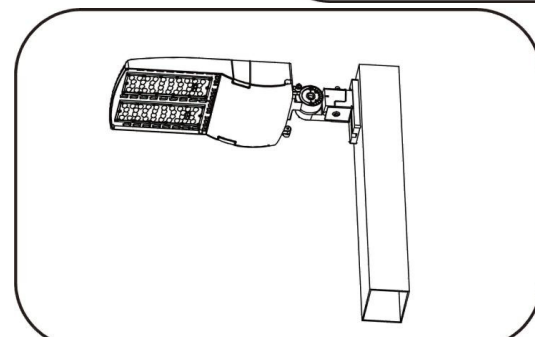
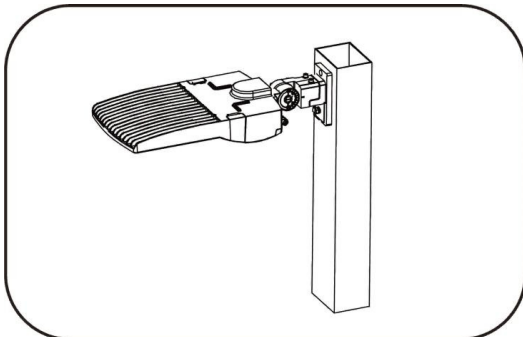
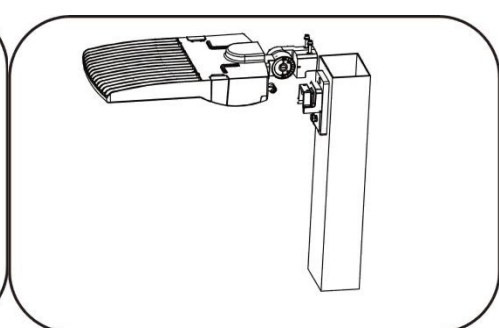
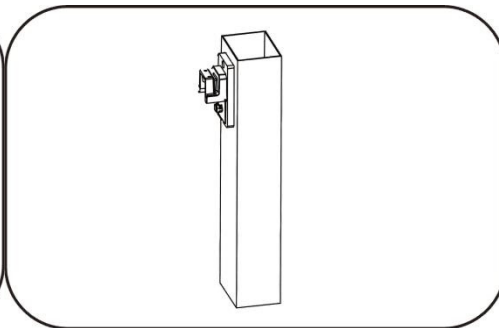
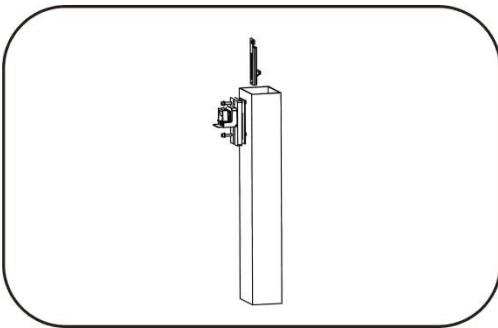
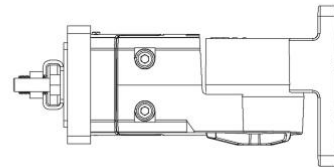
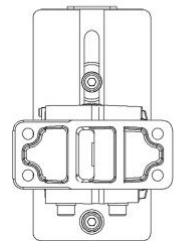
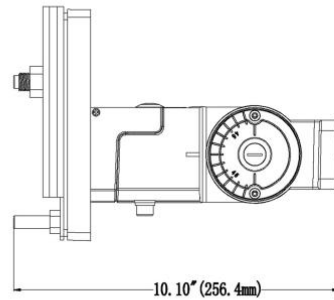
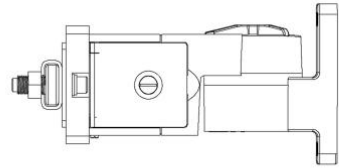
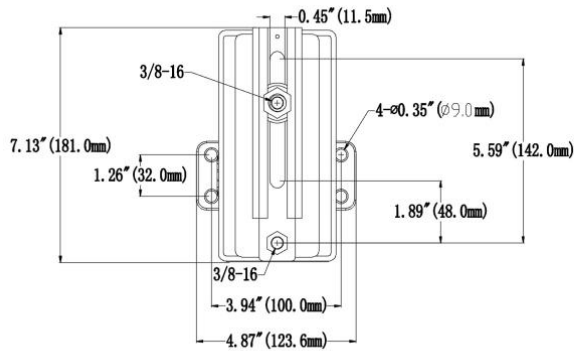
**SLB for 40mm Round Tenon**

- A. Install the bracket to the Round Tenon
- B. Tighten the four screws.
- C. Install the fixture to the bracket.
- D. Tighten the two screws.
- E. Connect the AC wires to the fixture.
- F. Close the cover of the bracket.



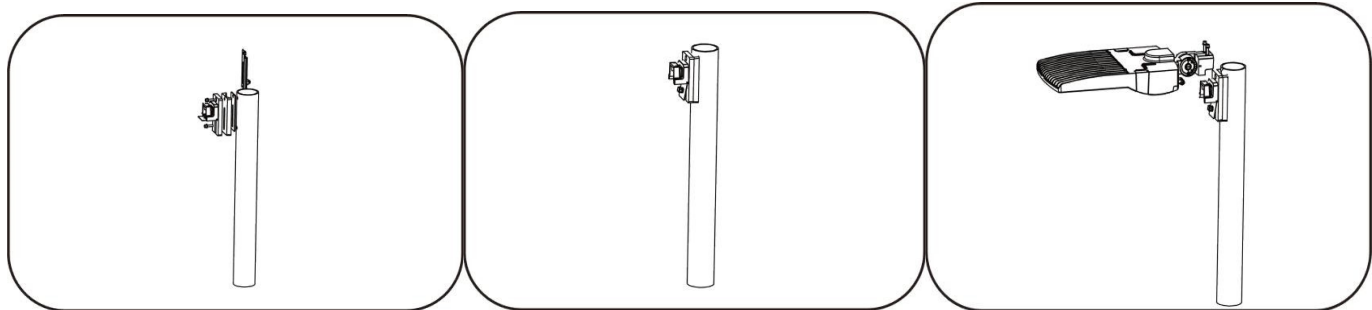
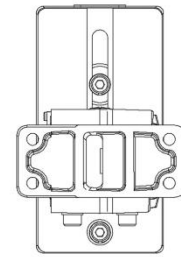
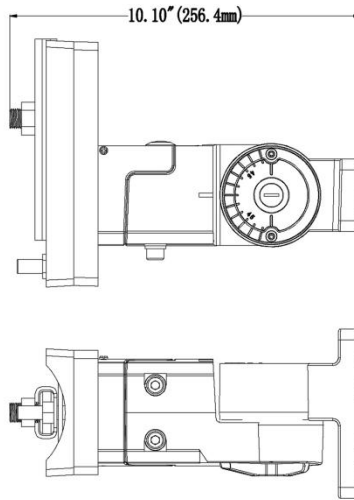
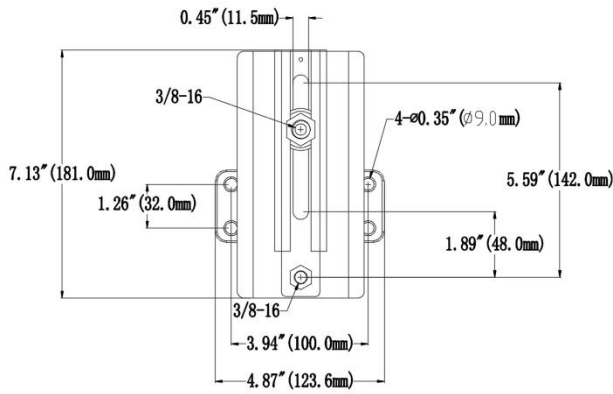
**SLD For Square Pole**

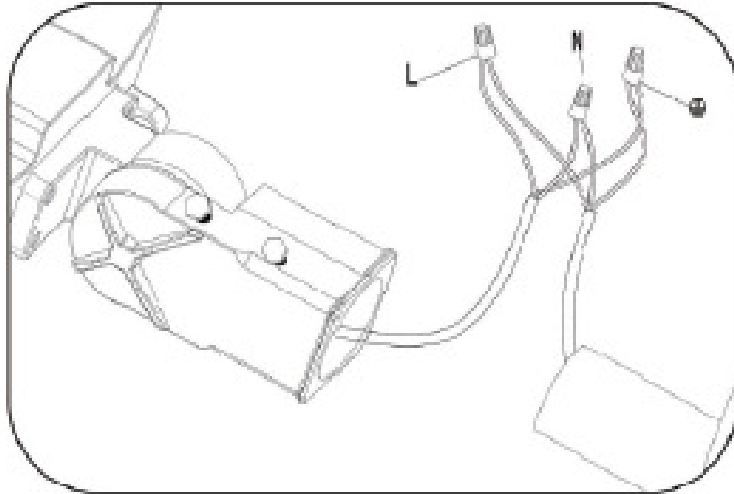
- A. Install the bracket to the square pole
- B. Tighten the plate
- C. Install the fixture to the bracket
- D. Tighten the two screws
- E. Connect the AC wire of the fixture
- F. Close the cover of the bracket



**SLE For 100mm Round Pole**

- A. Install the bracket to the round pole
- B. Tighten the plate
- C. Install the fixture to the bracket
- D. Tighten the two screws
- E. Connect the AC wire of the fixture
- F. Close the cover of the bracket





Wiring

