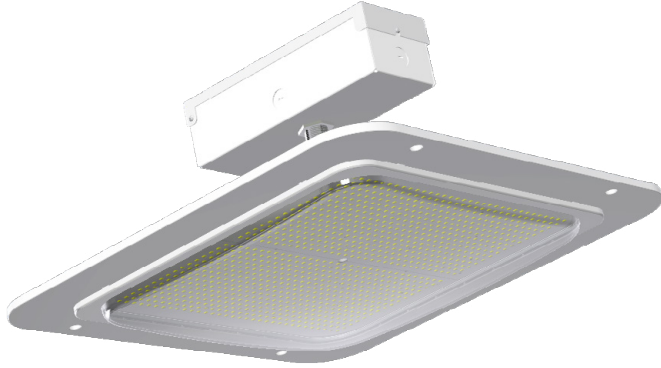


# CanopyStar® XL

## Outdoor LED Gas Canopy Light



### Key Features

- Low profile, energy-efficient LED canopy designed to accommodate a variety of applications and allow for easy installation.
- Premium photometric performance that results in sites with excellent uniformity.
- Modern aesthetics that easily integrate with any existing architecture.
- Easy installation and field serviceable.
- RoHS compliant; Mercury and UV free.

### Electrical

- 120-277VAC or 277-480VAC input 50/60 Hz.
- 0-10V dimming standard.
- Power factor: >0.90 and THD <20%.
- Operating temperature: -30°C to 45°C (-22°F to 113°F)

### Mounting

- Direct surface mount to the canopy or recessed J-Box with additional hardware.

### Construction

- Robust die-cast aluminum housing protects integral components from harsh environments and optimizes thermal management.
- Housing is protected by a standard corrosion-resistant white powder coat finish.
- IP65 rated enclosure prevents intrusion from environmental elements that could degrade performance.
- UV-stabilized polycarbonate lens is heat resistant and won't degrade over time.

### Optics

- Precision molded lens offers IES Type VS symmetrical distribution of uniform lighting.
- High-efficacy LEDs with 4000K and 5000K CCT (minimum 80 CRI).
- Lumen Maintenance: ≥100,000 hours (L70) <sup>1</sup>

### Warranty

- Backed by US LED's industry-leading Ten-Year Warranty.

Project	Date
---------	------

Catalog Number	Type
----------------	------

### Product Performance Summary

<b>Lumen Output</b>	Up to 22,831 lumens
<b>Efficacy</b>	Up to 154 LPW
<b>CRI</b>	≥ 80 CRI
<b>Available CCT</b>	4000K & 5000K
<b>Warranty</b>	Ten-Year Warranty

### Product Overview

CanopyStar XL is a low profile, energy-efficient LED canopy luminaire engineered for both new construction and retrofit projects. With easy installation in the field, it's the ideal LED canopy for gas stations, convenience stores, restaurant drive-thrus, and other exterior canopy applications. CanopyStar XL offers exceptional light distribution and uniform coverage thanks to its precision molded lens. The CanopyStar XL provides ultra-long life illumination for over 100,000 hours (L70) and is backed by US LED's Ten-Year Warranty.

### Product Applications

- Gas Stations
- Convenience Stores
- Restaurant Drive-Thrus
- Bank Drive-Thrus
- Walkway Canopies
- Business Campuses
- Industrial Facilities
- Commercial Exteriors

### Product Certifications

- UL Listed
- Complies with UL1598 and CSA C22.2
- Suitable for Wet Locations
- Night Sky Friendly
- IP65 Rated Enclosure
- RoHS Compliant



### Ordering Information

Example: GCL1-15-UNVH-50-C-WH

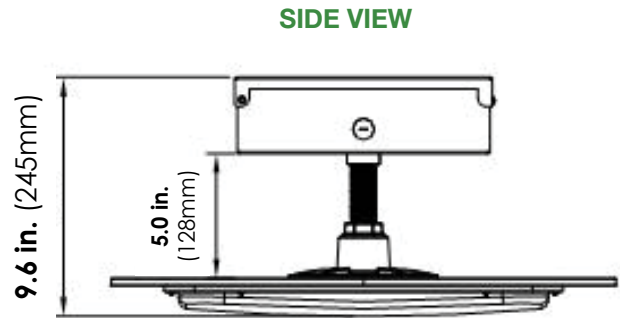
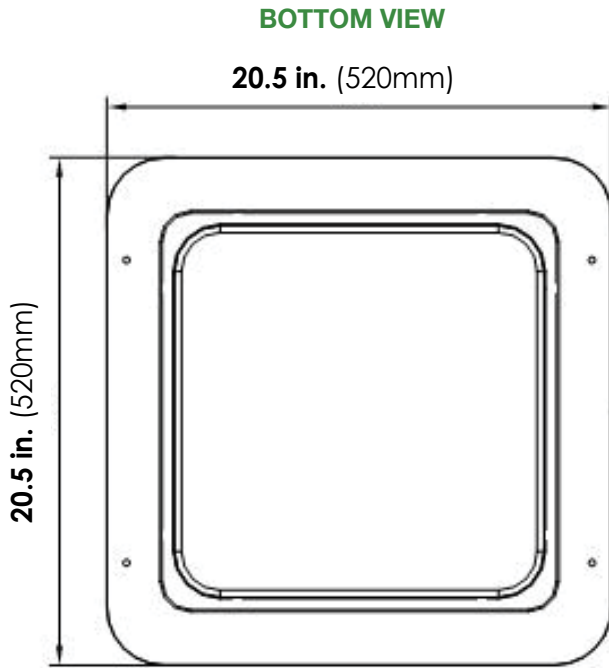
Series	Power	Input Voltage	CCT	Lens	Finish
<b>07</b>	70W	<b>UNVL</b> 120-277V	<b>40</b> 4000K	<b>F</b> Frosted	<b>WH</b> White
<b>13</b>	130W	<b>UNVH</b> 277-480V	<b>50</b> 5000K		<b>BZ</b> Bronze
<b>15</b>	150W				<b>CUS</b> Custom Color <sup>2</sup>

1. Product 'Lifetimes' refer only to the LED light engine, not the power source, and are based on the Illuminating Engineering Society's TM21 Projected Lumen Maintenance methodology at a 25° C / 77° F ambient temperature. The lifetimes are solely meant to be a guide for expected LED degradation and not a warranty or predictive of their actual life, which can be affected by ambient temperatures and other factors.  
2. Please consult factory for more information on additional custom color options.

# CanopyStar XL

## Outdoor LED Gas Canopy Light

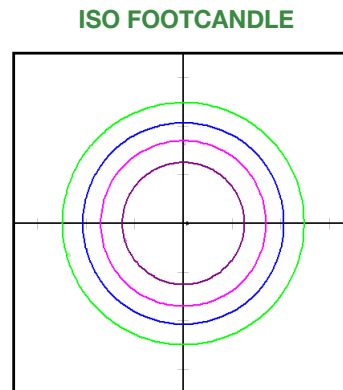
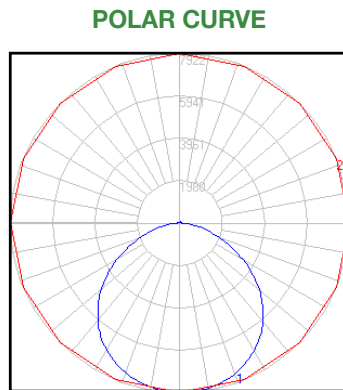
### Dimensions



Models	Net Weight	Shipping Weight
70W/130W/150W	12.6 lbs. (5.7kg)	15.6 lbs. (7.1kg)

### Performance Data

All photometric testing performed to IESNA LM-79 standards by an accredited testing facility. For detailed photometric data please visit [www.usled.com](http://www.usled.com).



15' Mounting Height / 15' Grid Spacing

■ 5 FC ■ 2 FC ■ 1 FC ■ 0.5 FC

Model	System Level Power	Delivered Lumens	Efficacy	CCT	IES Type	L70 Calculate Life
GCL1-07-UNVL-50-F-WH	73.3W	11,314	154 LPW	5000K	Type VS	≥100,000 Hours
GCL1-13-UNVL-50-F-WH	131.8W	20,285	153 LPW	5000K	Type VS	≥100,000 Hours
GCL1-15-UNVL-50-F-WH	152.4W	22,831	150 LPW	5000K	Type VS	≥100,000 Hours