



Always the Right Choice!

QubePAK®3

Outdoor LED Wall Pack



Key Features

- Low-wattage, highly efficient patented LED replacement for legacy lighting technology.
- Robust die-cast aluminum housing protects integral components from harsh environments and optimizes thermal management.

Electrical

- 120-277V 50/60Hz driver.
- 0-10V dimming standard.
- System power factor >90% and THD <20%.
- Operating temperature: -40°C to 40°C (-40°F to 104°F).

Mounting

- Designed for wall mounting above four feet from the ground.
- Housing is configured for mounting directly over a standard 4" outlet box (by others) or surface wiring via any of the convenient 1/2" threaded conduit entries.

Construction

- Housing is protected by a RoHS compliant, corrosion resistant powder coat finish.
- Standard architectural bronze finish.
- High impact, heat resistant borosilicate glass lens is hinged and won't degrade.
- Net Weight: 8.6 lbs.

Optics

- Industry leading LEDs with 3000K, 4000K, and 5000K CCT (minimum 70 CRI).
- Lumen Maintenance: 146,000 hours (L70).¹

Warranty

- Backed by US LED's industry-leading Ten-Year Warranty.

Project	Date
---------	------

Catalog Number	Type
----------------	------

Product Performance Summary

Lumen Output	Up to 5,340 lumens
Efficacy	Up to 134 LPW
CRI	≥ 70 CRI
Available CCT	3000K, 4000K & 5000K
Warranty	Ten-Year Warranty

Product Overview

The QubePAK®3 is an energy-efficient LED alternative for existing lighting technology like metal halide. This LED wall pack offers quality illumination in a popular, classic appearance. Perfect for any commercial exterior application, it keeps a traditional shape that easily maintains architectural aesthetics. The QubePAK®3 is ideal for new construction or retrofit projects that need ultra-long lifetime operation.

Product Applications

- Perimeter Areas
- Building Exteriors
- Security Lighting
- Wall Washing
- Parking Lots
- Educational Facilities
- Business Campuses
- Industrial Facilities
- Mall/Retail Areas
- Recreational Areas

Product Certifications

- ETL Listed for US & Canada
- Complies with UL1598 and CSA C22.2
- DLC Listed
- Suitable for Wet Locations
- IP65 Rated Enclosure
- RoHS Compliant



Ordering Information

Example: DS-402U-3-UNVL-50-96-BZ

DS-402U					
Series	Variant	Input Voltage	CCT	Wattage	Finish
3	Generation 3	UNVL 120-277V	30 3000K 40 4000K 50 5000K	96 960mA	BZ Bronze

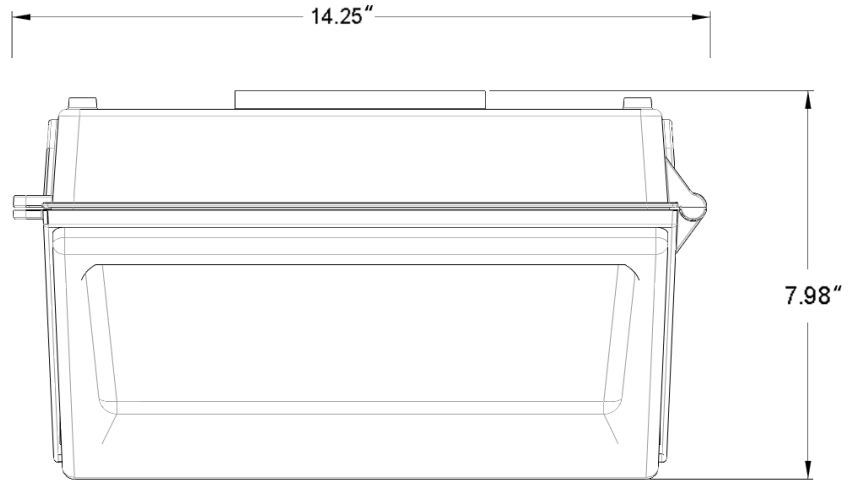
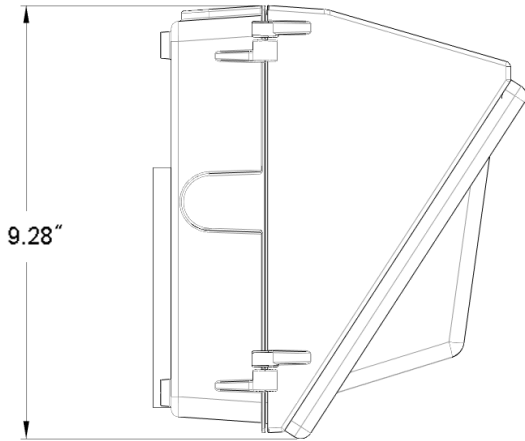
Accessories
PC Photocell

¹. US LED product 'Lifetimes' refer only to the LED light engine, not the power source, and are based on the Illuminating Engineering Society's TM21 Projected Lumen Maintenance methodology at a 25° C / 77° F ambient temperature. The lifetimes are solely meant to be a guide for expected LED degradation and not a warranty or predictive of their actual life, which can be affected by ambient temperatures and other factors.

Dimensions

Side View

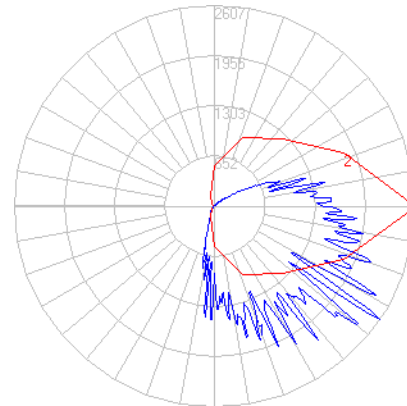
Top View



Performance Data

Luminaire Photometric Data

Model Number	DS-402U-3-UNVL-50-96-BZ
Issue Date	07/12/2018
IESNA	LM-63-2002
Lamp	LED
Total Input Watts	39.9
Total Lumens	5,320
Efficacy	133 LPW
BUG Rating	B1-U4-G4



Model	CCT	System Level Power	Delivered Lumens	Efficacy	L70 Calculated Life
DS-402U-3-UNVL-30-96-BZ	3000K	40.0W	5,340	134 LPW	146,000 Hours
DS-402U-3-UNVL-40-96-BZ	4000K	39.9W	5,170	130 LPW	146,000 Hours
DS-402U-3-UNVL-50-96-BZ	5000K	39.9W	5,320	133 LPW	146,000 Hours