



Always the Right Choice!

PSB Series

24V/96W Power Supply Unit



Key Features

- For use in outdoor signage applications
- 24VDC, Class 2 power supply
- 90-305VAC input voltage
- Complies with UL 879, UL 8750, UL 1310 and CSA 22.2
- Complies with FCC 47CFR Part 15
- Same loading as prior model PSA-24-100
- IP66 rated housing¹

Construction

- Weight: 1.5 lbs. (0.68kg)
- 10 ct. package quantity
- Housing designed for high thermal capability

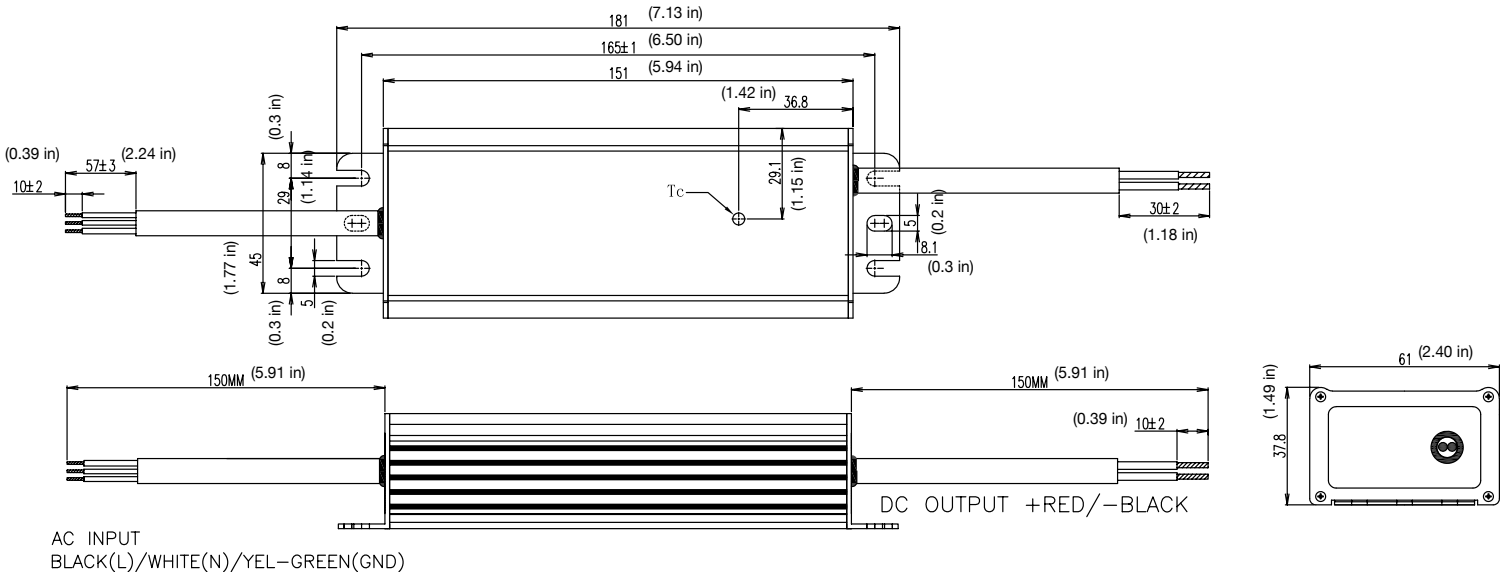
Electrical

- Input voltage: 90-305VAC (120V/1.05A), (230V/0.56A), (277V/0.50A)
- Output voltage: 24VDC
- Output current: 4.0A
- Output power: 100W max
- Operating temperature: -30°C to +50°C (-30°F to +122°F)

Ordering Information

PSB-1-24-96

Dimensions



¹. Conductor splices must be made in a junction box as required by local electrical code or NEC. Driver must be installed per local code or NEC.

Project	Date
---------	------

Catalog Number	Type
----------------	------

Product Overview

The PSB 24V is a high-performance, Class 2 power supply unit intended for use with LED lighting in outdoor signage applications. It is designed to withstand moisture with an IP66 environmental rating and is RoHS compliant. The PSB is engineered to speed up installation and ensure reliable operation long term.

Product Applications

- Outdoor Signage
- Sign Cabinet

Product Certifications/Approvals

- Complies with UL 879, UL 8750, UL 1310 and CSA 22.2
- Suitable for damp locations
- Complies with FCC 47CFR Part 15
- IP66 rated housing.¹
- RoHS Compliant.

