

VaporStar

Vapor Tight Enclosed LED Light



Key Features

- Enclosed and gasketed luminaire that utilizes highly-efficient LED technology.
- Gasket and cam latches seal the enclosure, making it weather resistant and corrosion free for wet locations.
- Knockouts and end plugs provided for easy wiring access in the field.

Electrical

- 120-277VAC 50/60Hz input.
- 0-10V dimming standard.
- Power factor: >0.90 and THD <20%.
- Operating temperature: -40°C to 40°C (-40°F to 104°F).

Mounting

- Ready to be surface mounted, pendant mounted or safety chain hung.
- Ideal mounting height of 12 to 25 feet.

Construction

- Gray housing and opal lens is impact-resistant polycarbonate for durability and reliability.
- (8) Stainless steel cam latches standard.
- IP65 rated enclosure prevents intrusion from environmental elements that could degrade performance.

Optics

- Industry-leading LEDs with 5000K CCT (minimum 80 CRI).
- Lumen Maintenance: >161,000 hours (L70).¹

Warranty

- Backed by US LED's Five-Year Warranty.

Project	Date
---------	------

Catalog Number	Type
----------------	------

Product Performance Summary

Lumen Output	Up to 7,040 lumens
Efficacy	Up to 130 LPW
CRI	≥ 80 CRI
Available CCT	5000K
Warranty	Five-Year Warranty

Product Overview

The VaporStar is a low-profile, linear LED luminaire that's designed for industrial use. Engineered for durability and reliability in wet locations, the VaporStar features an impact-resistant polycarbonate housing and lens. In addition, this enclosed and gasketed linear luminaire is designed to be weather resistant, corrosion-free, and easy to clean or service. As a result, the VaporStar is the ideal choice for industrial or manufacturing areas, refrigeration, parking garages, and other commercial and industrial applications.

Product Applications

- Parking Garages
- Refrigeration/Freezers
- Manufacturing/Industrial
- Retail Centers
- Educational Facilities
- Business Campuses

Product Certifications

- UL Listed
- CSA Listed
- NSF Certified
- Suitable for Wet Locations
- IP65 Rated Enclosure
- RoHS Compliant



Ordering Information

Example: VTF-1-4-UNVL-40-2-50

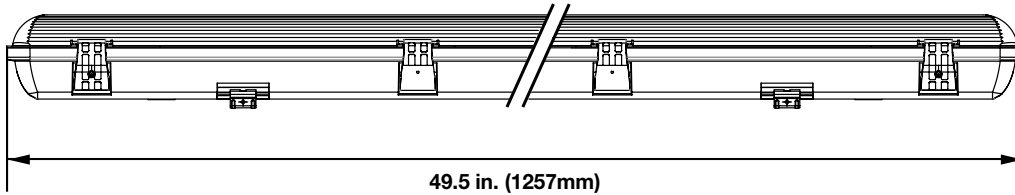
VTF1						
Series	Variant	Size	Input Voltage	Power	Driver	CCT
1	Standard	4 4 ft.	UNVL 120-277V	40 40W	2 iNFIni Driver 0-10V	50 5000K
				55 55W ²		

1. Product 'Lifetimes' refer only to the LED light engine, not the power source, and are based on the Illuminating Engineering Society's TM21 Projected Lumen Maintenance methodology at a 25° C / 77° F ambient temperature. The lifetimes are solely meant to be a guide for expected LED degradation and not a warranty or predictive of their actual life, which can be affected by ambient temperatures and other factors.
2. Additional lead time may apply for 55W model. Please consult factory.

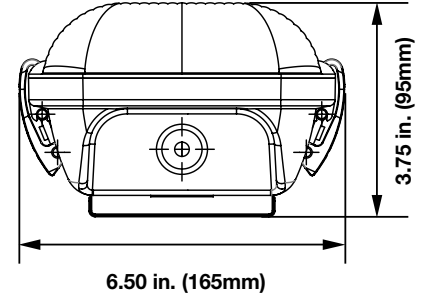
Dimensions

Net Weight
7.0 lbs. (3.18kg)

Side View



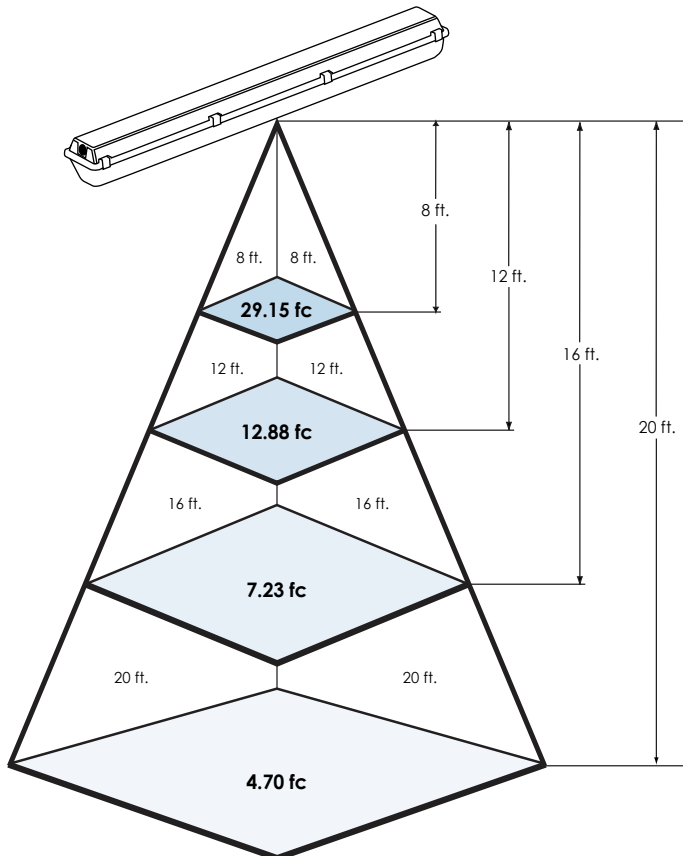
End View



Performance Data

Model	System Level Power	Delivered Lumens	Efficacy	CCT	L70 Calculate Life	L85 Calculate Life
VTF1-1-4-UNVL-40-2-50	40.0W	5,200L	130 LPW	5000K	161,000 Hours	75,000 Hours
VTF1-1-4-UNVL-55-2-50	55.0W	7,040L	128 LPW	5000K	161,000 Hours	75,000 Hours

Light Distribution



Room Model	Mounting Height	AVG.	MAX.	MIN.
8 ft. x 8 ft.	8 ft.	29.15 fc	34.6 fc	24.0 fc
12 ft. x 12 ft.	12 ft.	12.88 fc	15.8 fc	9.7 fc
16 ft. x 16 ft.	16 ft.	7.23 fc	9.00 fc	5.20 fc
20 ft. x 20 ft.	20 ft.	4.70 fc	5.90 fc	3.30 fc

Illumination level calculations are of luminaires tested to IESNA LM-79 standards by an NVLAP® accredited facility and Illuminating Engineering Society standard practices. The performance of any US LED luminaire may vary based on varying application conditions.