

# L-Trim SOL XLE Select

LED Downlight | Selectable Wattage & CCT



## Key Features

- Versatile LED downlight engineered for both new construction and retrofit projects.
- Selectable switch for wattage and CCT.
- Diffused lens helps to provide comfortable, uniform light distribution.
- Suitable for use in outdoor wet locations.

## Electrical

- 120-277VAC input; 0-10V dimming standard.
- Power factor: >0.70 and THD <20%.
- Operating temperature: -30°C to 40°C (-22°F to 104°F).

## Mounting

- Mounts directly into ceiling with spring action clips (IC rated).

## Construction

- Die-cast aluminum and polycarbonate housing offers a deep baffle configuration.
- Includes integrated singular trim ring in a white matte finish.
- Includes pre-installed flex conduit lead.
- Frosted plastic lens reduces glare.

## Optics

- Industry-leading LEDs with selectable CCT via switch in the field: 2700K, 3500K, and 5000K CCT (minimum 90 CRI).
- 100° Beam Angle
- Lumen Maintenance: ≥ 60,000 hours (L70) <sup>1</sup>

## Warranty

- Backed by US LED's Five-Year Warranty.

Project	Date
---------	------

Catalog Number	Type
----------------	------

## Product Performance Summary

Lumen Output	Up to 1,500 lumens
Efficacy	Up to 83 LPW
CRI	≥ 90 CRI
Available CCT	Selectable CCT: 2700K, 3500K, & 5000K
Warranty	Five-Year Warranty

## Product Overview

The L-Trim SOL XLE Select is an all-in-one LED downlight solution that delivers both value and performance for retrofits and new construction. It comes standard with selectable wattage and CCT allowing for in-the-field customization. The L-Trim SOL XLE Select is an ideal LED lighting solution for restaurants, retail, healthcare, educational facilities, and other commercial applications.

## Product Applications

- Restaurants
- Office Spaces
- Conference Rooms
- Hallways/Corridors
- Hospitality
- Healthcare
- Retail Areas
- General Commercial

## Product Certifications

- ETL Listed
- Complies with UL1598 and CSA 22.2
- Suitable for wet locations
- Energy Star Certified
- IC Rated for direct contact with insulation
- RoHS compliant



## Ordering Information

Example: LTR4-6R-UNV-1-SCCT-WH

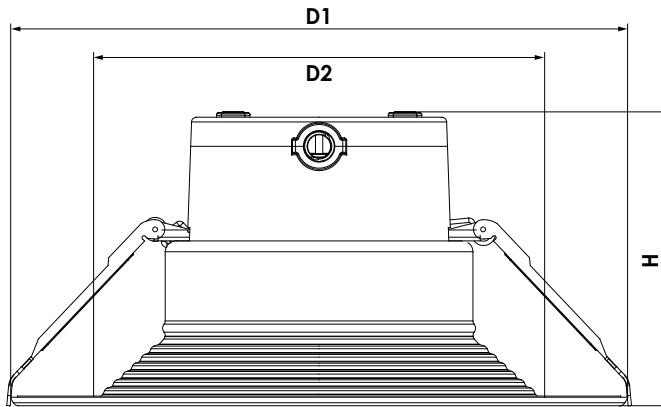
LTR4					
Series	Size	Input Voltage	Variant	Selectable CCT	Trim Color
6R	6" Round	UNV 120-277V	1 Standard	SCCT Selectable CCT: 2700K, 3500K, & 5000K	WH White

<sup>1</sup>. US LED product 'lifetimes' refer only to the LED light engine, not the power source, and are based on the Illuminating Engineering Society's TM21 Projected Lumen Maintenance methodology at a 25° C / 77° F ambient temperature. The lifetimes are solely meant to be a guide for expected LED degradation and not a warranty or predictive of their actual life, which can be affected by ambient temperatures and other factors.

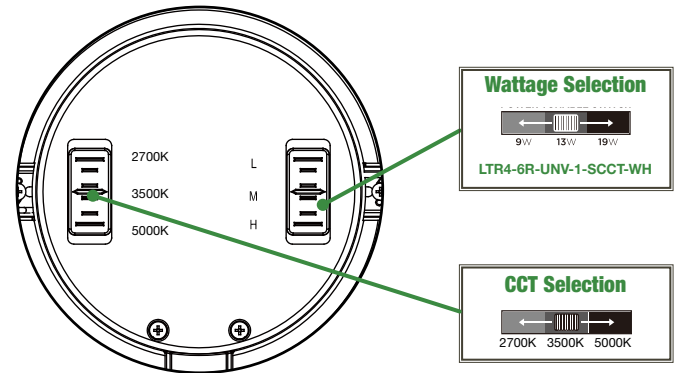
# L-Trim SOL XLE Select

LED Downlight | Selectable Wattage & CCT

## Dimensions



Diameter Size	D1	D2	H	Cut-Out	
				Min.	Max.
6" Round	8 7/16"	5 7/8"	4 7/16"	ø 6 1/8"	ø 7 3/16"

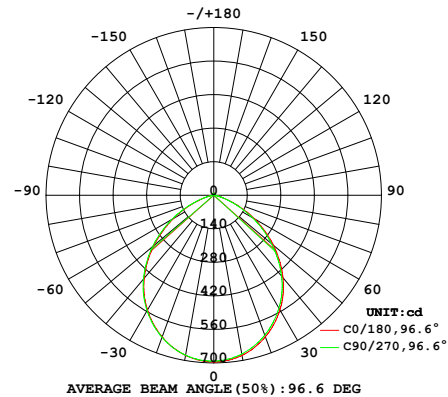


## Performance Data

### Luminaire Photometric Data

Model Number	<b>LTR4-6R-UNV1-SCCT-WH</b>
Issue Date	<b>04/02/2020</b>
IESNA	<b>LM-63-2002</b>
Lamp	<b>LED</b>
Total Input Watts	<b>18.7</b>
Total Lumens	<b>1,568.5</b>
Efficacy	<b>83.8 LPW</b>

### Luminous Intensity Distribution Diagram



Model	Diameter Size	System Level Power	Delivered Lumens	Efficacy	Adjustable CCT	L70 Calculate Life
LTR4-6R-UNV-1-SCCT-WH	6" Round	9.0W	750	83 LPW	2700K/3500K/5000K	≥ 60,000 Hours
LTR4-6R-UNV-1-SCCT-WH	6" Round	13.0W	1050	81 LPW	2700K/3500K/5000K	≥ 60,000 Hours
LTR4-6R-UNV-1-SCCT-WH	6" Round	19.0W	1,500	79 LPW	2700K/3500K/5000K	≥ 60,000 Hours