



Always the Right Choice!

ExsaBay® XLE

High Bay LED Luminaire



Key Features

- Energy-efficient LED replacement for conventional fluorescent or HID systems.
- Modular design accommodates multiple lumen packages up to 72,150L.
- Suspended, surface, or pendant mounted.

Electrical

- 120-277V or 347-480V available.
- 0-10V dimming standard (Mark 7 interface).
- Integrated emergency driver/battery back-up accessory available.
- Operating temperature: -40°C to +50°C (-40°F to +122°F)

Mounting

- Suspended and surface mount ready.
- Ships with (2) 40" chains and v-hooks.
- Pendant mounting kit accessory available.

Construction

- Housing is fabricated from aluminum for maximum durability and is designed to optimize thermal management.
- Lightweight aluminum heat sink is designed to perform naturally convective cooling.
- Finish is pre-painted white standard.
- Wire guard accessories available.

Optics

- Industry leading LEDs with 3500K, 4000K, or 5000K CCT (minimum 80 CRI).
- Lumen Maintenance >190,000 hours (L70) ¹
- Lens optics are designed to output a specialized light distribution for optimal performance in specific applications.

Warranty

- Backed by US LED's industry-leading Ten-Year Warranty.

Project	Date
---------	------

Catalog Number	Type
----------------	------

Product Performance Summary

Lumen Output	Up to 72,150 lumens
Efficacy	Up to 150 LPW
CRI	≥ 80 CRI
Available CCT	3500K, 4000K or 5000K
Warranty	Ten-Year Warranty

Product Overview

For industrial general area new construction or retrofit applications, US LED's solution is the ExsaBay® XLE family of high bays. The ExsaBay XLE family is an economical, scalable high bay solution to install and replace existing fluorescent, high pressure sodium and metal halide technologies. The ExsaBay XLE is designed specifically for open area lighting distribution patterns, providing a variety of lumen packages ranging from 15,150 to 72,150 lumens. The ExsaBay XLE is intended to be mounted via adjustable cable hangers in a typical mounting height range of 20-70'.

Product Applications

- Warehouses
- Industrial Facilities
- Manufacturing Facilities
- Storage Facilities
- Large Open Areas
- Airport Hangars
- Gymnasiums
- Commercial Buildings

Product Certifications/Approvals

- ETL Listed for US & Canada
- Complies with UL 1598 and CSA 22.2
- Suitable for damp locations
- DLC Premium Listed
- RoHS compliant



Ordering Information

Series	Variant	Input Voltage	Optics	CCT	Power	Sensor	Battery Backup
EBXLE1	1 Standard	UNVL 120-277V	45 45°	30 3500K	C 101W	Y Motion ³	Y Yes ²
		UNVH 347-480V	90 90°	40 4000K	E 161W	D Daylight ³ Harvesting	N No
			50 5000K	F 201W	N None		
				H 321W			
				J 401W			
				K 481W			

Example: EBXLE1-1-UNVL-45-50-C-Y-Y

Accessories (Sold Separately)	
30200	20' Aircraft Cable Mounting Kit
30202	10' Aircraft Cable Mounting Kit
EBXLE1-PM	Pendant Mount Kit
EBXLE-WG-1	Type C Wire Guard
EBXLE-WG-2	Type E/F Wire Guard
EBXLE-WG-3	Type H/J Wire Guard
EBXLE-WG-4	Type K Wire Guard

1. US LED product 'Lifetimes' refer only to the LED light engine, not the power source, and are based on the Illuminating Engineering Society's TM21 Projected Lumen Maintenance methodology at a 25° C / 77° F ambient temperature. The lifetimes are solely meant to be a guide for expected LED degradation and not a warranty or predictive of their actual life, which can be affected by ambient temperatures and other factors.

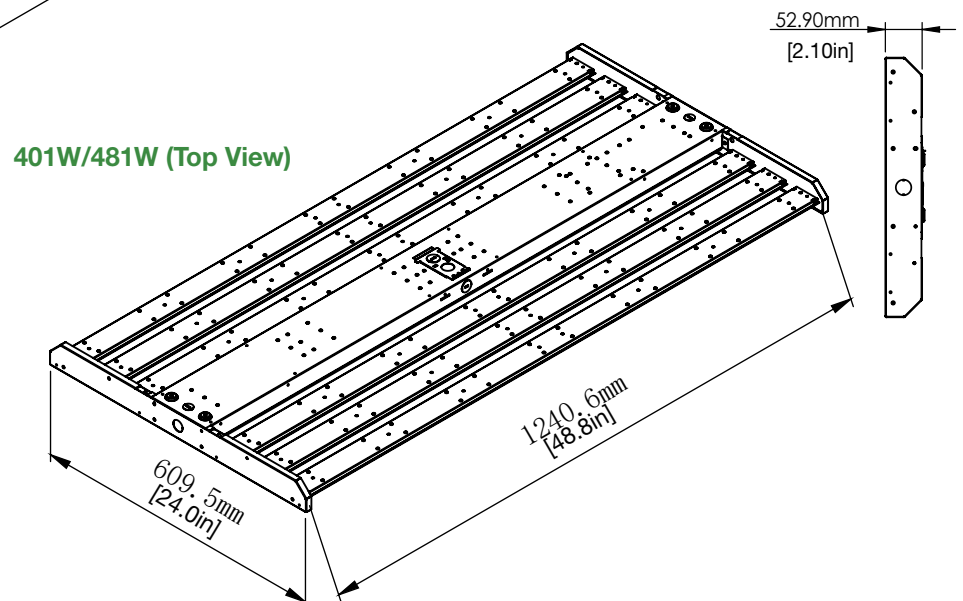
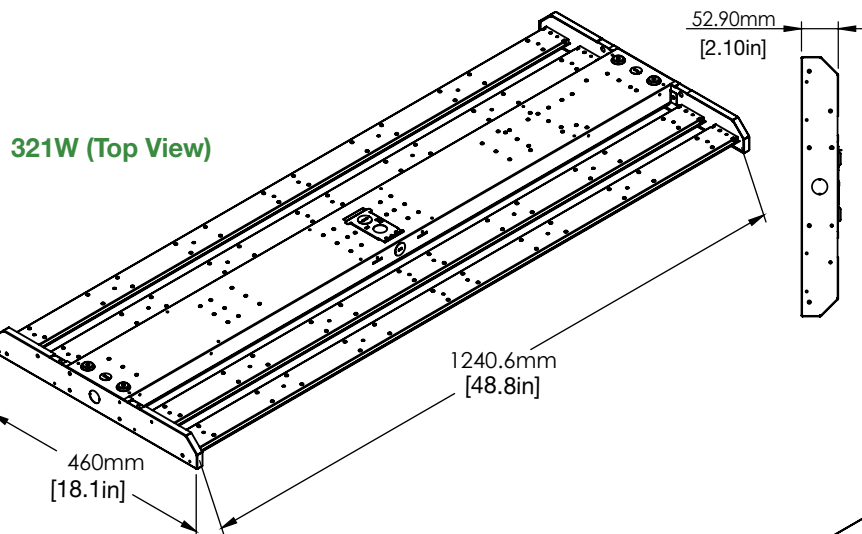
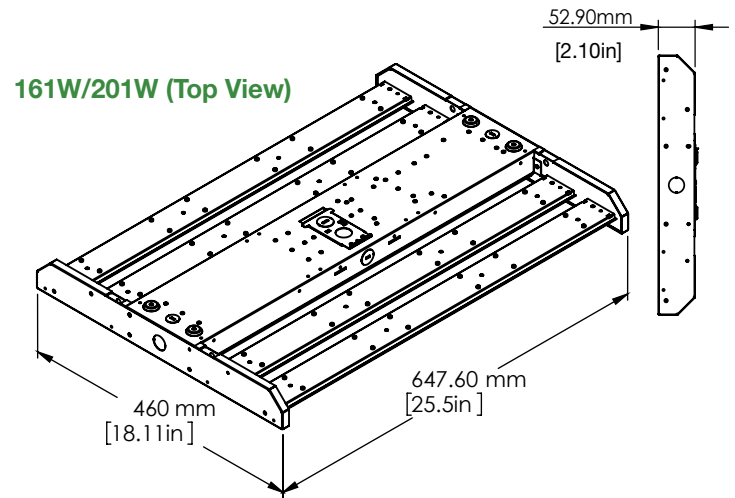
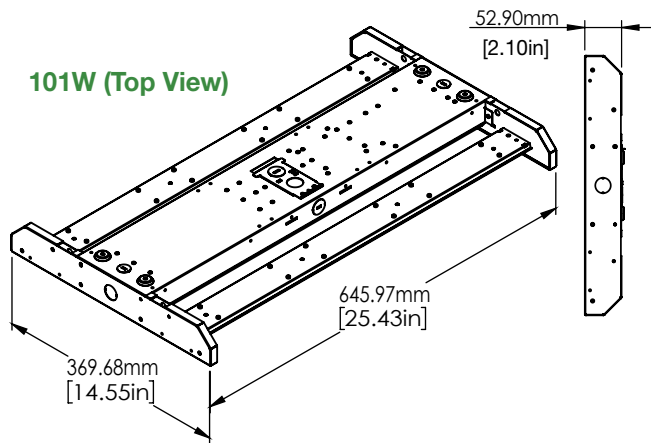
2. Not DLC Listed, 277VAC only.

3. Please consult factory for sensor manufacturer specifications.

ExsaBay® XLE

High Bay LED Luminaire

Dimensions

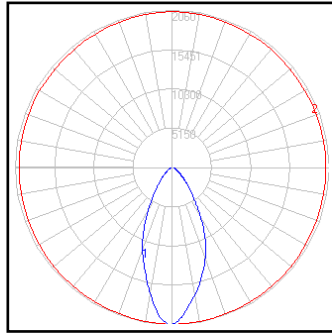


Power	Max Mount Height	Net Weight
101W	20 ft.	9 lbs. (4.1kg)
161W	30 ft.	13 lbs. (5.9kg)
201W	40 ft.	13 lbs. (5.9kg)
321W	50 ft.	23 lbs. (10.4kg)
401W	60 ft.	26 lbs. (11.8kg)
481W	70 ft.	32 lbs. (14.5kg)

Optical Distributions

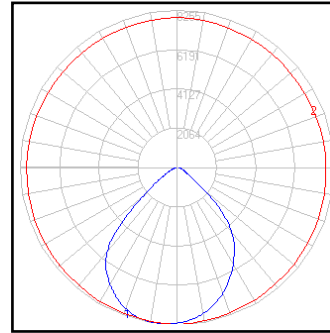
All photometric testing performed to IESNA LM-79 standards by a NVLAP® accredited testing facility. ISO footcandle plots below demonstrate the distribution patterns only based on 25' mounting height. Visit www.usled.com for download complete specifications, IES files, or to request a photometric layout.

45° Distribution (Aisle)



The 45° aisle optical distribution forms a concentrated, narrow pattern that's commonly used for the aisles in between racks in a warehouse, or other areas with narrow walkways.

90° Distribution (Medium)



The 90° medium optical distribution forms a wide pattern on the open floor at low to medium heights. This allows more spacing between luminaires while still delivering the necessary footcandles for a specific application.

Performance Data

Luminaire Photometric Data

Model Number	EBXLE1-1-UNVL-90-50-K-X-X
Issue Date	06/03/2019
IESNA	LM-63-2002
Lamp	LED
Total Input Watts	481.0
Total Lumens	72,150
Efficacy	150 LPW
Spacing Criterion	0°-180° = 1.08 90°-270° = 1.18

Model	System Level Power ³	Delivered Lumens	Efficacy ³	CCT	L70 Calculate Life	L85 Calculate Life
EBXLE1-1-UNVL-X-50-C-X-X	101W	15,150	150 LPW	5000K	200,000 Hours	95,000 Hours
EBXLE1-1-UNVL-X-50-E-X-X	161W	24,150	150 LPW	5000K	200,000 Hours	93,000 Hours
EBXLE1-1-UNVL-X-50-F-X-X	201W	30,150	150 LPW	5000K	200,000 Hours	92,000 Hours
EBXLE1-1-UNVL-X-50-H-X-X	321W	48,150	150 LPW	5000K	198,000 Hours	91,000 Hours
EBXLE1-1-UNVL-X-50-J-X-X	401W	58,550	146 LPW	5000K	190,000 Hours	88,000 Hours
EBXLE1-1-UNVL-X-50-K-X-X	481W	72,150	150 LPW	5000K	190,000 Hours	88,000 Hours

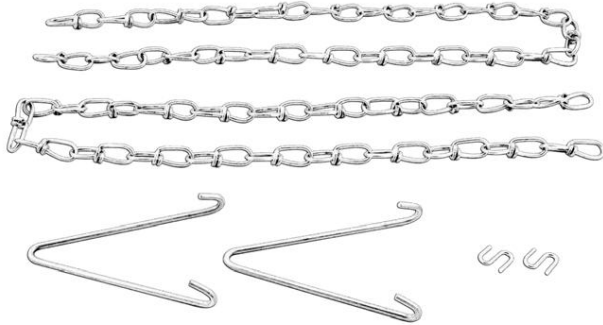
3. Measured at 277VAC

ExsaBay® XLE

High Bay LED Luminaire



Mounting



(2) 40" Chains and V-Hooks
Suspension Mounting (Included)



EBXLE1-PM Pendant Mounting Kit
Accessory (Sold Separately)

30200 - 20 ft. Aircraft Cable Mounting Kit

30202 - 10 ft. Aircraft Cable Mounting Kit

(Sold Separately)



EBXLE1-WG-1 - Type C Wire Guard

EBXLE1-WG-2 - Type E Wire Guard

EBXLE1-WG-3 - Type H/J Wire Guard

EBXLE1-WG-4 - Type K Wire Guard

(Sold Separately)

