

INTRODUCING THE TDK LED TROFFER KIT



The TDK retrofit kit easily and efficiently converts existing fluorescent troffers to LED technology. The LED technology ensures long-term performance and will reduce energy consumption. By utilizing the existing fixture housing, the lensed kit comes completely assembled right out of the box to quickly perform the change out in minutes without disturbing the ceiling.

PRODUCT FEATURES

- Completely assembled as a lensed kit to easily convert an existing fluorescent troffer to LED without disturbing the ceiling.
- Available in 2x2 or 2x4 models.
- Designed for 1" wide T-bars.
- Available with Bluetooth lighting controls and dynamic tunable white technology.

BEAUTIFULLY DESIGNED
WITH PERFORMANCE AND
INSTALLATION IN MIND



USLED[™]
Always the Right Choice!

AVAILABLE WITH
**SMART
BLU**[™]

PRODUCT PERFORMANCE SUMMARY

Lumen Output	Up to 4,110 lumens
Efficacy	Up to 141 LPW
CRI	≥ 80 CRI
Available CCT	3500K, 4000K, 5000K, or Tunable White (2700K-6500K)

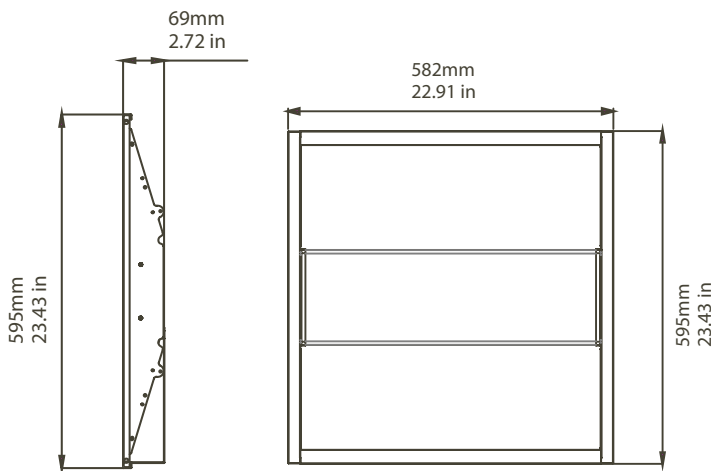
PRODUCT APPLICATIONS

- Classrooms
- Conference Rooms
- Office Spaces
- Hallways/Corridors
- Industrial/Warehouses
- Convenience Stores
- Retail Areas
- Hospitals
- Health Care Facilities
- Commercial Spaces



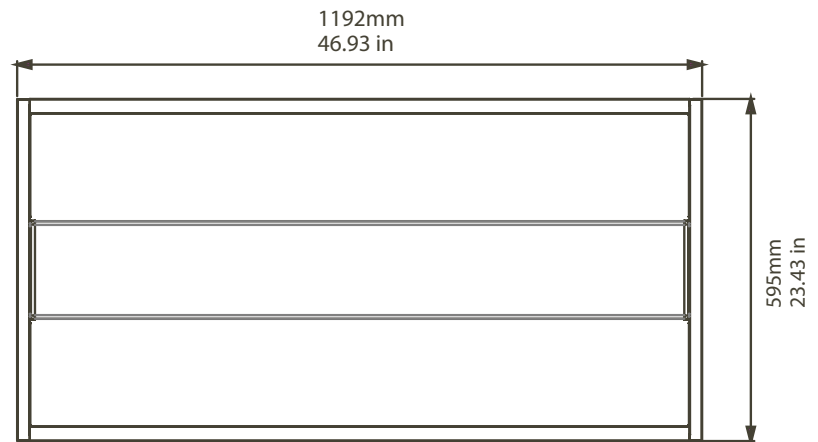
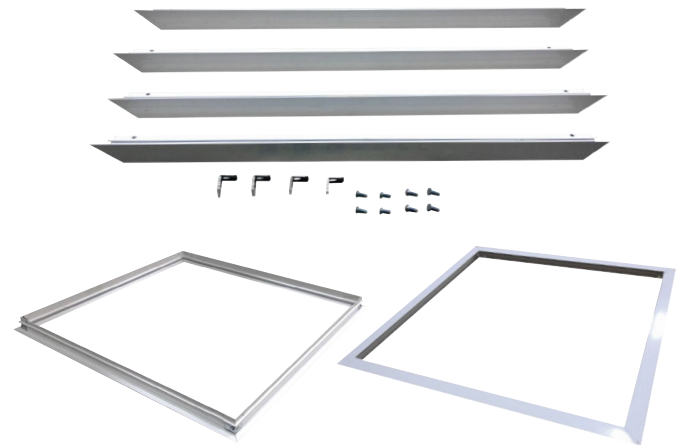
SURFACE MOUNT KIT ACCESSORY

Surface mount kits allow for US LED's TDK recessed lighting solution to be field installed in plenum-less spaces. Designed for use on the surface of drywall or concrete ceilings.



DRY WALL FLANGE KIT ACCESSORY

Drywall flange kits act as T-Bar frames to support recessed troffer luminaires in wood, drywall, or plaster ceilings. From the room side, flange kits mimic the appearance of T-Bars in a baked white enamel finish.



Simple, Affordable, and Effective
Bluetooth Lighting Control
iOS and Android Compatible APP

