

ARC1

Outdoor LED Architectural Round Canopy



Key Features

- Energy-efficient LED luminaire designed for canopy and soffit applications.
- Best-in-class LED technology provides uniform illumination with no dead spots.
- Architecturally pleasing, slim form factor that easily integrates into any site.
- Select correlated color temperature (CCT) in the field.

Electrical

- 120-277VAC. 0-10V dimming standard.
- Operating temperature: -40°C to +45°C (-40°F to +113°F)

Mounting

- Integral hardware designed to facilitate surface mounting over existing holes meant for recessed cans.
- Size 15" fits up to 9" hole. Size 19" fits up to 15" hole. For 11" holes consult factory.

Construction

- Housing is constructed from cold rolled steel and painted with a standard white powder coat finish.
- Powder coat finish designed to withstand harsh environments and optimize thermal management.
- Frosted acrylic lens cover is designed to maximize illumination and minimize glare.

Optics

- Industry leading LEDs with selectable CCT: 3000K, 3500K, 4000K, and 5000K CCT (minimum 80 CRI).

Warranty

- Backed by US LED's Five-Year warranty.

Project	Date
---------	------

Catalog Number	Type
----------------	------

Product Performance Summary

Lumen Output	Up to 3,100 lumens
Efficacy	Up to 120 LPW
CRI	≥ 80 CRI
Available CCT	Selectable CCT: 3000K, 3500K, 4000K & 5000K
Warranty	Five-Year Warranty

Product Overview

The ARC LED is a sleek, energy-efficient canopy that's been engineered to adapt to virtually any exterior application. Both versatile and attractive, the ARC LED can easily blend into any site as if it was already a part of the existing architectural plan. This low-profile luminaire is available in two sizes for replacing a variety of legacy lighting and will provide years of maintenance-free illumination.

Product Applications

- Canopies/Soffits
- Covered Walkways
- Building Entrances
- Educational Facilities
- Business Campuses
- Industrial Facilities
- Retail Stores
- Commercial Exteriors

Product Certifications/Approvals

- ETL Listed.
- Complies with UL 1598 and CSA 22.2
- Energy Star Certified
- Suitable for Damp Locations
- RoHS Compliant



Ordering Information

Example: ARC1-1-15-UNVL-20-T

Series	Variant	Size	Input Voltage	Input Power	CCT
ARC1					
1	Standard	15 15"	UNVL 120-277V	20 20W	30 3000K
		19 19"		24 24W	35 3500K
					40 4000K
					50 5000K
					T Tunable White 3000K-5000K

Power Combinations

Size	Input Power
15"	20W
19"	24W

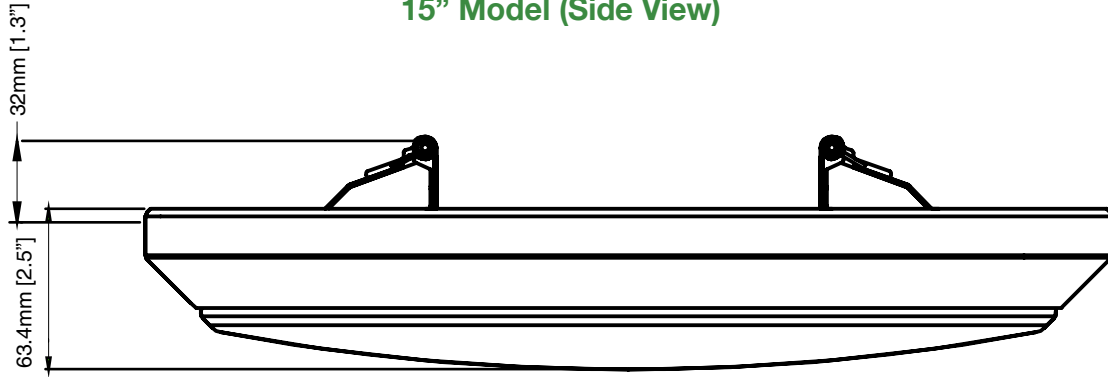
1. Product 'Lifetimes' refer only to the LED light engine, not the power source, and are based on the Illuminating Engineering Society's TM21 Projected Lumen Maintenance methodology at a 25°C / 77°F ambient temperature. The lifetimes are solely meant to be a guide for expected LED degradation and not a warranty or predictive of their actual life, which can be affected by ambient temperatures and other factors.

ARC1

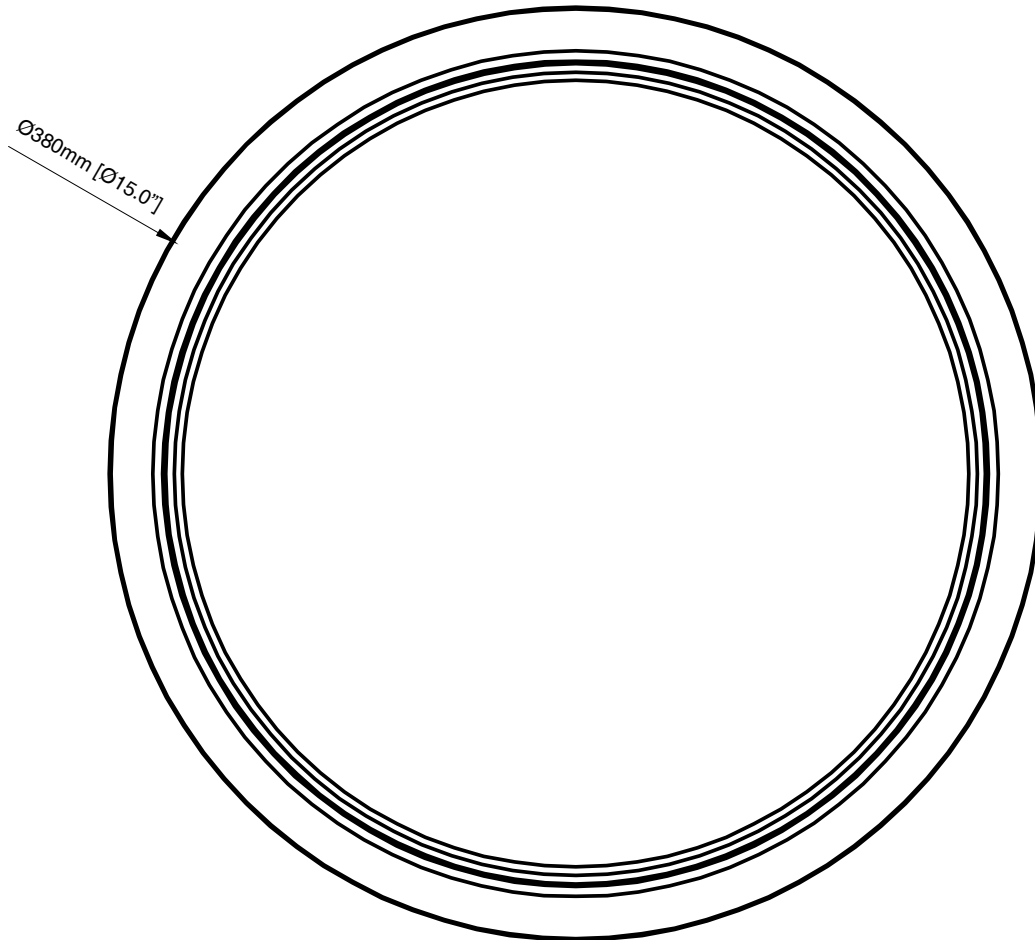
Outdoor LED Architectural Round Canopy

Dimensions

15" Model (Side View)



15" Model (Bottom View)



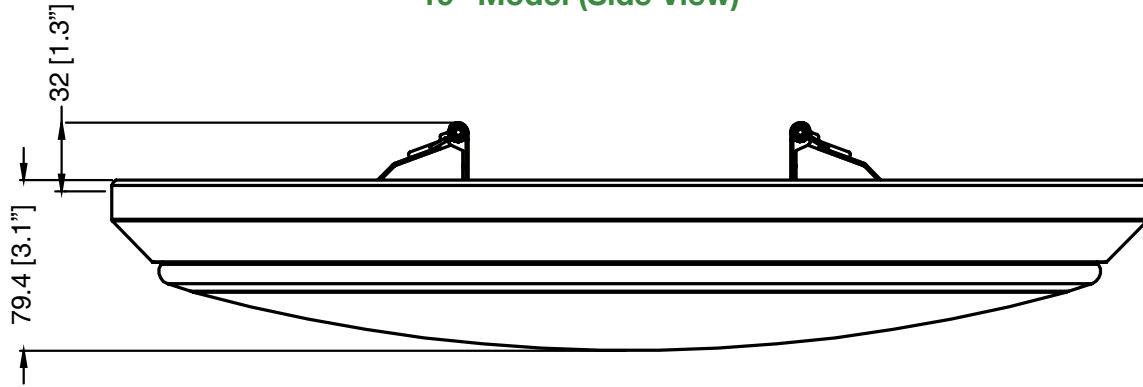
Model	Net Weight	Dimensions
20W	3.5 lbs. (1.6kg)	15.0" x 2.60"

ARC1

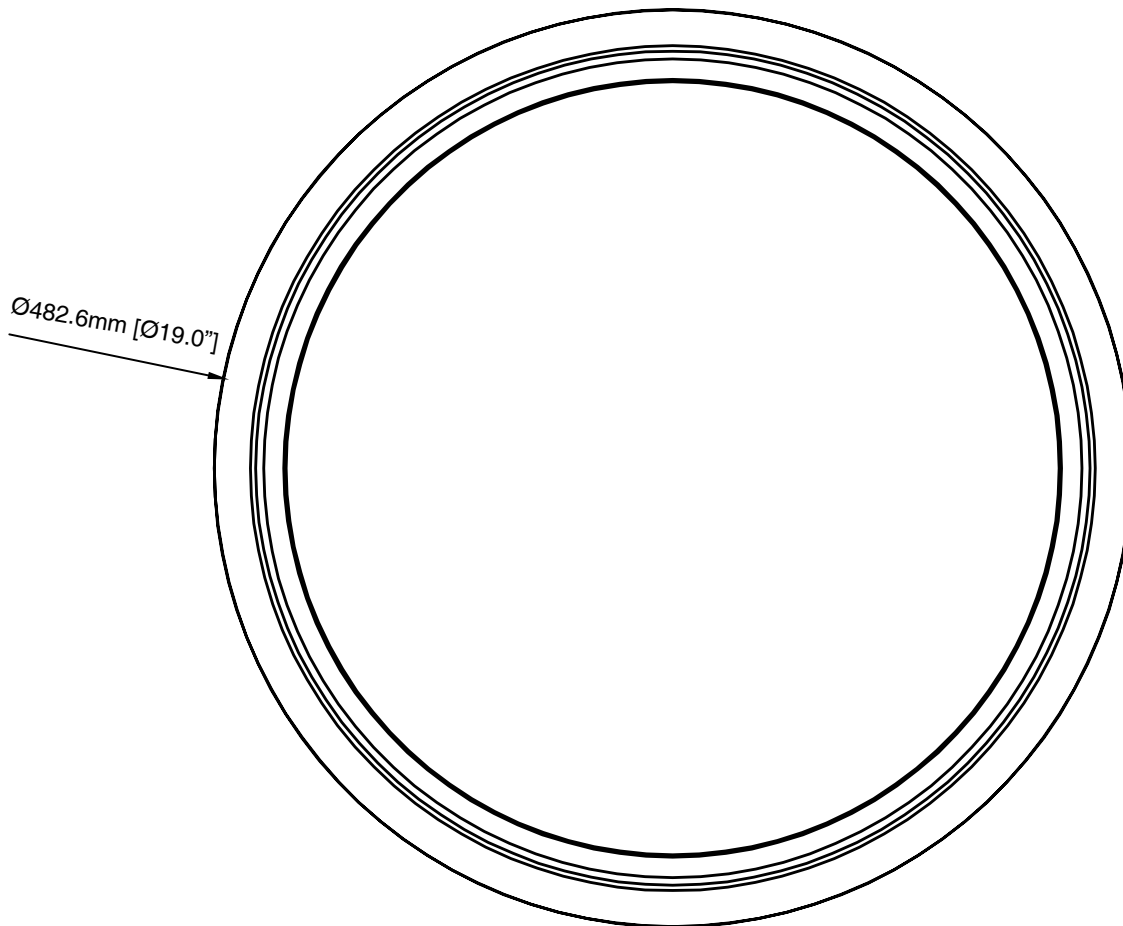
Outdoor LED Architectural Round Canopy

Dimensions

19" Model (Side View)



19" Model (Bottom View)



Model	Net Weight	Dimensions
24W	5.5 lbs. (2.5kg)	19.0" x 3.25"

ARC1

Outdoor LED Architectural Round Canopy



Performance Data

Model	System Level Power	Delivered Lumens	Efficacy	CCT	L70 Calculated Life	L85 Calculated Life
ARC1-1-15-UNVL-20-30	20.0W	2,370	118.5 LPW	3000K	>200,000 Hours	109,000 Hours
ARC1-1-15-UNVL-20-35	20.0W	2,400	120.0 LPW	3500K	>200,000 Hours	109,000 Hours
ARC1-1-15-UNVL-20-40	20.0W	2,400	120.0 LPW	4000K	>200,000 Hours	109,000 Hours
ARC1-1-15-UNVL-20-50	20.0W	2,400	120.0 LPW	5000K	>200,000 Hours	109,000 Hours
ARC1-1-19-UNVL-24-30	25.9W	2,960	114.0LPW	3000K	>200,000 Hours	109,000 Hours
ARC1-1-19-UNVL-24-35	25.9W	2,960	114.0 LPW	3500K	>200,000 Hours	109,000 Hours
ARC1-1-19-UNVL-24-40	25.9W	3,100	120.0 LPW	4000K	>200,000 Hours	109,000 Hours
ARC1-1-19-UNVL-24-50	25.9W	3,100	120.0 LPW	5000K	>200,000 Hours	109,000 Hours