

Atleta™ LED

Outdoor Sports Lighting



Key Features

- Combines superior performance and advanced thermal management in an appealing design.
- Excellent uniformity that accurately renders true colors on the sports field.
- Versatile mounting options provide operational flexibility for any outdoor installation.
- Additional intelligent lighting controls and monitoring capabilities available.

Electrical

- 120-277V or 277-480V available.
- 0-10V dimming standard.
- Operating temperature: -30°C to 50°C (-22°F to 122°F)

Mounting

- Direct surface mount or trunnion mount options available. ¹

Construction

- Rugged die-cast aluminum design protects integral components from harsh environments and optimizes thermal management.
- Housing is protected by a corrosion resistant powder coat finish.
- IP66 rated optics offer protection from outdoor conditions.
- LED driver is mounted in contact with the casting to assist low operating temperatures and maintain long life.

Optics

- Precision molded optics available in NEMA 2, NEMA 3, NEMA 4, & NEMA 5.
- Industry leading LEDs with 4000K, 5000K, and 5700K CCT (minimum 70 CRI).
- Lumen Maintenance: >50,000 Hours (L70). ²

Warranty

- Backed by US LED's Five-Year Warranty.

Project	Date
---------	------

Catalog Number	Type
----------------	------

Product Performance Summary

Lumen Output	Up to 106,814 lumens
Efficacy	Up to 169 LPW
CRI	≥ 70 CRI
Available CCT	4000K, 5000K & 5700K
Warranty	Five-Year Warranty

Product Overview

The Atleta™ LED sports & flood light will give you the game-changing performance you need to professionally illuminate any sports venue. With multiple NEMA optics and mounting options, you'll get the light exactly where it's needed the most - right in the middle of the action! If you are ready for the next level of athletic performance, there are additional intelligent lighting controls available.

Product Applications

- University Arenas
- Collegiate Arenas
- Pro Arenas
- Sports Fields
- Tennis Courts
- Gymnasiums
- Field Houses
- Race Tracks
- Recreation Areas
- Security Lighting

Product Certifications

- ETL Listed
- Complies with UL1598 and CSA C22.2
- Suitable for Wet Locations
- IP66 Rated Enclosure
- RoHS Compliant



Ordering Information

Example: ASL1-750-UNVH-57-5-BK-Z1-D0

ASL1	Series	Model	Input Voltage	CCT	Optics	Finish	Mounting
	300	300W	UNVL 120-277V	40 4000K	2 NEMA 2	BK Black	Z1 Trunnion
	450	450W	UNVH 277-480V	50 5000K	3 NEMA 3		Z2 Direct Mount
	550	550W		57 5700K	4 NEMA 4		
	750	750W			5 NEMA 5		

Control Accessories
D0 Standard
D1 Aiming Laser
D2 Intelligent Control
D3 DMX

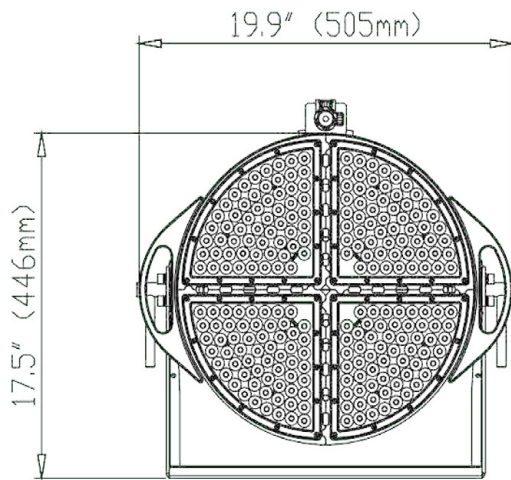
1. Mounting included in the luminaire pricing.
 2. US LED product 'Lifetimes' refer only to the LED light engine, not the power source, and are based on the Illuminating Engineering Society's TM21 Projected Lumen Maintenance methodology at a 25° C / 77° F ambient temperature. The lifetimes are solely meant to be a guide for expected LED degradation and not a warranty or predictive of their actual life, which can be affected by ambient temperatures and other factors.

Atleta™ LED

Sports & Flood Lighting

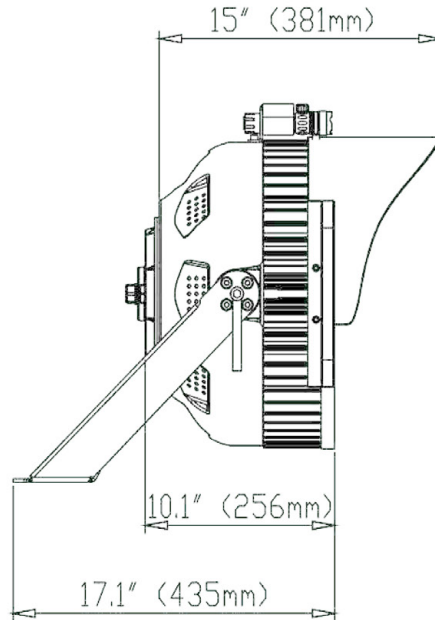
Dimensions

Front View

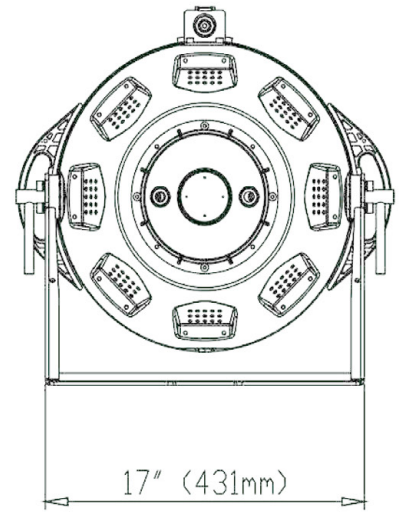


Net Weight	EPA Rating
42.0 lbs. (19.0kg)	1.65 (sq. ft.)

Side View



Back View



Mounting

Trunnion Mount

[Option Z1]

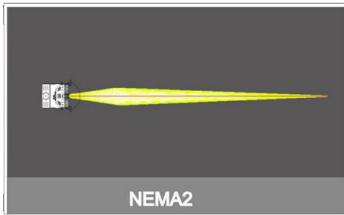


Direct Surface Mount

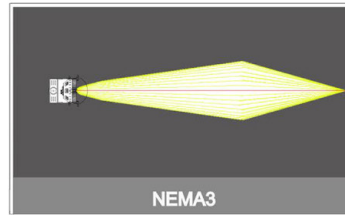
[Option Z2]



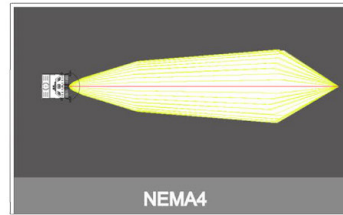
Optical Distributions



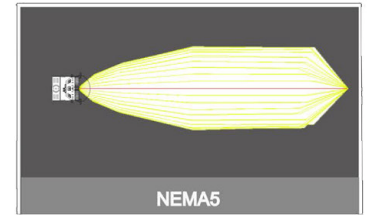
Beam Spread: 18°-29°
Narrow Spot



Beam Spread: 29°-46°
Medium Narrow Spot



Beam Spread: 46°-70°
Medium Flood



Beam Spread: 70°-100°
Medium Wide Flood

Performance Data

Model	System Power	Delivered Lumens	Efficacy	CCT	L70 Calculate Life
ASL1-300-UNVL-50-2-BK	296.6 W	45,331	153 LPW	5000K	>50,000 Hours
ASL1-300-UNVL-50-3-BK	302.3 W	49,969	165 LPW	5000K	>50,000 Hours
ASL1-300-UNVL-50-4-BK	302.3 W	49,679	164 LPW	5000K	>50,000 Hours
ASL1-300-UNVL-50-5-BK	302.3 W	51,010	169 LPW	5000K	>50,000 Hours
ASL1-450-UNVL-50-2-BK	445.5 W	62,952	141 LPW	5000K	>50,000 Hours
ASL1-450-UNVL-50-3-BK	452.7 W	70,922	157 LPW	5000K	>50,000 Hours
ASL1-450-UNVL-50-4-BK	452.7 W	71,266	157 LPW	5000K	>50,000 Hours
ASL1-450-UNVL-50-5-BK	452.7 W	69,158	153 LPW	5000K	>50,000 Hours
ASL1-550-UNVL-50-2-BK	539.9 W	71,559	133 LPW	5000K	>50,000 Hours
ASL1-550-UNVL-50-3-BK	550.3 W	84,569	154 LPW	5000K	>50,000 Hours
ASL1-550-UNVL-50-4-BK	539.5 W	83,982	156 LPW	5000K	>50,000 Hours
ASL1-550-UNVL-50-5-BK	552.2 W	82,439	149 LPW	5000K	>50,000 Hours
ASL1-750-UNVL-50-2-BK	725.8 W	90,412	125 LPW	5000K	>50,000 Hours
ASL1-750-UNVL-50-3-BK	738.5 W	106,025	144 LPW	5000K	>50,000 Hours
ASL1-750-UNVL-50-4-BK	739.3 W	106,814	144 LPW	5000K	>50,000 Hours
ASL1-750-UNVL-50-5-BK	739.3W	106,733	144 LPW	5000K	>50,000 Hours