

# QubePAK® Regal 3

## Architectural Outdoor LED Wall Pack



### Key Features

- Modern LED replacement for traditional fluorescent or HID fixtures.
- Elegant yet rugged construction effortlessly integrates with existing architecture.
- Adjustable, full-cutoff design with a tilt mechanism that allows for precise aiming.
- Night sky friendly: eliminates light pollution and minimizes glare.

### Electrical

- 120-277VAC 0-10V dimming standard. <sup>2</sup>
- System power factor >90% and THD <20%.
- Operating temperature: -40°C to 40°C (-40°F to 104°F)

### Mounting

- Luminaire is ready to be surface mounted.

### Construction

- Robust die-cast aluminum housing protects integral components from harsh environments and optimizes thermal management.
- Housing is protected by a corrosion resistant bronze powder coat finish.
- IP65 rated enclosure prevents intrusion from environmental elements that could degrade performance.

### Optics

- Type II or Type IV optical distribution.
- Industry-leading LEDs with 3000K, 4000K, and 5000K CCT (minimum 70 CRI).
- Lumen Maintenance: 100,000 hours (L70) <sup>1</sup>

### Warranty

- Backed by US LED's industry-leading Ten-Year Warranty.

### Ordering Information

| Series | Input Voltage | Power               | Optics   | CCT      | Finish    | Accessories  |
|--------|---------------|---------------------|----------|----------|-----------|--------------|
| WPR3   |               |                     |          |          |           |              |
| UNVL   | 120-277V      | 37 37W <sup>2</sup> | 2 Type 2 | 30 3000K | BZ Bronze | PC Photocell |
|        |               | 58 58W              | 4 Type 4 | 40 4000K |           |              |
|        |               | 70 70W              |          | 50 5000K |           |              |
|        |               | 100 100W            |          |          |           |              |

| Project | Date |
|---------|------|
|---------|------|

| Catalog Number | Type |
|----------------|------|
|----------------|------|

### Product Performance Summary

|               |                      |
|---------------|----------------------|
| Lumen Output  | Up to 14,007 lumens  |
| Efficacy      | Up to 142 LPW        |
| CRI           | ≥ 70 CRI             |
| Available CCT | 3000K, 4000K & 5000K |
| Warranty      | Ten-Year Warranty    |

### Product Overview

The Qube®PAK Regal 3 LED wall pack is designed to easily integrate into any existing architecture and provide superior illumination. With two optical distributions, the QubePAK Regal 3 provides a complete site-wide solution for commercial exterior applications. Its elegant aesthetics combined with first-class performance make it a popular choice with specifiers and lighting designers.

### Product Applications

- Perimeter Areas
- Building Exteriors
- Security Lighting
- Wall Washing
- Parking Lots
- Educational Facilities
- Business Campuses
- Industrial Facilities
- Mall/Retail Exteriors
- General Lighting

### Product Certifications/Approvals

- UL Listed
- Complies with UL1598 and CSA C22.2
- DLC Listed
- Suitable for Wet Locations
- IP65 Rated Enclosure
- RoHS Compliant



Example: WPR3-UNVL-37W-2-50-BZ

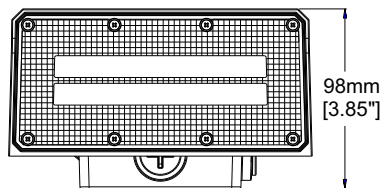
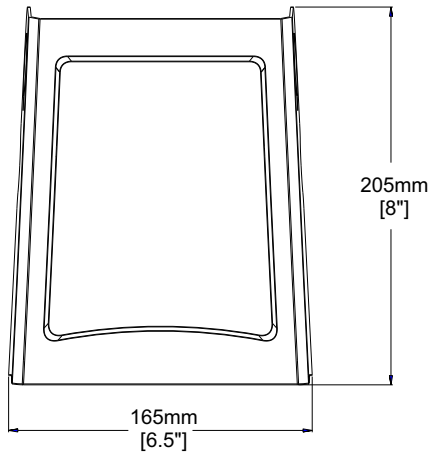
1. US LED product 'Lifetimes' refer only to the LED light engine, not the power source, and are based on the Illuminating Engineering Society's TM21 Projected Lumen Maintenance methodology at a 25° C / 77° F ambient temperature. The lifetimes are solely meant to be a guide for expected LED degradation and not a warranty or predictive of their actual life, which can be affected by ambient temperatures and other factors.  
2. 37W model is non-dimmable.

# QubePAK Regal3

## Architectural Outdoor LED Wall Pack

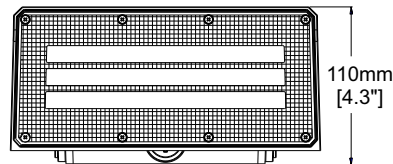
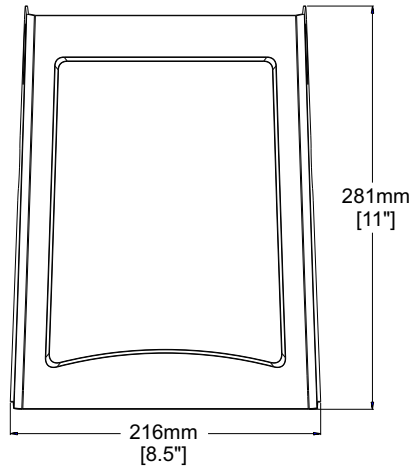
### Dimensions

**37W Model**



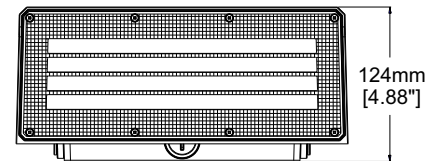
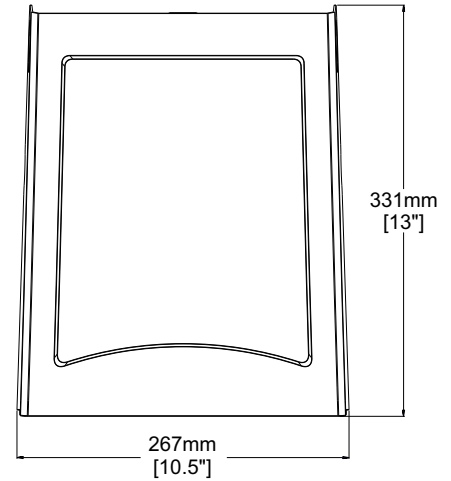
| Model | Net Weight        |
|-------|-------------------|
| 37W   | 2.87 lbs. (1.3kg) |

**58W Model**



| Model | Net Weight        |
|-------|-------------------|
| 58W   | 4.63 lbs. (2.1kg) |

**70-100W Models**



| Model   | Net Weight        |
|---------|-------------------|
| 70-100W | 5.95 lbs. (2.7kg) |

### Performance Data

| Model                        | Available CCT     | System Level Power | Delivered Lumens | Efficacy | L70 Calculate Life |
|------------------------------|-------------------|--------------------|------------------|----------|--------------------|
| <b>WPR3-UNVL-37-X-XX-BZ</b>  | 3000K/4000K/5000K | 37.1W              | 4,701            | 126 LPW  | 100,000 Hours      |
| <b>WPR3-UNVL-58-X-XX-BZ</b>  | 3000K/4000K/5000K | 58.4W              | 7,695            | 132 LPW  | 100,000 Hours      |
| <b>WPR3-UNVL-70-X-XX-BZ</b>  | 3000K/4000K/5000K | 71.8W              | 10,201           | 142 LPW  | 100,000 Hours      |
| <b>WPR3-UNVL-100-X-XX-BZ</b> | 3000K/4000K/5000K | 104.5W             | 14,007           | 134 LPW  | 100,000 Hours      |