

L-Trim SOL XLE2 Select

LED High Output Downlight | Selectable Wattage & CCT



Key Features

- Versatile LED downlight engineered projects needing high lumen output.
- Selectable switch for wattage and CCT.
- Diffused lens helps to provide comfortable, uniform light distribution.
- Suitable for use in outdoor wet locations.

Electrical

- 120-277VAC 50/60Hz input.
- 1-10V dimming standard.
- Power factor: >0.90 and THD <20%.
- Operating temperature: -20°C to 40°C (-4°F to 104°F).

Mounting

- Mounts directly recessed into the ceiling with integrated spring action clips.

Construction

- Die-cast aluminum and polycarbonate housing offers a deep baffle configuration.
- Includes integrated singular trim ring in a white matte finish.
- Includes pre-installed flex conduit lead.
- Frosted plastic lens reduces glare.

Optics

- Industry-leading LEDs with selectable CCT via switch in the field: 3000K, 4000K, and 5000K CCT (minimum 90 CRI).
- Two interchangeable beam angles: 50°/70° for 6 in. and 40°/60° for 8 in.
- Lumen Maintenance: ≥ 50,000 hours (L70) ¹

Warranty

- Backed by US LED's industry-leading Ten-Year Warranty.

Ordering Information

| Series | Size | Input Voltage | Variant | Selectable CCT | Trim Color |
|-----------|----------|---------------------|-------------------|---|-----------------|
| LTR5 | | | | | |
| 6R | 6" Round | UNV 120-277V | 1 Standard | SCCT Selectable CCT: 3000K, 4000K, & 5000K | WH White |
| 8R | 8" Round | | | | |

Example: **LTR5-6R-UNV-1-SCCT-WH**

| Accessories |
|--------------------------|
| NCK1 Rough-In Kit |

| Project | Date |
|---------|------|
|---------|------|

| Catalog Number | Type |
|----------------|------|
|----------------|------|

Product Performance Summary

| | |
|----------------------|---------------------------------------|
| Lumen Output | Up to 6,200 lumens |
| Efficacy | Up to 108 LPW |
| CRI | ≥ 90 CRI |
| Available CCT | Selectable CCT: 3000K, 4000K, & 5000K |
| Warranty | Ten-Year Warranty |

Product Overview

The L-Trim SOL XLE2 Select is an all-in-one LED downlight solution that delivers both value and performance for projects needing high lumen output. It comes standard with selectable wattage and CCT allowing for in-the-field customization. The L-Trim SOL XLE2 Select is an ideal LED lighting solution for auto dealerships, restaurants, retail, healthcare, educational facilities, and other commercial applications.

Product Applications

- Auto Dealerships
- Restaurants
- Office Spaces
- Conference Rooms
- Hallways/Corridors
- Hospitality
- Healthcare
- Retail Areas

Product Certifications

- ETL Listed
- Complies with UL1598 and CSA 22.2
- Suitable for Wet Locations
- Energy Star Certified
- RoHS Compliant



¹. US LED product 'Lifetimes' refer only to the LED light engine, not the power source, and are based on the Illuminating Engineering Society's TM21 Projected Lumen Maintenance methodology at a 25° C / 77° F ambient temperature. The lifetimes are solely meant to be a guide for expected LED degradation and not a warranty or predictive of their actual life, which can be affected by ambient temperatures and other factors.

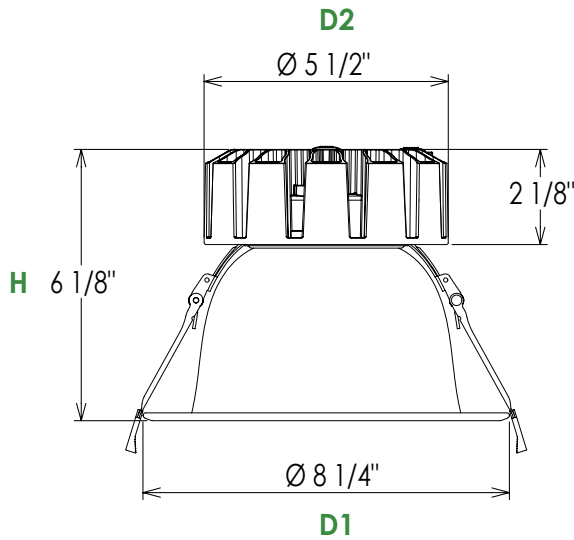
L-Trim SOL XLE2 Select

LED High Output Downlight | Selectable Wattage & CCT

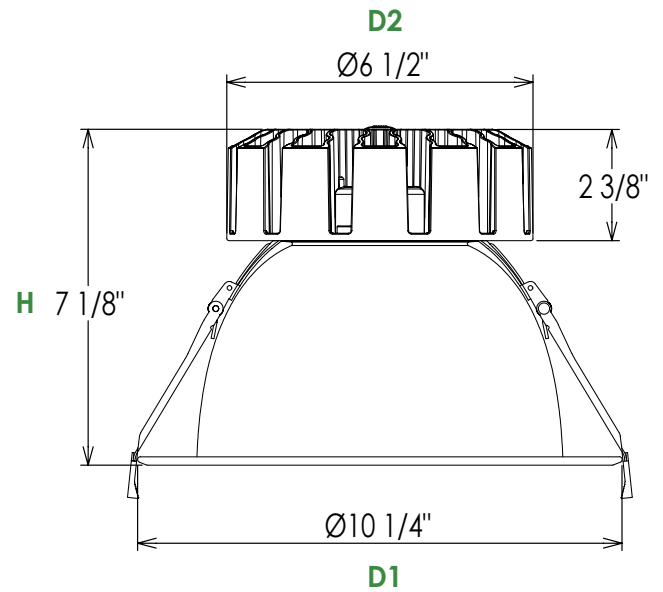


Dimensions

| Diameter Size | D1 | D2 | H | Cut-Out | | Net Weight |
|---------------|--------|--------|--------|-----------|----------|--------------------|
| | | | | Min. | Max. | |
| 6" Round | 8 1/4" | 5 1/2" | 6 1/8" | ø 6 5/16" | ø 7 1/2" | 3.48 lbs. (1.58kg) |



| Diameter Size | D1 | D2 | H | Cut-Out | | Net Weight |
|---------------|---------|--------|--------|-----------|----------|--------------------|
| | | | | Min. | Max. | |
| 8" Round | 10 1/4" | 6 1/2" | 7 1/8" | ø 8 1/16" | ø 9 1/2" | 4.21 lbs. (1.91kg) |



Performance Data

| Model | Diameter Size | System Level Power | Delivered Lumens | Efficacy | Adjustable CCT | L70 Calculated Life |
|-----------------------|---------------|--------------------|------------------|----------|-------------------|---------------------|
| LTR5-6R-UNV-1-SCCT-WH | 6" Round | 20.0W | 2,200 | 110 LPW | 3000K/4000K/5000K | ≥ 50,000 Hours |
| LTR5-6R-UNV-1-SCCT-WH | 6" Round | 30.0W | 3,200 | 107 LPW | 3000K/4000K/5000K | ≥ 50,000 Hours |
| LTR5-6R-UNV-1-SCCT-WH | 6" Round | 41.5W | 4,500 | 108 LPW | 3000K/4000K/5000K | ≥ 50,000 Hours |
| LTR5-8R-UNV-1-SCCT-WH | 8" Round | 40.0W | 4,300 | 108 LPW | 3000K/4000K/5000K | ≥ 50,000 Hours |
| LTR5-8R-UNV-1-SCCT-WH | 8" Round | 50.0W | 5,250 | 105 LPW | 3000K/4000K/5000K | ≥ 50,000 Hours |
| LTR5-8R-UNV-1-SCCT-WH | 8" Round | 60.0W | 6,200 | 103 LPW | 3000K/4000K/5000K | ≥ 50,000 Hours |