

# VaporStar

## Vapor Tight Enclosed LED Light



### Key Features

- Enclosed and gasketed luminaire that utilizes highly-efficient LED technology.
- Gasket and cam latches seal the enclosure, making it weather resistant and corrosion free for wet locations.
- Knockouts and end plugs provided for easy wiring access in the field.

### Electrical

- 120-277VAC 50/60Hz input.
- 0-10V dimming standard.
- Power factor: >0.90 and THD <20%.
- Operating temperature: -40°C to 40°C (-40°F to 104°F).

### Mounting

- Ready to be surface mounted, pendant mounted or safety chain hung.
- Ideal mounting height of 12 to 25 feet.

### Construction

- Gray housing and opal lens is impact-resistant polycarbonate for durability and reliability.
- (8) Stainless steel cam latches standard.
- IP65 rated enclosure prevents intrusion from environmental elements that could degrade performance.

### Optics

- Industry-leading LEDs with 5000K CCT (minimum 80 CRI).
- Lumen Maintenance: >161,000 hours (L70).<sup>1</sup>

### Warranty

- Backed by US LED's Five-Year Warranty.

|         |      |
|---------|------|
| Project | Date |
|---------|------|

|                |      |
|----------------|------|
| Catalog Number | Type |
|----------------|------|

### Product Performance Summary

|               |                    |
|---------------|--------------------|
| Lumen Output  | Up to 7,040 lumens |
| Efficacy      | Up to 130 LPW      |
| CRI           | ≥ 80 CRI           |
| Available CCT | 5000K              |
| Warranty      | Five-Year Warranty |

### Product Overview

The VaporStar is a low-profile, linear LED luminaire that's designed for industrial use. Engineered for durability and reliability in wet locations, the VaporStar features an impact-resistant polycarbonate housing and lens. In addition, this enclosed and gasketed linear luminaire is designed to be weather resistant, corrosion-free, and easy to clean or service. As a result, the VaporStar is the ideal choice for industrial or manufacturing areas, refrigeration, parking garages, and other commercial and industrial applications.

### Product Applications

- Parking Garages
- Refrigeration/Freezers
- Manufacturing/Industrial
- Retail Centers
- Educational Facilities
- Business Campuses

### Product Certifications

- UL Listed
- CSA Listed
- NSF Certified
- Suitable for Wet Locations
- IP65 Rated Enclosure
- RoHS Compliant



### Ordering Information

Example: VTF-1-4-UNVL-40-2-50

| VTF1   |          |         |               |                     |                       |          |
|--------|----------|---------|---------------|---------------------|-----------------------|----------|
| Series | Variant  | Size    | Input Voltage | Power               | Driver                | CCT      |
| 1      | Standard | 4 4 ft. | UNVL 120-277V | 40 40W              | 2 iNFiNi Driver 0-10V | 50 5000K |
|        |          |         |               | 55 55W <sup>2</sup> |                       |          |

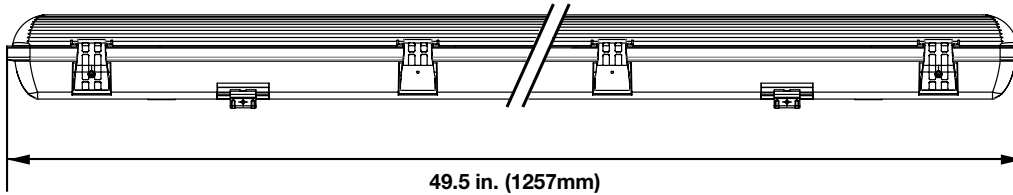
1. Product 'Lifetimes' refer only to the LED light engine, not the power source, and are based on the Illuminating Engineering Society's TM21 Projected Lumen Maintenance methodology at a 25° C / 77° F ambient temperature. The lifetimes are solely meant to be a guide for expected LED degradation and not a warranty or predictive of their actual life, which can be affected by ambient temperatures and other factors.

2. Additional lead time may apply for 55W model. Please consult factory.

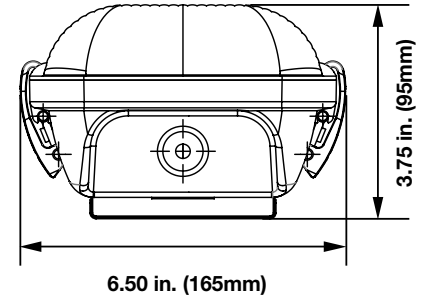
### Dimensions

| Net Weight        |
|-------------------|
| 7.0 lbs. (3.18kg) |

Side View



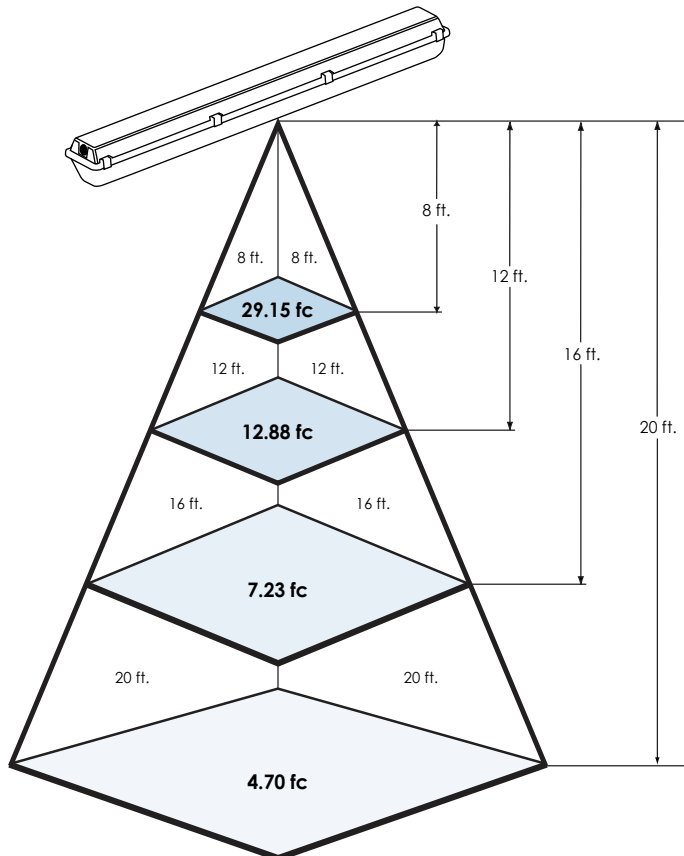
End View



### Performance Data

| Model                 | System Level Power | Delivered Lumens | Efficacy | CCT   | L70 Calculate Life | L85 Calculate Life |
|-----------------------|--------------------|------------------|----------|-------|--------------------|--------------------|
| VTF1-1-4-UNVL-40-2-50 | 40.0W              | 5,200L           | 130 LPW  | 5000K | 161,000 Hours      | 75,000 Hours       |
| VTF1-1-4-UNVL-55-2-50 | 55.0W              | 7,040L           | 128 LPW  | 5000K | 161,000 Hours      | 75,000 Hours       |

### Light Distribution



| Room Model      | Mounting Height | AVG.     | MAX.    | MIN.    |
|-----------------|-----------------|----------|---------|---------|
| 8 ft. x 8 ft.   | 8 ft.           | 29.15 fc | 34.6 fc | 24.0 fc |
| 12 ft. x 12 ft. | 12 ft.          | 12.88 fc | 15.8 fc | 9.7 fc  |
| 16 ft. x 16 ft. | 16 ft.          | 7.23 fc  | 9.00 fc | 5.20 fc |
| 20 ft. x 20 ft. | 20 ft.          | 4.70 fc  | 5.90 fc | 3.30 fc |

Illumination level calculations are of luminaires tested to IESNA LM-79 standards by an NVLAP® accredited facility and Illuminating Engineering Society standard practices. The performance of any US LED luminaire may vary based on varying application conditions.