

Decorative Emergency Unit

Emergency/Exit LED Lighting



Key Features

- Decorative low-profile architectural design.
- Long life, high performance white LEDs.
- 12W (2 LEDs x 6W) per unit.
- Can be used as a normally-ON or normally-OFF light as well as on a switched unit.
- Dissipates 1,286 lumens in AC mode and 350 lumens in EM mode.
- Photocell sensor included as standard for use as dusk-to-dawn light.

Construction

- Robust die-cast aluminum housing optimizes thermal management.
- Housing is protected by a standard, corrosion resistant dark bronze powder coat finish.
- Unit is sealed and gasketed to protect integral components from harsh environments.
- Mirror-bright reflector and prismatic polycarbonate refractor.
- Internal heater for extreme cold temperature applications: -30°C to 50°C (-22°F to 122°F).

Warranty

- Backed by a Five-Year Warranty.

Electrical

- Universal 120-277VAC voltage.
- Charge rate/power “ON” LED indicator light and push-to-test switch for mandated code compliance testing.
- 4.8V long life, maintenance-free, rechargeable NiCd battery.
- Internal solid-state transfer switch automatically connects the internal battery to LED board for minimum 90 minutes of emergency illumination.
- Fully automatic solid-state, two rate charger initiates battery charging to recharge a discharged battery in 24 hours.
- Self-diagnostic test feature continually diagnoses unit performance and tests system to ensure reliable operation.
- Field-selectable wiring allows for AC operation of unit to be controlled using a wall-switch, photocell, or any other switching mechanism.

Mounting

- Surface mount via easy connect back plate that fits most standard size junction boxes.
- Universal knockout pattern on back plate.
- Threaded opening at the top for conduit mount.

Product Overview

US LED’s decorative emergency unit is the perfect solution for projects requiring versatile emergency lighting. This emergency unit offers an ideal emergency operation with optimal spacing and light distribution.

Product Applications

- General Emergency Lighting

Product Certifications

- UL Listed
- Complies with UL924, NFPA 101 Life Safety Code, NEC, OSHA, Local and State Codes
- Suitable for Wet Locations
- RoHS Compliant



Example: **DBEL-ACEM-HL-BR-SDT-CW-PC**

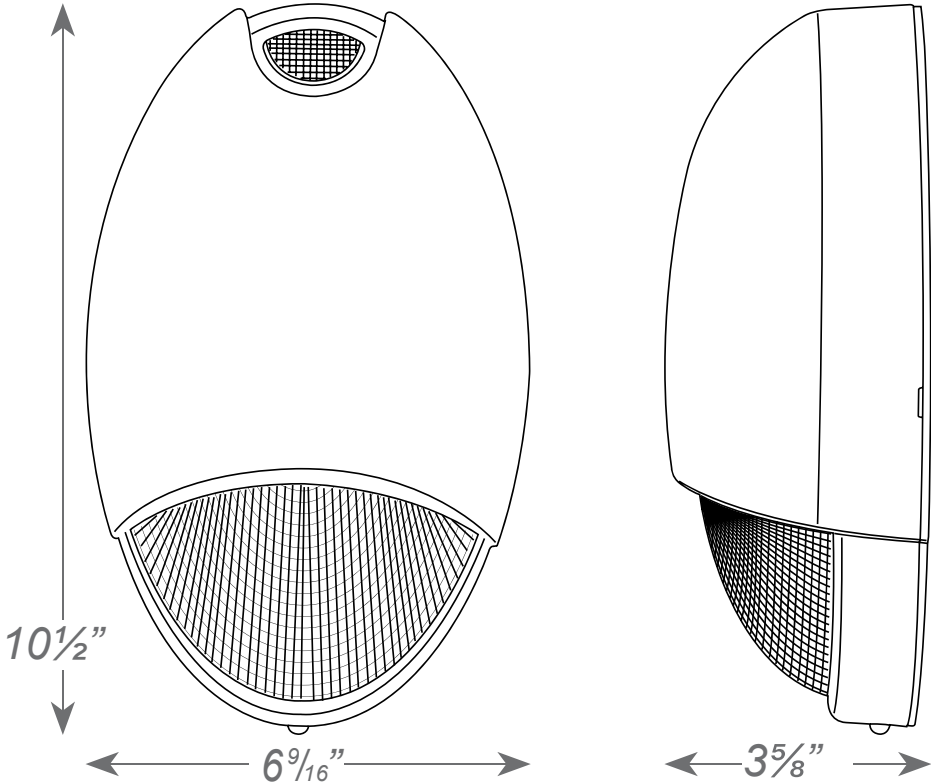
DBEL-ACEM-HL				
Series	Housing Finish	Self-Diagnostics	Cold Weather	Sensor
	BR Dark Bronze	SDT Self-Diagnostics Test Feature	CW Cold Weather Feature	PC Photocell Sensor

Decorative Emergency Unit

Emergency/Exit LED Lighting



Dimensions



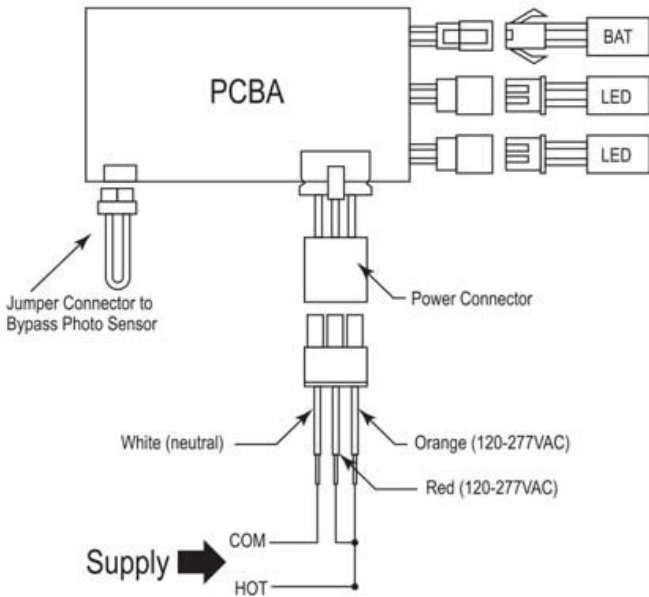
Decorative Emergency Unit

Emergency/Exit LED Lighting

Wiring Diagram

NORMALLY ON

Unit ON at all times.



NORMALLY OFF

Unit ON only in emergency mode.

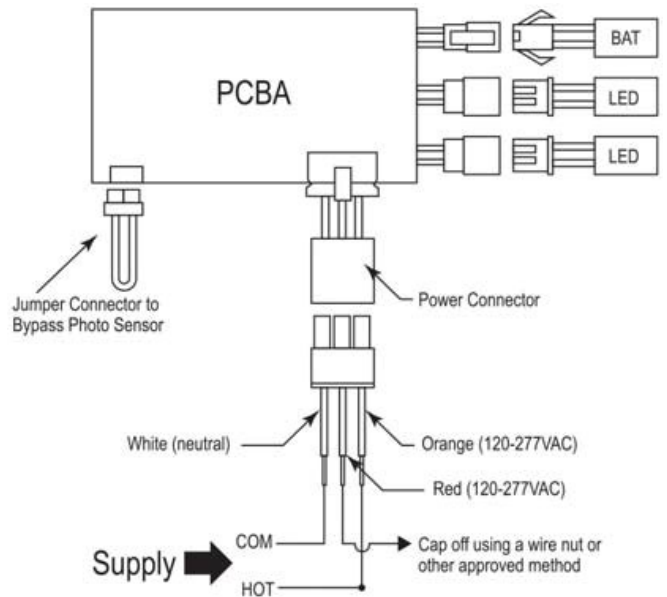
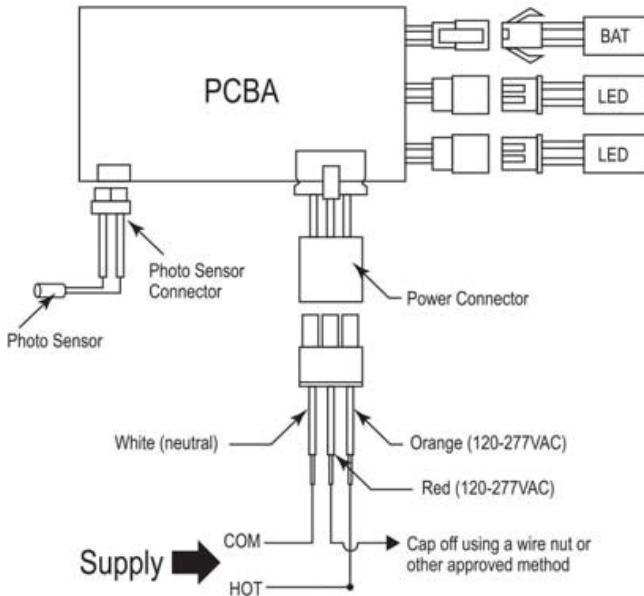


PHOTO SENSOR

Unit ON when there is not enough ambient light; will automatically switch to emergency mode during a power outage.



SWITCHED

Controlled operation in AC mode; will automatically switch to emergency mode during a power outage.

