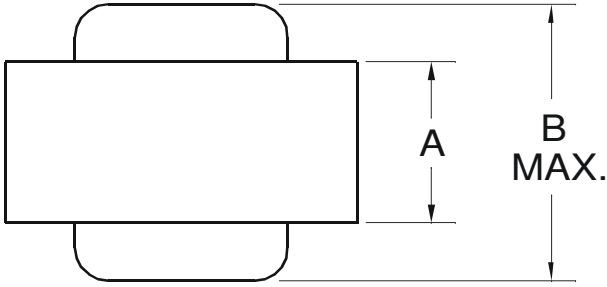
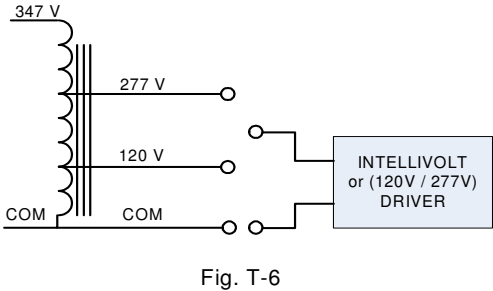
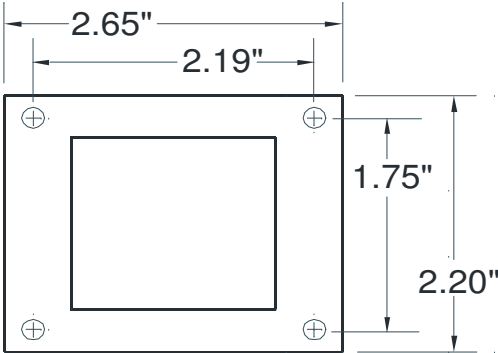



	<p><b>Step-down Transformer</b></p>	<p>Catalog Number: 71A9862-600                  Step-down Transformer                  347 : (120/277)                  Max VA Load: 395                  Status: RELEASED</p>
---	-------------------------------------	--

**DIMENSIONS AND DATA**

<p style="text-align: center;"><b>7/8 E-I Core</b></p> 	 <p style="text-align: center;">Fig. T-6</p>
--	--

<b>A Dimension</b>	<b>B Dimension</b>	<b>Input</b>	<b>Output</b>
2.7"	3.9"	347V	120V/277V
		0.92 A max.	395 VA Load max.

	
---	---

Data is based on tests performed by Philips Advance in a controlled environment and is representative of relative performance. Actual performance can vary depending on operating conditions. Specifications are subject to change without notice. All specifications are nominal unless otherwise noted.