



DIMENSIONS
L 11.8 x W 5.0 x H 6.1
Net Weight 4.4 lbs



WARNING

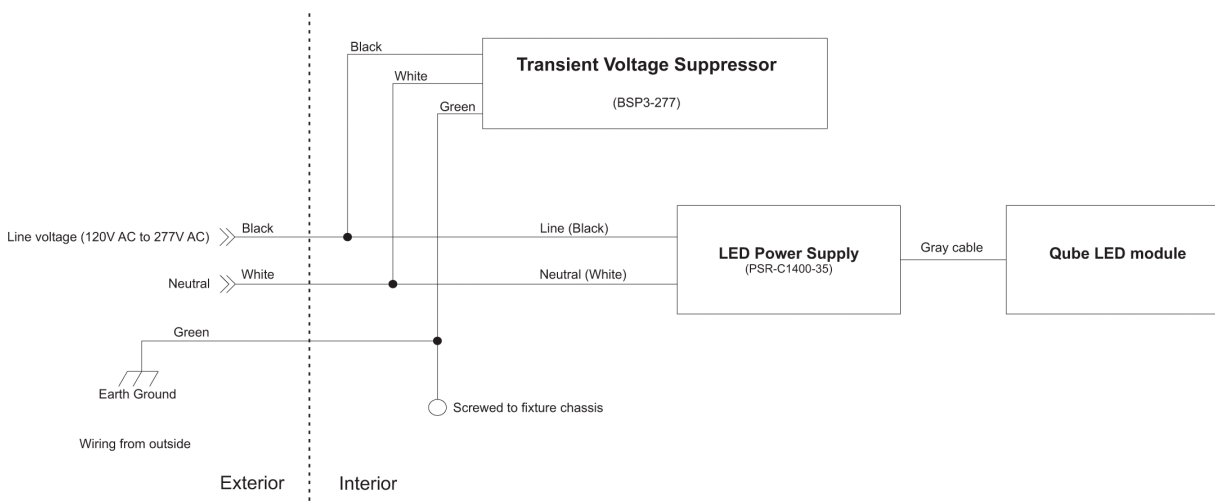
- The installation must only be performed by a licensed electrician.
- To prevent death, injury or damage to property this product must be installed in accordance to National Electric Code in the US or Canadian Electrical Code (CSA22.1) in Canada.
- Disconnect power before installing the product or servicing it.
- Wait until the lamp(s) have cooled down before installing or servicing the fixture.
- Make sure that the lamp fixture and surge arrestor are grounded.
- Modification to the VersaQube fixture voids its warrantee and UL Listing.

MOUNTING INSTRUCTIONS

1. Determine how the VersaQube fixture will be mounted either conduit or surface mount.
2. For conduit mounting remove desired knockout and use a 3/4" liquid tight conduit fitting to connect to and support the VersaQube.
3. For surface mounting remove knockout located on back surface of VersaQube. Using supplied 3/8" Neoprene gasket make a tight seal between mounting wall and area surrounding knockout. Affix VersaQube to mounting surface using #10 mounting screws through 4 mounting holes in VersaQube base.

WIRING INSTRUCTIONS

1. Turn off power to required circuit at the breaker.
2. Rotate fixture housing to a full open position by loosening 4 screws holding upper and lower housings together.
3. Remove small access cover (4 screws) on the top of lower housing.
4. Connect the ground wire (if present) to the green wire lead inside fixture and the green wire coming from the surge suppressor as required by national and local codes.
5. Connect the neutral wire to the white wire lead inside fixture as required by national and local codes.
6. Connect the line wire to the black lead inside fixture as required by national and local codes
7. Tuck all wires inside fixture.
8. Reattach small access cover ensuring that the 4 screws are tightened sufficiently to compress gasket.
9. Turn on power at breaker and verify that the VersaQube lights fully.



Specifications and dimensions subject to change without notice.

UPDATED 01.23.2012
44-000009